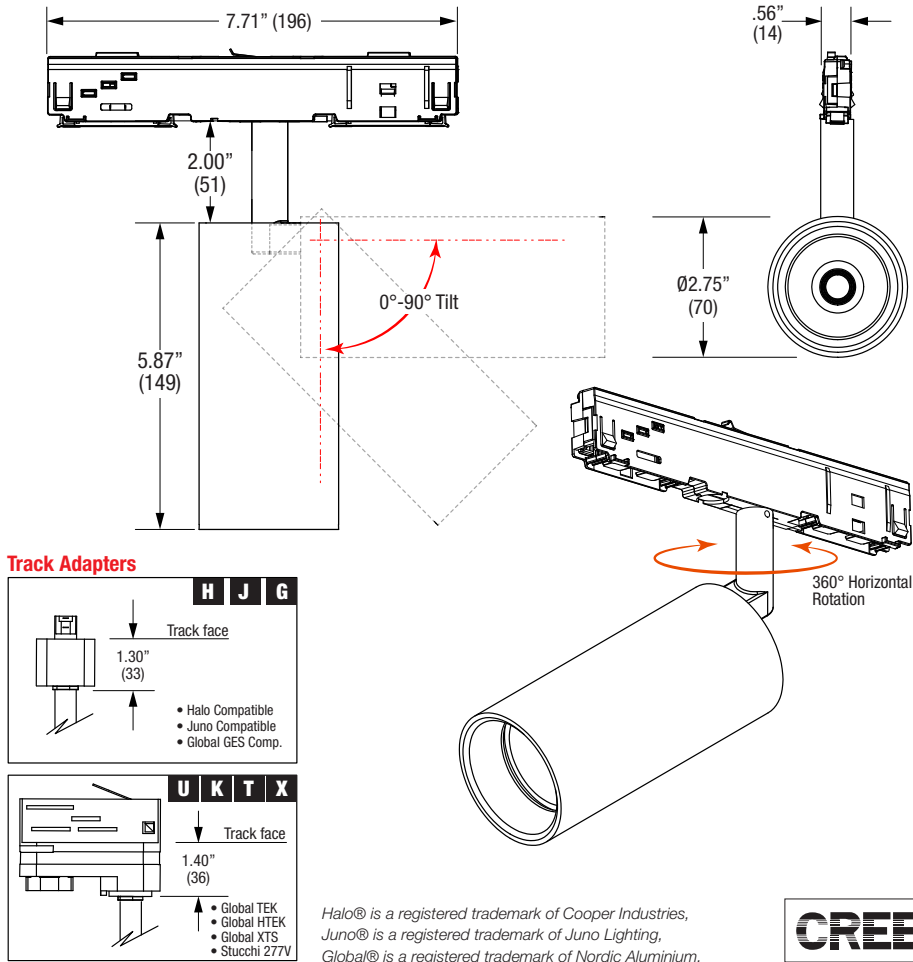


**LED INTEGRAL DRIVER SMALL**

PROJECT	TYPE	CATALOG NUMBER
---------	------	----------------

Measurements in ( ) are metric equivalents.



**Specifications**

**TRACKHEAD**

- 2.75" diameter cylinder shaped trackhead
- 0° - 90° vertical tilting / 360° horizontal rotation
- Constant friction
- Die cast aluminum housing
- LED optical grade reflector
- Powder coat finish

**LED SOURCE**

- CREE
- ValuDIM™ Warm dimming
- Field replaceable optics available
- Will accept 1 lens and 1 louver

**ELECTRICAL**

- Fully integral LED driver
- Various dimming options

**MOUNTING**

- Compatible with Halo®, Juno®, Global® GES track, Global® XTS track, Global® TEK track, Global® HTEK track & Stucchi®

**LABELS**

- Suitable for dry location



**ORDERING INFO** **QuikShip In RED - 10 pc Minimum - Consult factory for quantities of 100 or more**

SERIES	ADAPTER	WATTAGE	CRI / COLOR	BEAM	POWER SUPPLY	FINISH
<b>TRA19B</b> JULIE Trackhead Die-Cast Aluminum Adjustable Aim	<b>H</b> Halo® compatible*	<b>08C</b> 8W LED 801 lm del.	<b>8027</b> 80CRI / 2700K <b>8030</b> 80CRI / 3000K <b>8035</b> 80CRI / 3500K <b>8040</b> 80CRI / 4000K <b>9227</b> 92CRI / 2700K <b>9230</b> 92CRI / 3000K <b>9235</b> 92CRI / 3500K <b>9240</b> 92CRI / 4000K <b>9827</b> 98CRI / 2700K <b>9830</b> 98CRI / 3000K <b>9835</b> 98CRI / 3500K <b>9840</b> 98CRI / 4000K	<b>N</b> Narrow 12° <b>M</b> Medium 25° <b>W</b> Wide 34° <b>V</b> Very Wide 55°	<b>D11</b> Phase Dimming 120V <b>DM1</b> Phase or 0-10V Dimming 120V (V adapter only) <b>LD2</b> Non Dimming 277V (K adapter only) <b>D22</b> 0-10V Dimming 277V (U adapter only)	<b>BB</b> All Black <b>WB</b> White with Black Bezel <b>WW</b> All White <b>SB</b> Silver with Black Bezel Consult factory for custom colors
	<b>J</b> Juno® compatible*					
	<b>G</b> Global® GES compatible*	<b>13C</b> 13W LED 1078 lm del.	<b>9220</b> 92CRI / 3000-1800K Warm Dimming (ValuDIM Only)			
	<b>T</b> Global® TEK compatible*			<b>15C</b> 15W LED 1208 lm del.		
	<b>X</b> Global® XTS compatible*	Delivered @ 80CRI / 3000K Narrow Beam				
	<b>K</b> Global® HTEK compatible**					
	<b>V</b> Stucchi 120V compatible***					
	<b>U</b> Stucchi 277V compatible****					
	* D11 only ** LD2 only *** DM1 only **** D22 only					

Ordering Example: **TRA19B-K-13C-8030-N-LD2-WW**