

PROJECT	TYPE	CATALOG NUMBER
---------	------	----------------

Specifications

SPOTLIGHT

- 3.66" diameter cylinder
- 125° x 125° arm articulation - Friction lock
- 90° x 90° head rotation - Friction lock
- Die cast aluminum optical housing
- Articulating arm allows for greater aiming
- Powder coat finish

LED SOURCE

- Field-changeable optic
- CREE
- Easy access via front ring snap-in catch action
- Accepts 1 or more optical accessories

ELECTRICAL

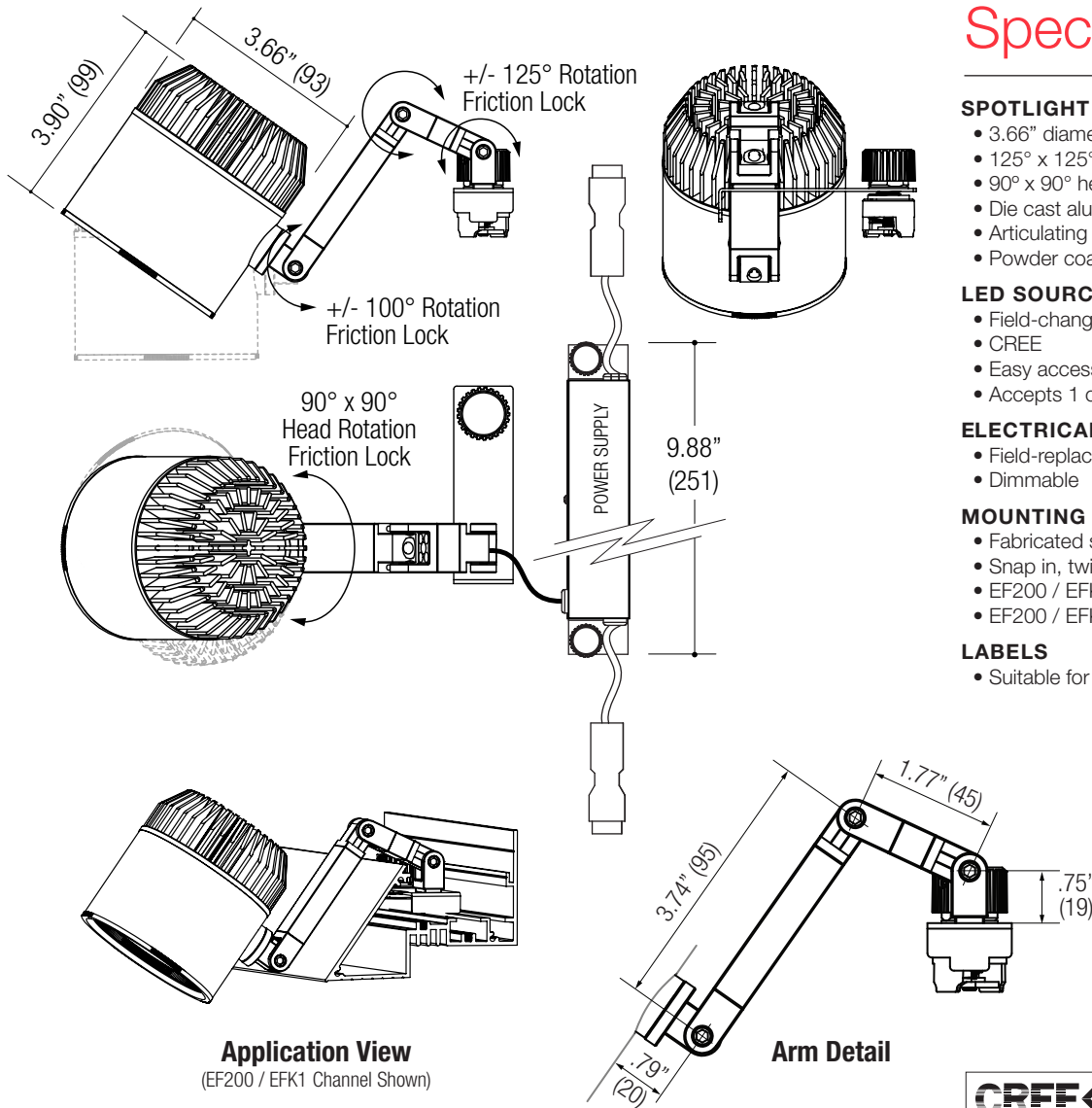
- Field-replaceable LED driver
- Dimmable

MOUNTING

- Fabricated steel extension arm
- Snap in, twist-lock mounting
- EF200 / EFK1 Single channel (*Sold Separately*)
- EF200 / EFK2 Dual channel (*Sold Separately*)

LABELS

- Suitable for damp location



Application View
(EF200 / EFK1 Channel Shown)

Arm Detail



ORDERING INFO

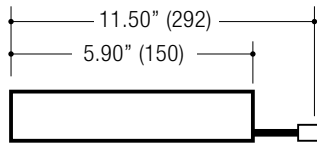
SERIES	WATTAGE	CRI / COLOR	BEAM	DRIVER	FINISH
EF208C	19C 19W LED 1920 lm del.	8027 80CRI / 2700K 8030 80CRI / 3000K	N Narrow 14° M Medium 24° W Wide 42°	DMU Dimming Multiple Forward/Reverse Phase (@ 120V only) 0-10V Wires Present (@ 120-277V)	BB Black WW White
	26C 26W LED 2543 lm del.	8035 80CRI / 3500K 8040 80CRI / 4000K			
EF200 Cylindrical Medium Die Cast Aluminum Housing Variable Adjustment EFK1 & EFK2 Channel Mount	34C 34W LED 3097 lm del.	9227 92CRI / 2700K 9230 92CRI / 3000K 9235 92CRI / 3500K 9240 92CRI / 4000K			Consult factory for custom colors. Minimum order required. Bezels only available in black or white.
	Delivered @ 80CRI / 3000K Medium Beam				

Ordering Example: **EF208C-26C-8030-N-DMU-BB**

PROJECT	TYPE	CATALOG NUMBER
---------	------	----------------

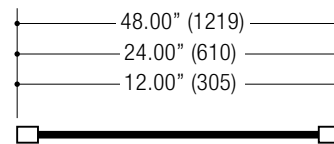
ELECTRICAL COMPONENTS

EFXFD
POWER STARTER FEED
 Electrical Component



Starter Box

EFXJW
JUMPER WIRE
 Electrical Component



Jumper Wire

ORDERING INFO

SERIES	VOLTAGE	FINISH
EFXFD Power Starter Feed	U 5 Wire / 0-10V Capable	BB Black WW White

Ordering Example: **EFXFD-U-BB**

ORDERING INFO



SERIES	DESCRIPTION	VOLTAGE	FINISH
EFXJW Jumper Wire	012 Jumper Wire 1' 024 Jumper Wire 2' 048 Jumper Wire 4'	U 5 Wire / 0-10V Capable	BB Black WW White

Ordering Example: **EFXJW-024-U-BB**

TYPICAL COMPONENT INSTALLATION

