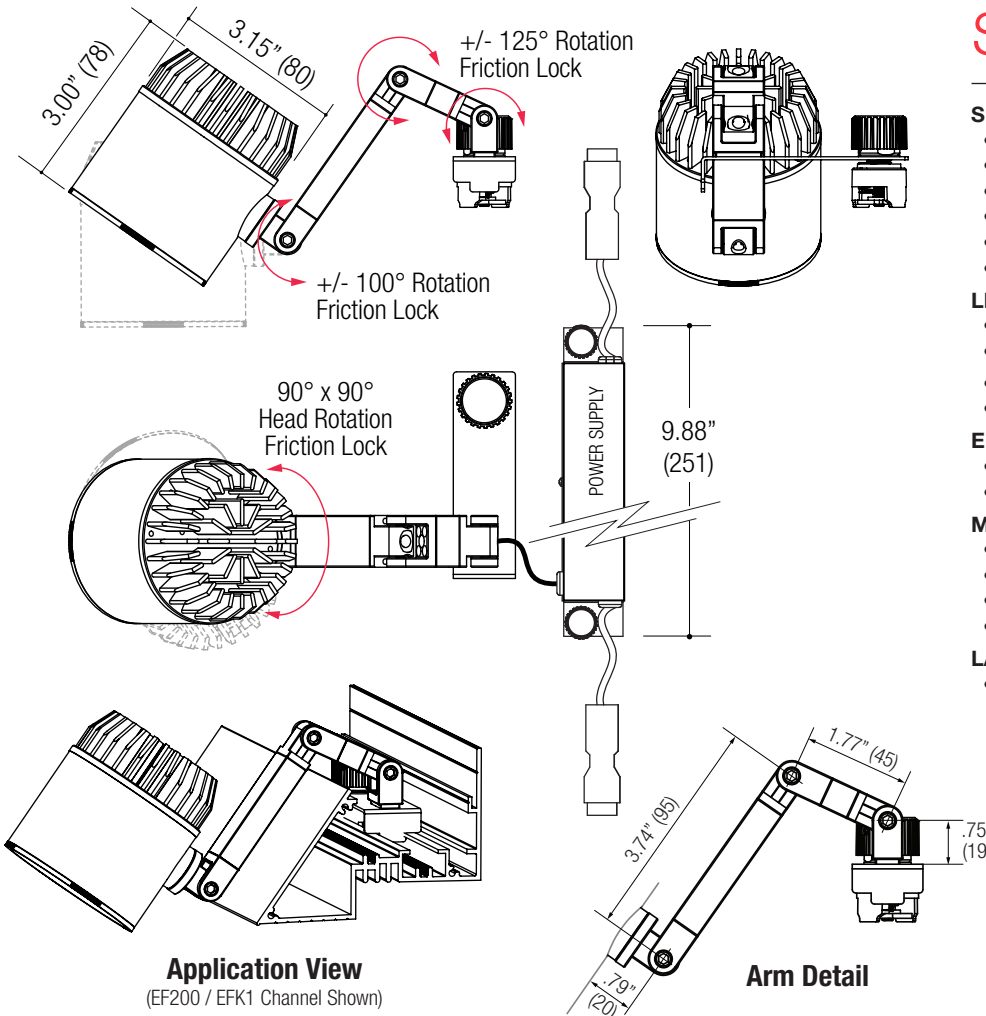


CYLINDRICAL

LED

SMALL

PROJECT	TYPE	CATALOG NUMBER
---------	------	----------------



Specifications

SPOTLIGHT

- 3.15" diameter cylinder
- 125° x 100° arm articulation - Friction lock
- 90° x 90° head rotation - Friction lock
- Die cast aluminum optical housing
- Articulating arm allows for greater aiming
- Powder coat finish

LED SOURCE

- Field-changeable optic
- Easy access via front ring snap-in catch action.
- CREE / ValuDIM™
- Accepts 1 or more optical accessories

ELECTRICAL

- Field-replaceable LED driver
- Dimmable

MOUNTING

- Fabricated aluminum extension arm
- Snap in, twist-lock mounting
- EF200 / EFK1 Single channel (*Sold Separately*)
- EF200 / EFK2 Dual channel (*Sold Separately*)

LABELS

- Suitable for damp location



Application View
(EF200 / EFK1 Channel Shown)

Arm Detail

5 YEAR WARRANTY
Limited



ORDERING INFO

SERIES	WATTAGE	CRI / COLOR	BEAM	DRIVER	FINISH
EF208B	08C 08W LED 982 lm del.	8027 80CRI / 2700K	N Narrow 13° M Medium 22° W Wide 30° V Very Wide 50°	DMU Dimming Multiple Forward/Reverse Phase (@ 120V only) 0-10V Wires Present (@ 120-277V)	BB Black WW White Consult factory for custom colors. Minimum order required. Bezels only available in black or white.
	13C 13W LED 1322 lm del.	8030 80CRI / 3000K			
	19C 19W LED 1900 lm del.	8035 80CRI / 3500K 8040 80CRI / 4000K 9227 92CRI / 2700K 9230 92CRI / 3000K 9235 92CRI / 3500K 9240 92CRI / 4000K			
	26C 26W LED 2555 lm del. Delivered @ 80CRI / 3000K Narrow Beam				
ValuDIM™ 15V 15W LED / 874lm del. 3000-1800K Warm Dimming Delivered @ 92CRI / 3000K Narrow Beam	9220 92CRI / 3000-1800K Warm Dimming (ValuDIM Only)				

Ordering Example: **EF208B-13C-8030-N-DMU-BB**

©2020 LF ILLUMINATION LLC

We reserve the right to change or withdraw specifications without prior notice.

HEADQUARTERS

9200 Deering Avenue
Chatsworth CA 91311

Telephone: 818-885-1335

Toll Free: 855-885-1335

Fax: 818-576-1335

www.lfillumination.com

rev: 012220

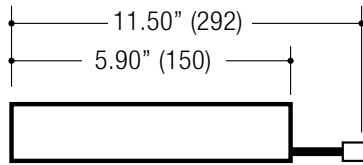
PROJECT

TYPE

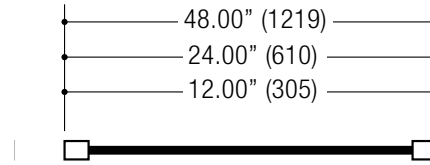
CATALOG NUMBER

ELECTRICAL COMPONENTS

EFXFD
POWER STARTER FEED
 Electrical Component



EFXJW
JUMPER WIRE
 Electrical Component


ORDERING INFO

SERIES	VOLTAGE	FINISH
EFXFD Power Starter Feed	U 5 Wire / 0-10V Capable	BB Black WW White

Ordering Example: **EFXFD-U-BB**

ORDERING INFO


SERIES	DESCRIPTION	VOLTAGE	FINISH
EFXJW Jumper Wire	012 Jumper Wire 1' 024 Jumper Wire 2' 048 Jumper Wire 4'	U 5 Wire / 0-10V Capable	BB Black WW White

Ordering Example: **EFXJW-024-U-BB**

TYPICAL COMPONENT INSTALLATION
