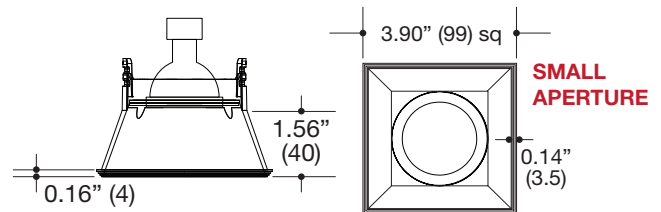
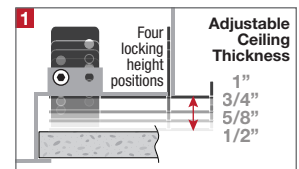
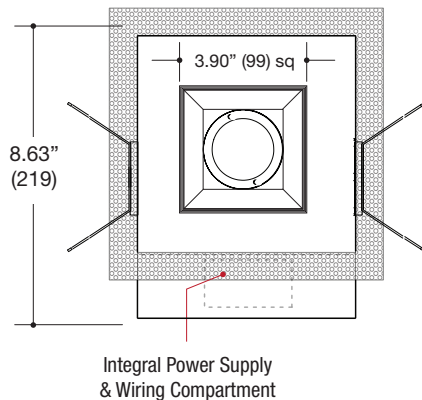
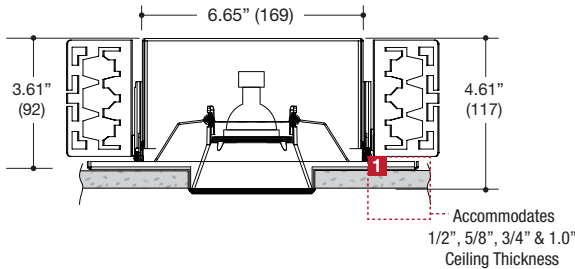


PROJECT	TYPE	CATALOG NUMBER
---------	------	----------------



SQUARE FIXED DOWNLIGHT

- 3.90" recessed fixed downlight
- Die-cast aluminum trim
- Deep 1.56" regress for greater cut-off
- 0.14" Micro-Trim provides a very clean finished look
- Powder coat finish

HOUSING

- All steel construction with powder coat finish
- Air-Tight rated
- **Ceiling Cut-Out - 3.83" X 3.83"**

LAMPS (not included)

- 120V MR16 50W max - Derate Labels Available
- LED Retrofit 15W max - Works with SORAA®
- Accepts up to 2 or more optical accessories dependent on lamp

ELECTRICAL

- Integral electronic or toroidal transformer
- Electrical wiring compartment integrated into housing construction
- Thermal protection
- Easy maintenance access through ceiling opening
- Rated for through-branch wiring
- Dimmable

MOUNTING

- Butterfly brackets for commercial installation in drywall, wood, stone, acoustic tile, or other ceiling types
- Perforated plate adjusts for 1/2", 5/8", 3/4" & 1.0" ceiling thickness
- Heavy-Duty **L-Bars™** hanger bar system ordered separately
LF #LBARS4PK

LABELS

- Suitable for damp location
- IC rated / Air-Tight / Title 24 Compliant

Patent Pending



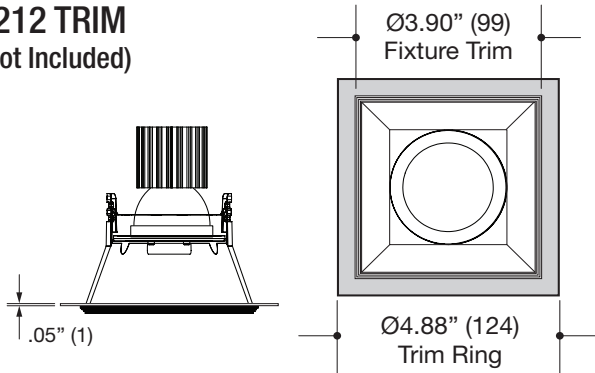
ORDERING INFO

SERIES	WATTAGE / LAMP	POWER SUPPLY	VOLTAGE	FINISH	OPTIONS
6212-1AA-T MOLI Recessed Die-Cast Aluminum Trim Fixed Downlight Micro-Trim Fixture New Construction Housing	020MR16X MR16 20W	ET Electronic Transformer TT Q-Tran Toroidal Transformer	1 120V 2 277V	BB Black WW White	CP Chicago Plenum EM Emergency Relay IC Insulated Ceiling (MR16 15W or 20W)
	035MR16X MR16 35W				
	050MR16X MR16 50W				
	015MR16X MR16 15W LED Retrofit				

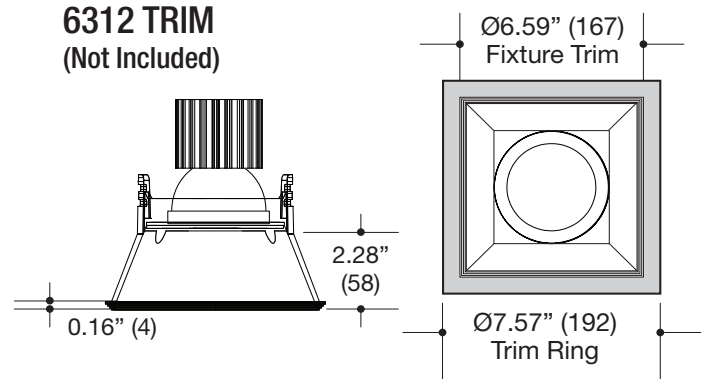
Ordering Example: **6212-1AA-T-050MR16X-ET-1-WW-CP**

PROJECT	TYPE	CATALOG NUMBER
---------	------	----------------

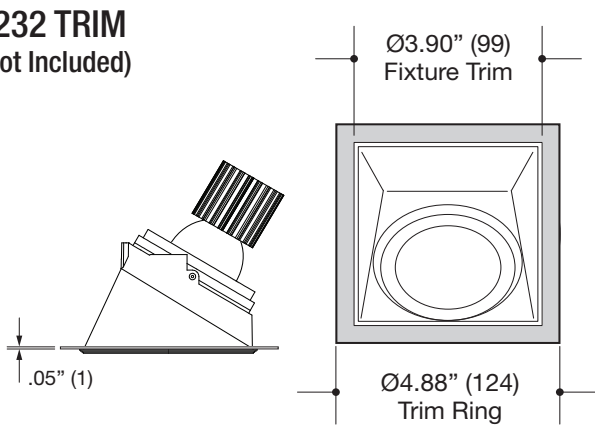
6212 TRIM
(Not Included)



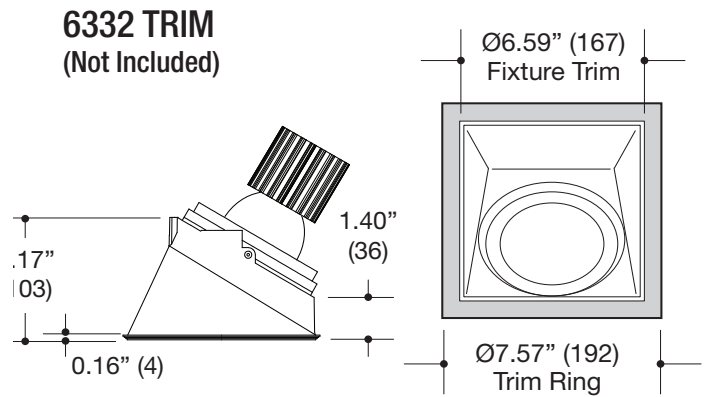
6312 TRIM
(Not Included)



6232 TRIM
(Not Included)



6332 TRIM
(Not Included)



MINI / SMALL HOUSING TRIMS

LARGE HOUSING TRIMS

Specifications

SQUARE MICRO-TRIM APPLICATION

- 4.88" square trim ring
- .05" steel construction
- #6212 and #6232 Trim Compatible
- Powder coat finish

ORDERING INFO

SERIES	FINISH
62X2-CVRING	BB Black WW White
MOLI Recessed Mini / Small Square Cover Ring	

Ordering Example: **62X2-CVRING**

Specifications

SQUARE MICRO-TRIM APPLICATION

- 7.57" square trim ring
- .05" steel construction
- #6312 and #6332 Trim Compatible
- Powder coat finish

ORDERING INFO

SERIES	FINISH
63X2-CVRING	BB Black WW White
MOLI Recessed Large Square Cover Ring	

Ordering Example: **63X2-CVRING**

Warnings:

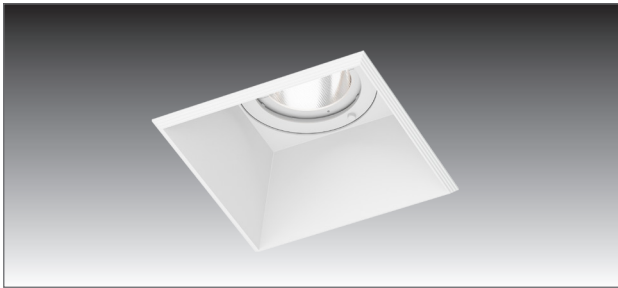
- * Risk of fire or electric shock.
- * **Disconnect all power before installing or servicing.**
- * Installation Instructions for qualified electricians only.
- * Install per National Electrical Code and local regulations.
- * Read Installation Instructions completely before installation.
- * Failure to follow Installation Instructions may void warranties.



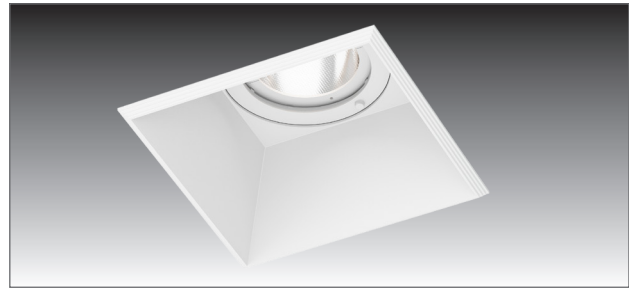
THIS PRODUCT MUST BE INSTALLED IN ACCORDANCE WITH THE APPLICABLE INSTALLATION CODE BY A PERSON FAMILIAR WITH THE CONSTRUCTION AND OPERATION OF THE PRODUCT AND THE HAZARDS INVOLVED.

CEILING DRYWALL PREPARATION:

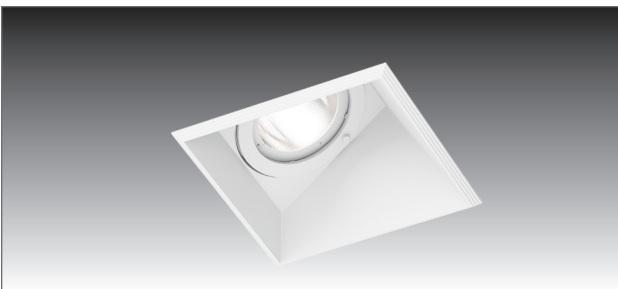
STEP 1. Per the below sizes and trim types. **PRECISELY** cut-out the correct hole in the ceiling. This fixture features a “Micro-Trim” which is a minimal trim and has a very small overlap so a precise cut-out is critical. If the ceiling is cut-out too large for the trim, then joint compound/mud may be used to reduce the hole size to the correct dimension. Alternatively flange rings are available (*See back page*).



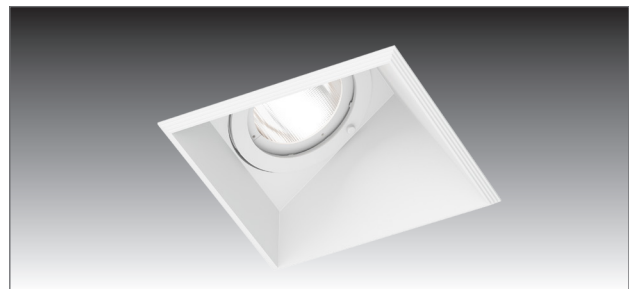
6212-1AA-T (Mini) CUT-OUT: 3.83” (97.28mm)
6212-1BA-T (Small)



6312-1DN-T (Large) CUT-OUT: 6.25” (158.75mm)



6232-1AA-T (Mini) CUT-OUT: 3.83” (97.28mm)
6232-1BA-T (Small)



6332-1DN-T (Large) CUT-OUT: 6.25” (158.75mm)