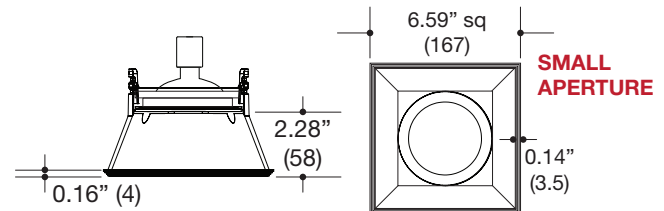
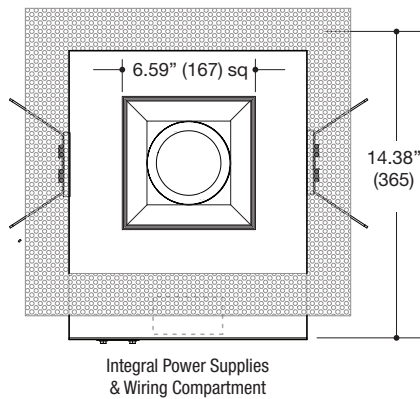
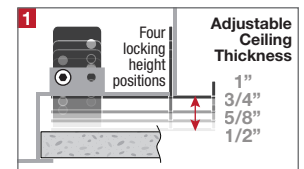
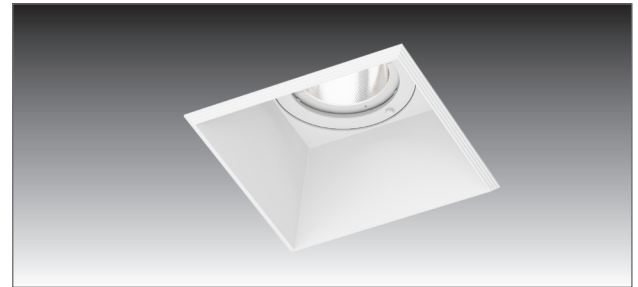
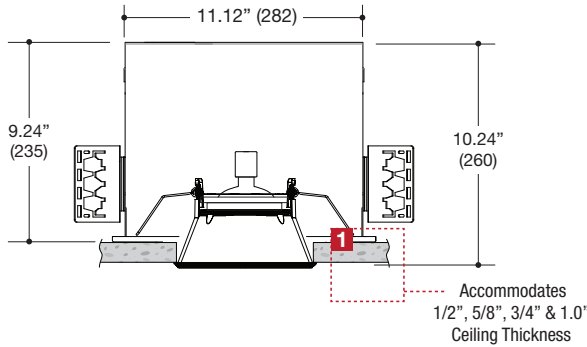


PROJECT	TYPE	CATALOG NUMBER
---------	------	----------------



SQUARE FIXED DOWNLIGHT

- 6.59" square recessed fixed downlight
- Die-cast aluminum trim
- Deep 2.28" regress for greater cut-off
- .21" Micro-Trim provides a very clean finished look
- Powder coat finish

HOUSING

- All steel construction
- Powder coat finish
- **Ceiling Cut-Out - 6.25" x 6.25"**

LAMPS (not included)

- 12V AR111 Halogen 100W max - Derate Labels Available
- CDMR111 22W, 39W or 70W
- Accepts up to 2 or more optical accessories dependent on lamp

ELECTRICAL

- Integral electronic or toroidal transformer, metal halide ballast
- Electrical wiring compartment integrated into housing construction
- Thermal protection
- Easy maintenance access through ceiling opening
- Rated for through-branch wiring
- Dimmable (12V)

MOUNTING

- Butterfly brackets for commercial installation in drywall, wood, stone, acoustic tile, or other ceiling types
- Continuously variable plate adjusts for 1/2" through 1.0" ceilings
- Heavy-Duty **L-Bars™** hanger bar system ordered separately **LF #LBARS4PK**

LABELS

- Suitable for damp location

Patent Pending



ORDERING INFO

SERIES	WATTAGE / LAMP	POWER SUPPLY	VOLTAGE	FINISH	OPTIONS
6312-1DN-T MOLI Recessed Die-Cast Aluminum Trim Fixed Downlight Micro-Trim Fixture New Construction Housing	035AR11X AR111 35W	ET Electronic Transformer	1 120V	BB Black	CP Chicago Plenum
	050AR11X AR111 50W	TT Q-Tran Toroidal Transformer	2 277V	WW White	EM Emergency Relay
	075AR11X AR111 75W	EB Electronic Metal Halide Ballast			
	100AR11X AR111 100W max				
	022CR11X CDMR111 22W				
	039CR11X CDMR111 39W				
	070CR11X CDMR111 70W				

Ordering Example: **6312-1DN-T-100AR11X-ET-1-BB-CP**

MICRO-TRIM

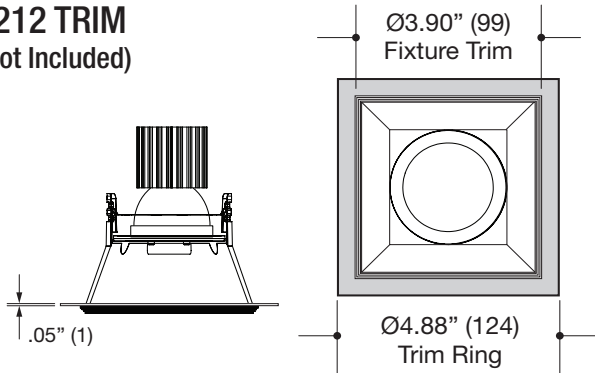
COVER RING

PROJECT

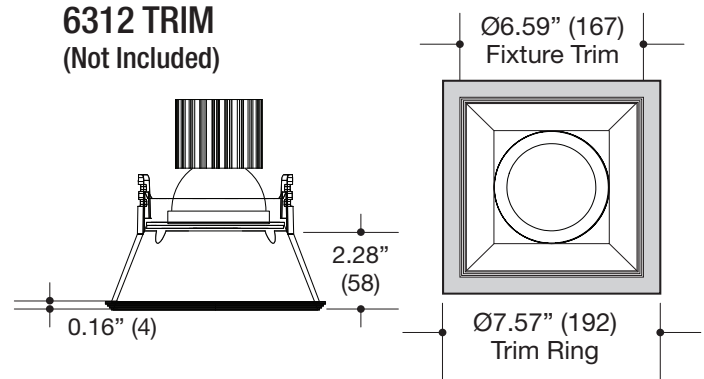
TYPE

CATALOG NUMBER

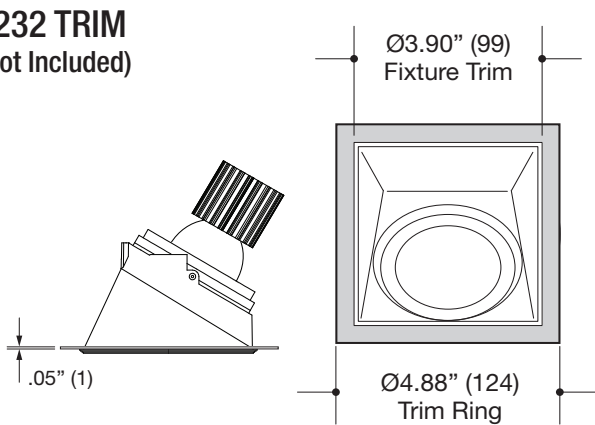
6212 TRIM
(Not Included)



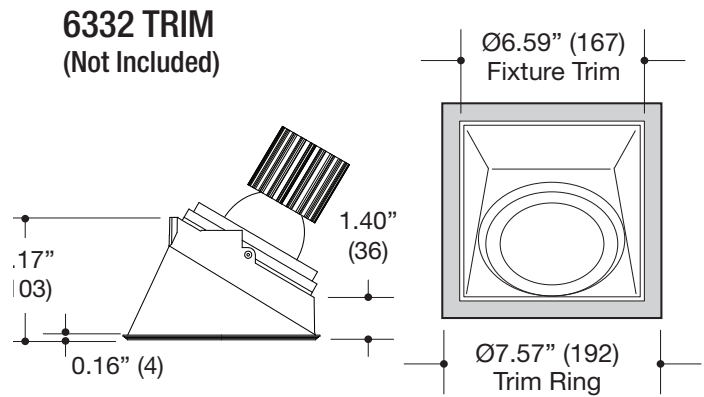
6312 TRIM
(Not Included)



6232 TRIM
(Not Included)



6332 TRIM
(Not Included)



MINI / SMALL HOUSING TRIMS

LARGE HOUSING TRIMS

Specifications

SQUARE MICRO-TRIM APPLICATION

- 4.88" square trim ring
- .05" steel construction
- #6212 and #6232 Trim Compatible
- Powder coat finish

ORDERING INFO

SERIES	FINISH
62X2-CVRING	BB Black WW White
MOLI Recessed Mini / Small Square Cover Ring	

Ordering Example: **62X2-CVRING**

Specifications

SQUARE MICRO-TRIM APPLICATION

- 7.57" square trim ring
- .05" steel construction
- #6312 and #6332 Trim Compatible
- Powder coat finish

ORDERING INFO

SERIES	FINISH
63X2-CVRING	BB Black WW White
MOLI Recessed Large Square Cover Ring	

Ordering Example: **63X2-CVRING**

Warnings:

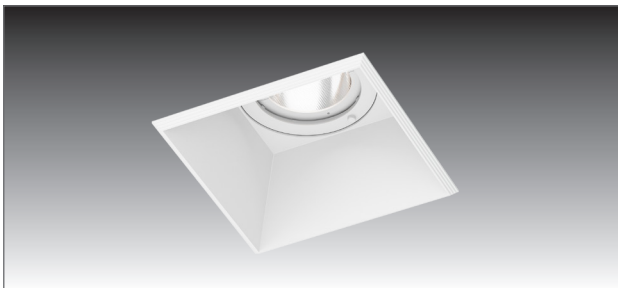
- * Risk of fire or electric shock.
- * **Disconnect all power before installing or servicing.**
- * Installation Instructions for qualified electricians only.
- * Install per National Electrical Code and local regulations.
- * Read Installation Instructions completely before installation.
- * Failure to follow Installation Instructions may void warranties.



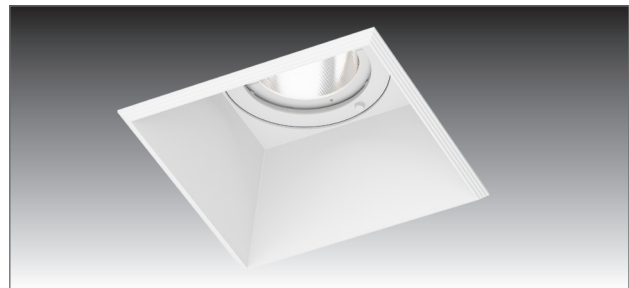
THIS PRODUCT MUST BE INSTALLED IN ACCORDANCE WITH THE APPLICABLE INSTALLATION CODE BY A PERSON FAMILIAR WITH THE CONSTRUCTION AND OPERATION OF THE PRODUCT AND THE HAZARDS INVOLVED.

CEILING DRYWALL PREPARATION:

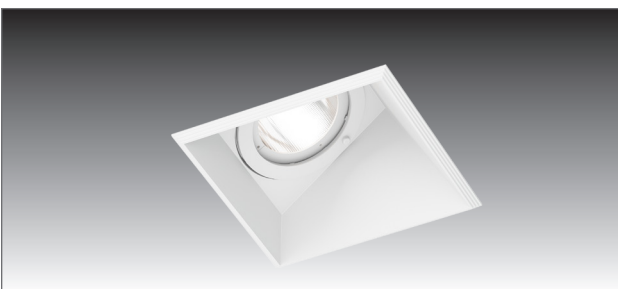
STEP 1. Per the below sizes and trim types. **PRECISELY** cut-out the correct hole in the ceiling. This fixture features a “Micro-Trim” which is a minimal trim and has a very small overlap so a precise cut-out is critical. If the ceiling is cut-out too large for the trim, then joint compound/mud may be used to reduce the hole size to the correct dimension. Alternatively flange rings are available (*See back page*).



6212-1AA-T (Mini) CUT-OUT: 3.83” (97.28mm)
6212-1BA-T (Small)



6312-1DN-T (Large) CUT-OUT: 6.25” (158.75mm)



6232-1AA-T (Mini) CUT-OUT: 3.83” (97.28mm)
6232-1BA-T (Small)



6332-1DN-T (Large) CUT-OUT: 6.25” (158.75mm)