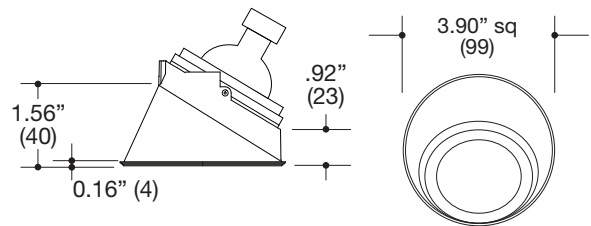
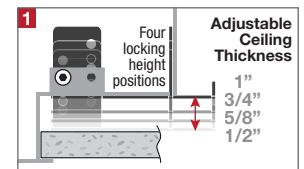
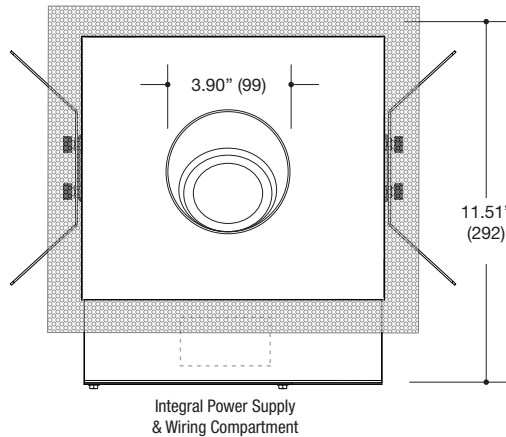
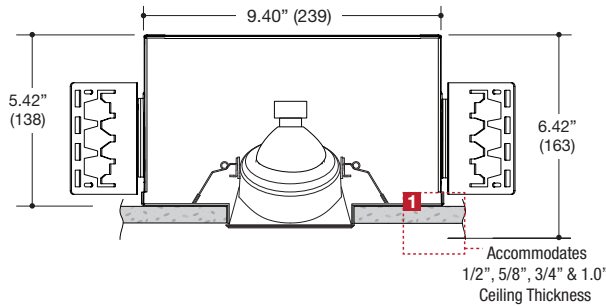


PROJECT	TYPE	CATALOG NUMBER
---------	------	----------------



### ROUND FIXED WALLWASH

- 3.90" recessed wallwash
- Die-cast aluminum trim
- Deep 1.56" regress for greater cut-off
- 0.14" Micro-Trim provides a very clean finished look
- Powder coat finish

### HOUSING

- All steel construction with powder coat finish
- Air-Tight rated
- **Ceiling Cut-Out - Ø3.83"**

### LAMPS (not included)

- 12V MR16 50W max - Derate Labels Available
- CMHMR16 in 20W or 39W
- LED Retrofit 15W max - Works with SORAA®
- Accepts up to 2 or more optical accessories, dependent on lamp

### ELECTRICAL

- Integral electronic or toroidal transformer, metal halide ballast
- Electrical wiring compartment integrated into housing construction
- Thermal protection
- Easy maintenance access through ceiling opening
- Rated for through-branch wiring
- Dimmable (12V)

### MOUNTING

- Butterfly brackets for commercial installation in drywall, wood, stone, acoustic tile, or other ceiling types
- Perforated plate adjusts for 1/2", 5/8", 3/4" & 1.0" ceiling thickness
- Heavy-Duty **L-Bars™** hanger bar system ordered separately **LF #LBARS4PK**

### LABELS

- Suitable for damp location
  - IC rated / Air-Tight / Title 24 Compliant
- Patent Pending**



### ORDERING INFO

SERIES	WATTAGE / LAMP	POWER SUPPLY	VOLTAGE	FINISH	OPTIONS
<b>6231-1BA-T</b>	<b>020MR16X</b> MR16 20W <b>035MR16X</b> MR16 35W <b>050MR16X</b> MR16 50W	<b>ET</b> Electronic Transformer <b>TT</b> Q-Tran Toroidal Transformer <b>EB</b> Electronic Metal Halide Ballast	<b>1</b> 120V <b>2</b> 277V	<b>BB</b> Black <b>WW</b> White	<b>CP</b> Chicago Plenum <b>EM</b> Emergency Relay <b>IC</b> Insulated Ceiling (MR16 only)
<b>MOLI Recessed</b> Die-Cast Aluminum Trim Wallwash Micro-Trim Fixture New Construction Housing	<b>020CM16X</b> 20W CMHMR16 <b>039CM16X</b> 39W CMHMR16 <b>015MR16X</b> MR16 15W LED Retrofit				

Ordering Example: **6231-1BA-T-039CM16X-EB-1-WW-CP**

**MICRO-TRIM**

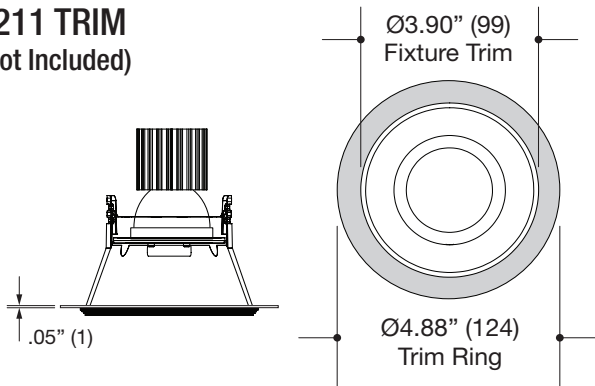
**COVER RING**

PROJECT

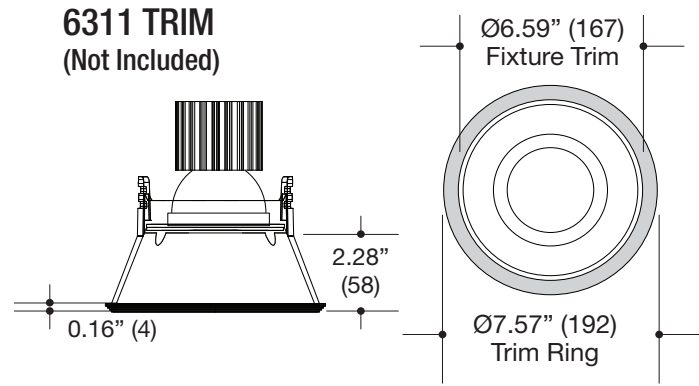
TYPE

CATALOG NUMBER

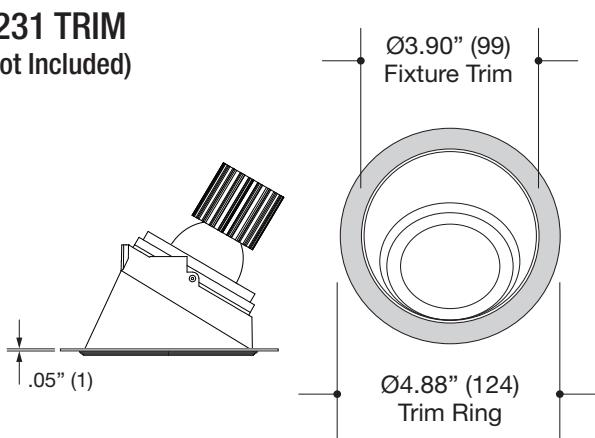
**6211 TRIM**  
(Not Included)



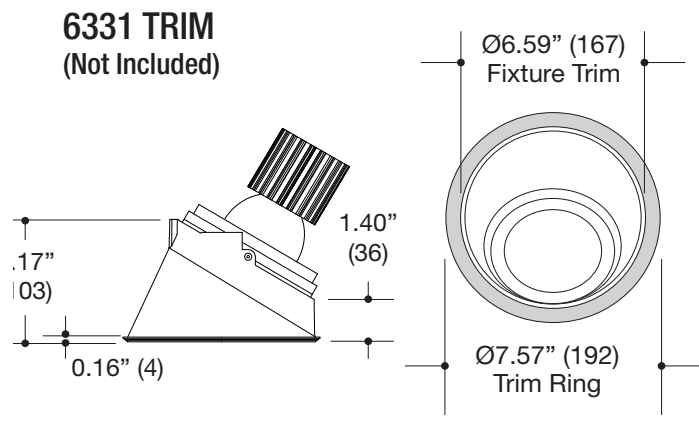
**6311 TRIM**  
(Not Included)



**6231 TRIM**  
(Not Included)



**6331 TRIM**  
(Not Included)



**MINI / SMALL HOUSING TRIMS**

**LARGE HOUSING TRIMS**

## Specifications

## Specifications

**ROUND MICRO-TRIM APPLICATION**

- 4.88" diameter trim ring
- .05" steel construction
- #6211 and #6231 Trim Compatible
- Powder coat finish

**ROUND MICRO-TRIM APPLICATION**

- 7.57" diameter trim ring
- .05" steel construction
- #6311 and #6331 Trim Compatible
- Powder coat finish

**ORDERING INFO**

SERIES	FINISH
<b>62X1-CVRING</b>	<b>BB</b> Black <b>WW</b> White
<b>MOLI Recessed</b> Mini / Small Round Cover Ring	

Ordering Example: **62X1-CVRING**

**ORDERING INFO**

SERIES	FINISH
<b>63X1-CVRING</b>	<b>BB</b> Black <b>WW</b> White
<b>MOLI Recessed</b> Large Round Cover Ring	

Ordering Example: **63X1-CVRING**

**Warnings:**

- \* Risk of fire or electric shock.
- \* **Disconnect all power before installing or servicing.**
- \* Installation Instructions for qualified electricians only.
- \* Install per National Electrical Code and local regulations.
- \* Read Installation Instructions completely before installation.
- \* Failure to follow Installation Instructions may void warranties.



THIS PRODUCT MUST BE INSTALLED IN ACCORDANCE WITH THE APPLICABLE INSTALLATION CODE BY A PERSON FAMILIAR WITH THE CONSTRUCTION AND OPERATION OF THE PRODUCT AND THE HAZARDS INVOLVED.

**CEILING DRYWALL PREPARATION:**

**STEP 1.** Per the below sizes and trim types. **PRECISELY** cut-out the correct hole in the ceiling. This fixture features a “Micro-Trim” which is a minimal trim and has a very small overlap so a precise cut-out is critical. If the ceiling is cut-out too large for the trim, then joint compound/mud may be used to reduce the hole size to the correct dimension. Alternatively flange rings are available (*See back page*).



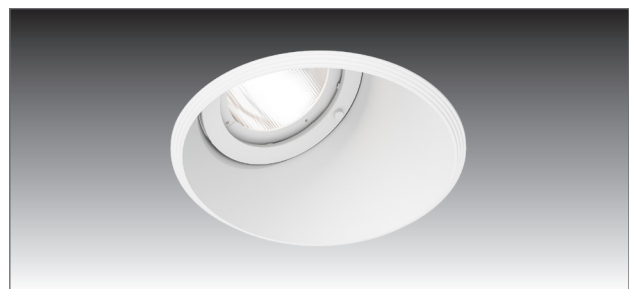
**6211-1AA-T (Mini)      CUT-OUT: 3.83” (97.28mm)**  
**6211-1BA-T (Small)**



**6311-1DN-T (Large)      CUT-OUT: 6.25” (158.75mm)**



**6231-1AA-T (Mini)      CUT-OUT: 3.83” (97.28mm)**  
**6231-1BA-T (Small)**



**6331-1DN-T (Large)      CUT-OUT: 6.25” (158.75mm)**