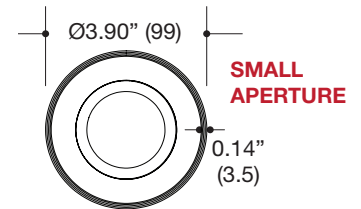
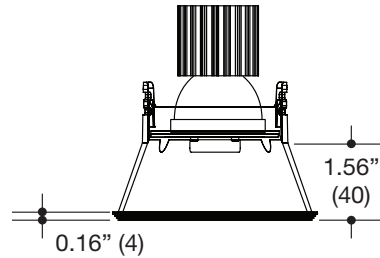
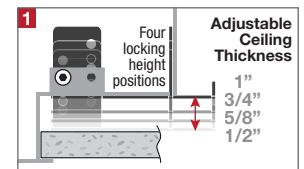
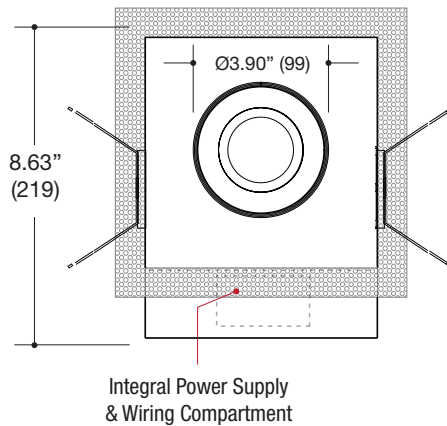
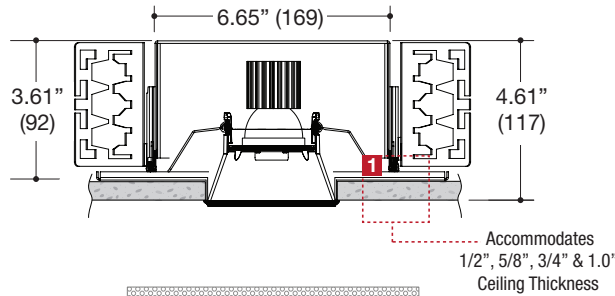


PROJECT	TYPE	CATALOG NUMBER
---------	------	----------------



ROUND FIXED DOWNLIGHT

- Ø3.90" recessed fixed downlight
- Die-cast aluminum trim
- Deep 1.56" regress for greater cut-off
- 0.14" Micro-Trim provides a very clean finished look
- Powder coat finish

HOUSING

- All steel construction with powder coat finish
- Air-Tight rated
- **Ceiling Cut-Out - Ø3.83"**

LED SOURCE

- Field-replaceable integral LED module
- Field-changeable optic
- 11W / 825lm, 80CRI / 3000K
- 16W / 1100lm, 80CRI / 3000K
- Accepts LED films, consult factory for other accessory options

ELECTRICAL

- Field-replaceable integral LED driver
- Electrical wiring compartment integrated into housing construction
- Thermal protection
- Easy maintenance access through ceiling opening
- Rated for through-branch wiring
- Dimmable

MOUNTING

- Butterfly brackets for commercial installation in drywall, wood, stone, acoustic tile, or other ceiling types
- Perforated plate adjusts for 1/2", 5/8", 3/4" & 1.0" ceiling thickness
- Heavy-Duty **L-Bars™** hanger bar system ordered separately
LF #LBARS4PK

LABELS

- Suitable for damp location
 - IC rated / Air-Tight / Title 24 Compliant
- Patent Pending**

5 YEAR WARRANTY
Limited



ORDERING INFO

SERIES	WATTAGE	CRI / COLOR	BEAM	DRIVER	VOLTAGE	FINISH	OPTIONS
6211-1AA-T	11L 11W LED 825 lm nom.	8027 80CRI / 2700K 8030 80CRI / 3000K 8035 80CRI / 3500K 8040 80CRI / 4000K	N Narrow 16° M Medium 28° W Wide 42°	D1 Phase Dimming (120V only) D2 0-10V Dimming (120-277V only)	1 120V U 120-277V	BB Black WW White	CP Chicago Plenum IC Insulated Ceiling EM Remotely Mounted Emergency LED Inverter
MOLI Recessed Die-Cast Aluminum Trim Round Fixed Downlight Micro-Trim Fixture New Construction Housing	16L 16W LED 1100 lm nom.	9027 90CRI / 2700K 9030 90CRI / 3000K 9727 97CRI / 2700K 9730 97CRI / 3000K					

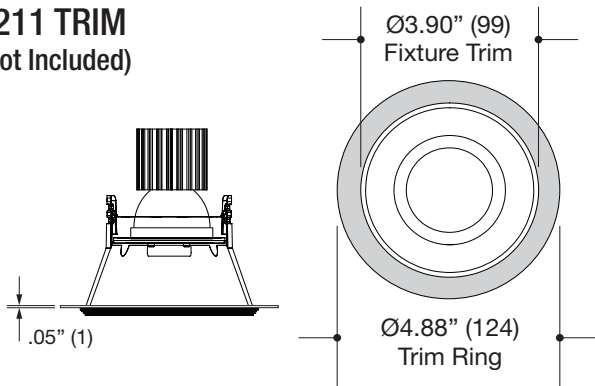
Ordering Example: **6211-1AA-T-16L-8027-N-D1-1-WW-CP**

MICRO-TRIM

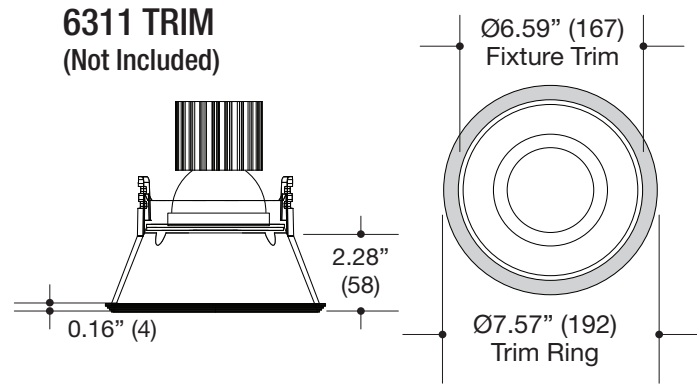
COVER RING

PROJECT	TYPE	CATALOG NUMBER
---------	------	----------------

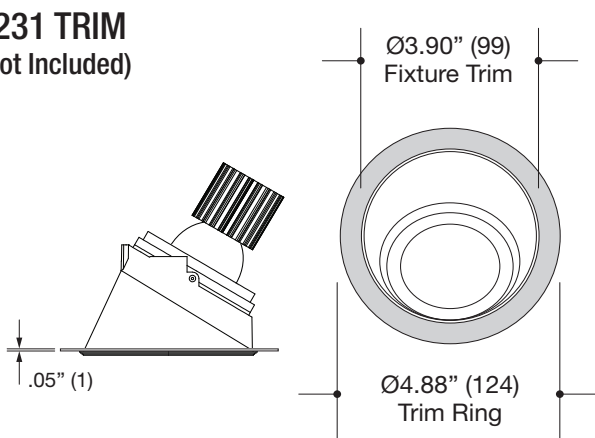
6211 TRIM
(Not Included)



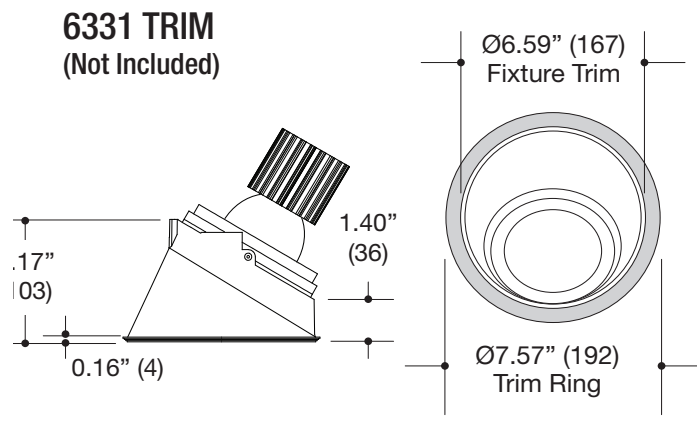
6311 TRIM
(Not Included)



6231 TRIM
(Not Included)



6331 TRIM
(Not Included)



MINI / SMALL HOUSING TRIMS

LARGE HOUSING TRIMS

Specifications

ROUND MICRO-TRIM APPLICATION

- 4.88" diameter trim ring
- .05" steel construction
- #6211 and #6231 Trim Compatible
- Powder coat finish

ORDERING INFO

SERIES	FINISH
62X1-CVRING	BB Black WW White
MOLI Recessed Mini / Small Round Cover Ring	

Ordering Example: **62X1-CVRING**

ROUND MICRO-TRIM APPLICATION

- 7.57" diameter trim ring
- .05" steel construction
- #6311 and #6331 Trim Compatible
- Powder coat finish

ORDERING INFO

SERIES	FINISH
63X1-CVRING	BB Black WW White
MOLI Recessed Large Round Cover Ring	

Ordering Example: **63X1-CVRING**

Warnings:

- * Risk of fire or electric shock.
- * **Disconnect all power before installing or servicing.**
- * Installation Instructions for qualified electricians only.
- * Install per National Electrical Code and local regulations.
- * Read Installation Instructions completely before installation.
- * Failure to follow Installation Instructions may void warranties.



THIS PRODUCT MUST BE INSTALLED IN ACCORDANCE WITH THE APPLICABLE INSTALLATION CODE BY A PERSON FAMILIAR WITH THE CONSTRUCTION AND OPERATION OF THE PRODUCT AND THE HAZARDS INVOLVED.

CEILING DRYWALL PREPARATION:

STEP 1. Per the below sizes and trim types. **PRECISELY** cut-out the correct hole in the ceiling. This fixture features a “Micro-Trim” which is a minimal trim and has a very small overlap so a precise cut-out is critical. If the ceiling is cut-out too large for the trim, then joint compound/mud may be used to reduce the hole size to the correct dimension. Alternatively flange rings are available (*See back page*).



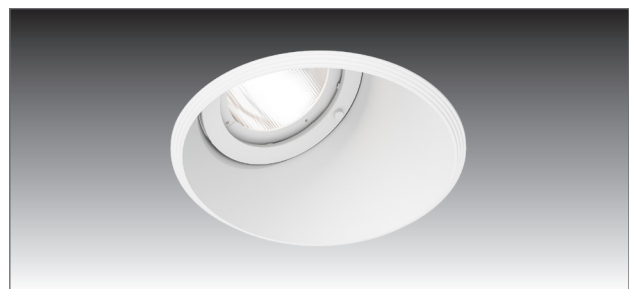
6211-1AA-T (Mini) CUT-OUT: 3.83” (97.28mm)
6211-1BA-T (Small)



6311-1DN-T (Large) CUT-OUT: 6.25” (158.75mm)



6231-1AA-T (Mini) CUT-OUT: 3.83” (97.28mm)
6231-1BA-T (Small)



6331-1DN-T (Large) CUT-OUT: 6.25” (158.75mm)