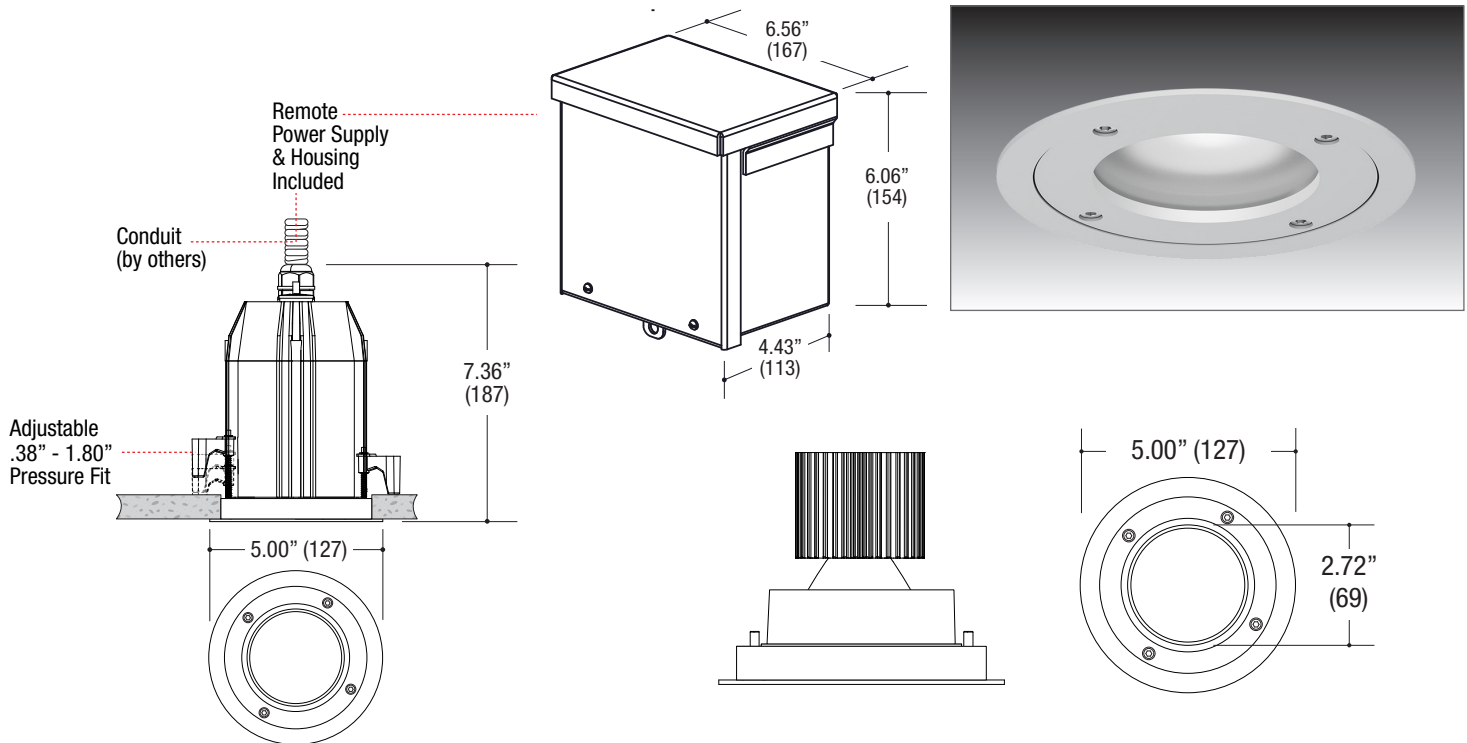


PROJECT	TYPE	CATALOG NUMBER
---------	------	----------------



DOWNLIGHT

- Recessed fixed downlight
- Die-cast aluminum trim
- Powder coat finish

HOUSING

- Extruded aluminum central housing
- Powder coat finish
- Dust and water jet tight sealed
- **Ceiling Cut-Out - Ø4.65"**

LED SOURCE

- Field-changeable optic
- 20W / 1670lm, 80CRI / 3000K

ELECTRICAL

- Remotely installed LED driver included
- Separated primary wiring compartment with power supply
- Double cable entry for through wiring
- Superpure aluminum reflector
- Dimmable

MOUNTING

- Swing out pressure fit mounting clips
- Adjustable up to 1.80" max. ceiling thickness

LABELS

- Suitable for wet location
- IP66 rated

5 YEAR WARRANTY
Limited



ORDERING INFO

SERIES	WATTAGE	CRI / COLOR	BEAM	DRIVER	VOLTAGE	FINISH	OPTIONS
5811-1SA-T	20L 20W LED 1670 lm nom.	8027 80CRI / 2700K 8030 80CRI / 3000K 8035 80CRI / 3500K 8040 80CRI / 4000K 9027 90CRI / 2700K 9030 90CRI / 3000K 9727 97CRI / 2700K 9730 97CRI / 3000K	N Narrow 25° M Medium 45° W Wide 55°	D1 Phase Dimming (120V only) D2 0-10V Dimming (120-277V only) D3 Lutron Hi-lume™* Forward Phase 2 wire 1% (120V only) D4 Lutron Hi-lume™* EcoSystem™ & 3 wire 1% (120-277V only) DE Lutron Hi-lume™ EcoSystem™* 1% w/Soft-On, Fade-to-Black™ 1% (120-277V only)	1 120V U 120-277V	BB Black SS Silver	EM Remotely Mounted Emergency LED Inverter (Field wiring required)
BULLET Recessed Die-Cast Aluminum Trim Fixed Downlight Trimmed Fixture							

Ordering Example: **5811-1SA-T-20L-8030-N-D2-U-SS-EM**