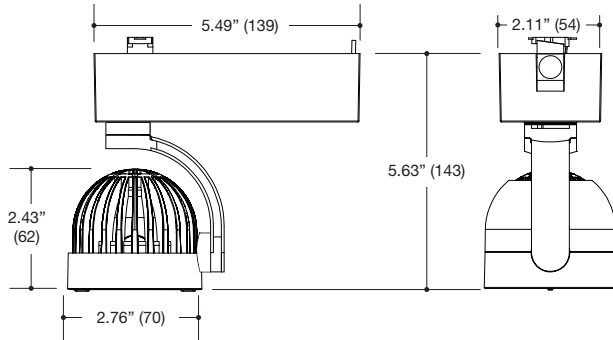
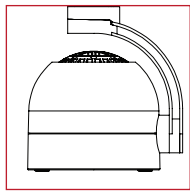


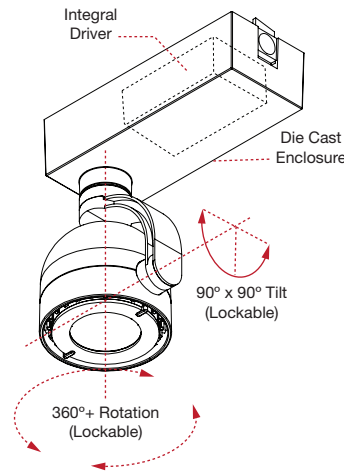
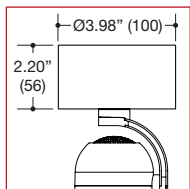
PROJECT	TYPE	CATALOG NUMBER
---------	------	----------------



Available with optional back cover "CV" - specify finish



Available with optional monopoint mounting - "M"



Shown with optional back cover (CV) in white finish.

TRACKHEAD

- 2.76" round trackhead
- Lockable 90° X 90° tilt aiming and 360°+ rotation
- Die cast aluminum head and gear housing
- Anodized aluminum reflector
- Optional lamp back cover
- Powder coat finish

LED SOURCE

- Integral LED Modules
- 11W / 960lm, 80CRI / 3000K
- 16W / 1460lm, 80CRI / 3000K
- Accepts up to 2 optical accessories
- 3 Step MacAdams (3 SDMC)

ELECTRICAL

- Integral LED driver
- Dimmable power supply available
- 1 or 2 circuit track compatible

MOUNTING

- Compatible with Halo®, Juno®, or Global® GES track
- Monopoint

LABELS

- Suitable for dry location

Patent Pending

Halo® is a registered trademark of Cooper Industries, Juno® is a registered trademark of Juno Lighting, Global® is a registered trademark of Nordic Aluminum.

Designed by Franco Mireni

3STEP
MacAdams

5 YEAR
WARRANTY
Limited



ORDERING INFO

SERIES	ADAPTER	WATTAGE	CRI / COLOR	BEAM	POWER SUPPLY	VOLTAGE	FINISH	OPTIONS
TRA10B PALLA Trackhead Die-Cast Aluminum Adjustable	H Halo® compatible	11L 11W LED 960 lm nom.	8027 80CRI / 2700K	N Narrow 18° M Medium 26° W Wide 38°	LD LED Driver D1 Phase Dimming 120V*	1 120V	BB Black WW White	CV Back Cover
	J Juno® compatible		8030 80CRI / 3000K					
	G Global® GES compatible	16L 16W LED 1460 lm nom.	8035 80CRI / 3500K					
	M Monopoint		8040 80CRI / 4000K					

* Consult factory

Ordering Example: **TRA10B-H-16L-8027-N-LD-1-WW-CV**

©2016 LF ILLUMINATION LLC

We reserve the right to change or withdraw specifications without prior notice.

HEADQUARTERS
9200 Deering Avenue
Chatsworth CA 91311

Telephone: 818-885-1335
Toll Free: 855-885-1335
Fax: 818-576-1335

www.lfillumination.com
rev: 051316