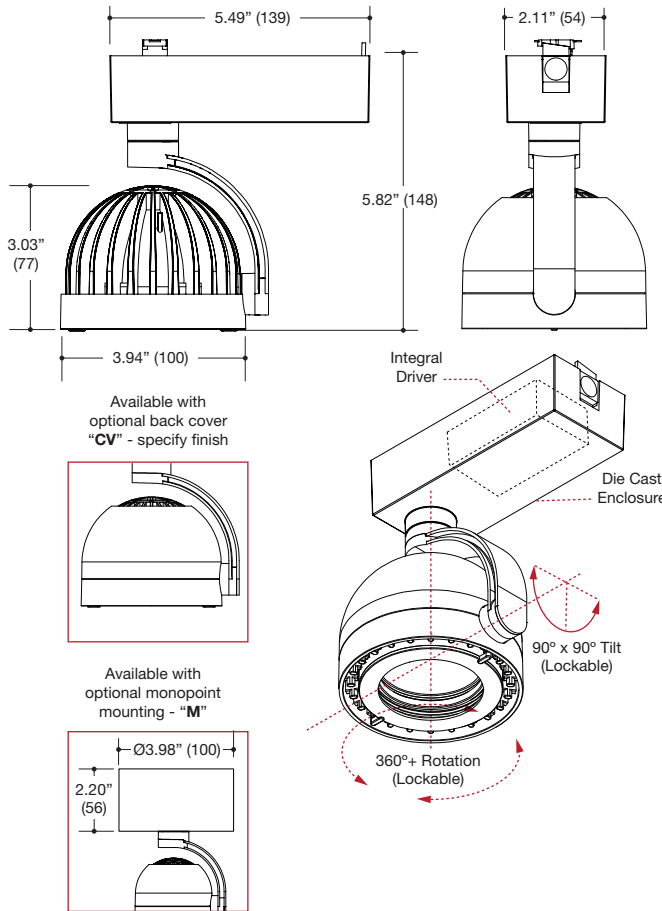


PROJECT	TYPE	CATALOG NUMBER
---------	------	----------------



Shown with optional back cover (CV) in white finish.

TRACKHEAD

- 3.94" round trackhead
- Lockable 90° X 90° tilt aiming / 360°+ rotation
- Die cast aluminum head and gear housing
- Anodized aluminum reflector
- Optional lamp back cover
- Powder coat finish

LED SOURCE

- Integral LED Modules
- 20W / 1700lm, 80CRI / 3000K
- 27W / 2200lm, 80CRI / 3000K
- Accepts up to 2 optical accessories
- 3 Step MacAdams (3 SDMC)

ELECTRICAL

- Integral LED driver
- Dimmable power supply available
- 1 or 2 circuit track compatible

MOUNTING

- Compatible with Halo®, Juno®, or Global® GES track
- Monopoint

LABELS

- Suitable for dry location

Patent Pending

Halo® is a registered trademark of Cooper Industries, Juno® is a registered trademark of Juno Lighting, Global® is a registered trademark of Nordic Aluminum.

Designed by Franco Mirezzi

3STEP
MacAdams

5 YEAR
WARRANTY
Limited



ORDERING INFO

SERIES	ADAPTER	WATTAGE	CRI / COLOR	BEAM	POWER SUPPLY	VOLTAGE	FINISH	OPTIONS
TRA10C PALLA Trackhead Die-Cast Aluminum Adjustable	H Halo® compatible	20L 20W LED 1700 lm nom.	8027 80CRI / 2700K	N Narrow M Medium	LD LED Driver D1 Phase Dimming 120V*	1 120V	BB Black WW White	CV Back Cover
	J Juno® compatible		8030 80CRI / 3000K					
	G Global® GES compatible	27L 27W LED 2200 lm nom.	8035 80CRI / 3500K					
	M Monopoint		8040 80CRI / 4000K					
			9027 90CRI / 2700K					
			9030 90CRI / 3000K					
			9727 97CRI / 2700K					
			9730 97CRI / 3000K					

Ordering Example: **TRA10C-H-27L-8027-N-LD-1-WW**