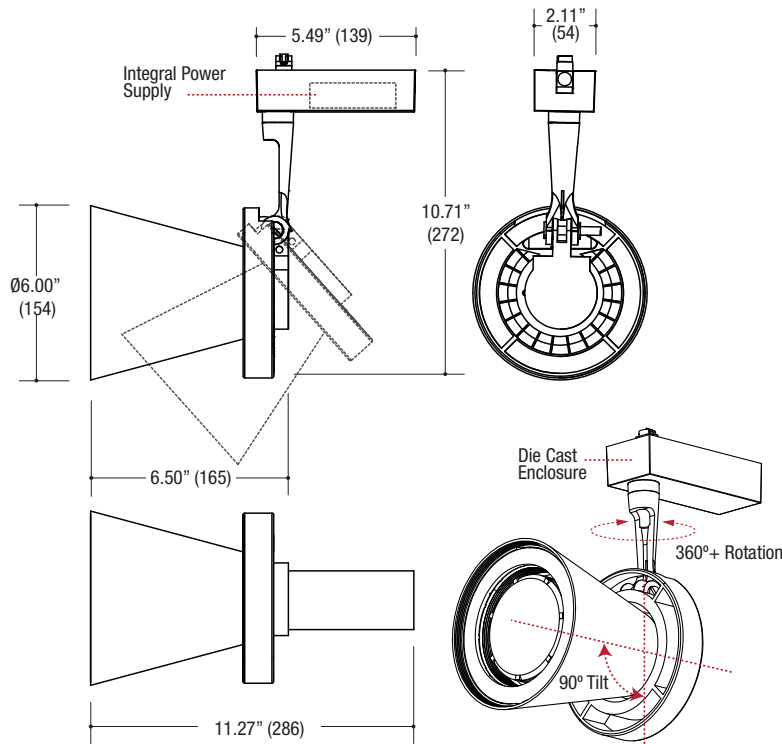


PROJECT	TYPE	CATALOG NUMBER
---------	------	----------------



Designed by Franco Mirezzi

TRACKHEAD

- 6" round cone shaped trackhead
- 0° - 90° lockable tilt aiming / 360°+ horizontal rotation
- Die cast aluminum head and power supply housing
- Super pure aluminum reflector
- Easy relamping via snap-in catch action removable housing
- Powder coat finish

LED SOURCE

- Field replaceable LED
- 28W / 2400lm (@ 80CRI min / 3000K)
- Accepts up to 2 or more optical accessories
- 3 Step MacAdams (3 SDMC)

ELECTRICAL

- Integral LED driver
- Dimmable power supply available
- 1 or 2 circuit track compatible

MOUNTING

- Compatible with Halo®, Juno®, or Global® GES track

LABELS

- Suitable for dry location

Halo® is a registered trademark of Cooper Industries.
Juno® is a registered trademark of Juno Lighting.
Global® is a registered trademark of Nordic Aluminium.

3 STEP
MacAdams

5 YEAR
WARRANTY
Limited



ORDERING INFO

SERIES	ADAPTER	WATTAGE	CRI / COLOR	BEAM	POWER SUPPLY	VOLTAGE	FINISH
TRA05D CONOS Cone Trackhead Die-Cast Aluminum Adjustable Aim	H Halo® compatible	28L 28W LED 2400 lm nom.	8027 80CRI / 2700K	N Narrow M Medium W Wide	LD LED Driver D1 Phase Dimming 120V	1 120V	BB Black WW White SS Silver
	J Juno® compatible		8030 80CRI / 3000K				
	G Global® GES compatible		8035 80CRI / 3500K				
	M Monopoint		8040 80CRI / 4000K				
			9027 90CRI / 2700K				
			9030 90CRI / 3000K				
			9727 97CRI / 2700K				
	9730 97CRI / 3000K						

Ordering Example: **TRA05D-H-28L-8030-N-LD-1-WW**

©2014 LF ILLUMINATION LLC

We reserve the right to change or withdraw specifications without prior notice.

HEADQUARTERS
9200 Deering Avenue
Chatsworth CA 91311

Telephone: 818-885-1335
Toll Free: 855-885-1335
Fax: 818-576-1335

www.lfillumination.com
rev: 120514