

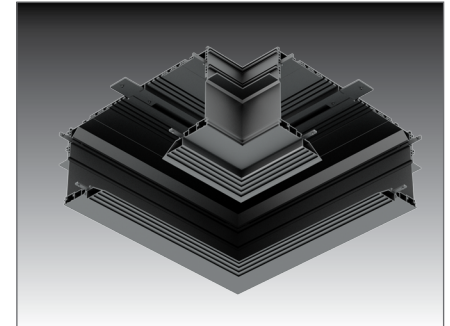
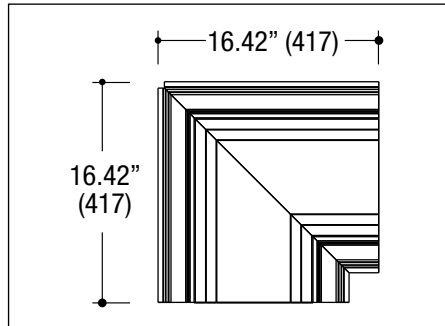
PROJECT	TYPE	CATALOG NUMBER
---------	------	----------------

EFC-L90

EFC RETURN MODULE

- 90° Return Module
- Use with EF100 System Channel
- Extruded aluminum construction
- Black anodized standard finish

Patents Pending

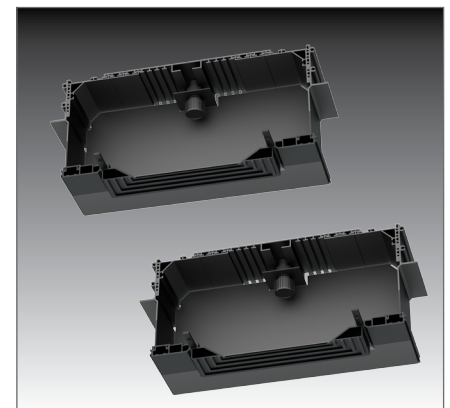
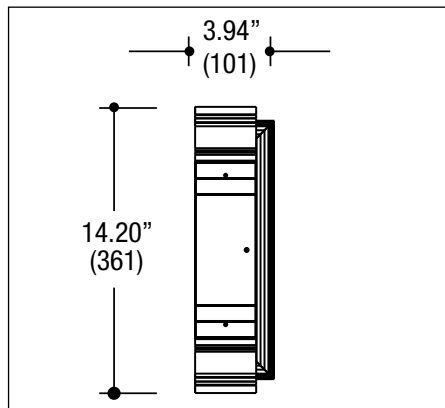


EFC-END

EFC END PLATE SET

- Use with EF100 System Channel
- Aluminum construction
- Black anodized standard finish
- 2 Units per set (pair)

Patents Pending



ORDERING INFO

SERIES	FINISH
EFC-L90	BB Black Anodized (Standard finish)
RETURN MODULE 90° Return Module Use with EF100 System Channel Extruded aluminum	XX Custom (Consult factory)

Ordering Example: **EFC-L90-BB**

ORDERING INFO

rev: 093013

SERIES	FINISH
EFC-END	BB Black Anodized (Standard finish)
END PLATE SET Use with EF100 System Channel Aluminum construction 2 Units per set (pair)	XX Custom (Consult factory)

Ordering Example: **EFC-END-BB**