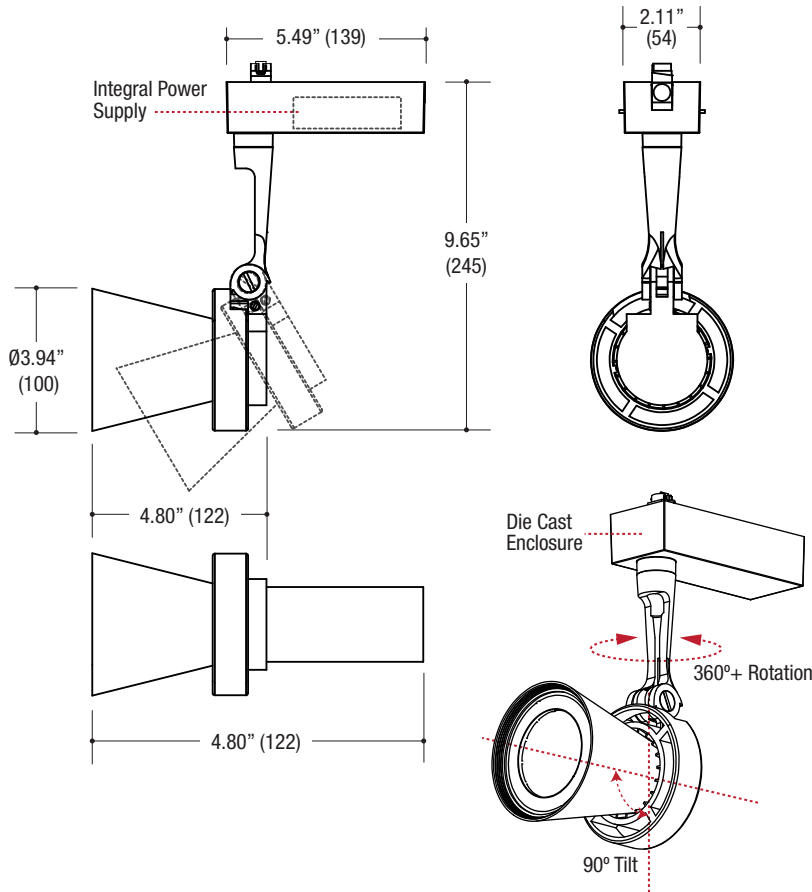


PROJECT	TYPE	CATALOG NUMBER
---------	------	----------------



Designed by Franco Mirezzi

TRACKHEAD

- 6" round cone shaped trackhead
- 0° - 90° lockable tilt aiming / 360° horizontal rotation
- Die cast aluminum head and power supply housing
- Super pure aluminum reflector
- Easy relamping via snap-in catch action removable housing
- Optical accessories available
- Powder coat finish

LAMPS (not included)

- 12V MR16 50W max - Derate Labels Available
- CMHMR16 in 20W or 39W
- LED Retrofit 15W max - Works with SORRA®

ELECTRICAL

- Integral electronic or metal halide ballast
- 1 or 2 circuit track compatible

MOUNTING

- Compatible with Halo®, Juno®, or Global® GES track

LABELS

- Suitable for dry location

Halo® is a registered trademark of Cooper Industries.
 Juno® is a registered trademark of Juno Lighting.
 Global® is a registered trademark of Nordic Aluminium.



ORDERING INFO

SERIES	ADAPTER	WATTAGE / LAMP	POWER SUPPLY	VOLTAGE	FINISH
TRA05B CONOS Cone Trackhead Die-Cast Aluminum Adjustable Aim	H Halo® compatible	020MR16X MR16 20W	ET Electronic Transformer	1 120V	BB Black WW White SS Silver
	J Juno® compatible	035MR16X MR16 35W	EB Electronic Metal Halide Ballast		
	G Global® GES compatible	050MR16X MR16 50W			
	M Monopoint	020CM16X 20W CMHMR16 039CM16X 39W CMHMR16			
		015MR16X MR16 15W LED Retrofit			

Ordering Example: **TRA05B-H-035MR16X-EB-1-BB**

©2015 LF ILLUMINATION LLC

We reserve the right to change or withdraw specifications without prior notice.

HEADQUARTERS
 9200 Deering Avenue
 Chatsworth CA 91311

Telephone: 818-885-1335
 Toll Free: 855-885-1335
 Fax: 818-576-1335

www.lfillumination.com
 rev: 021315