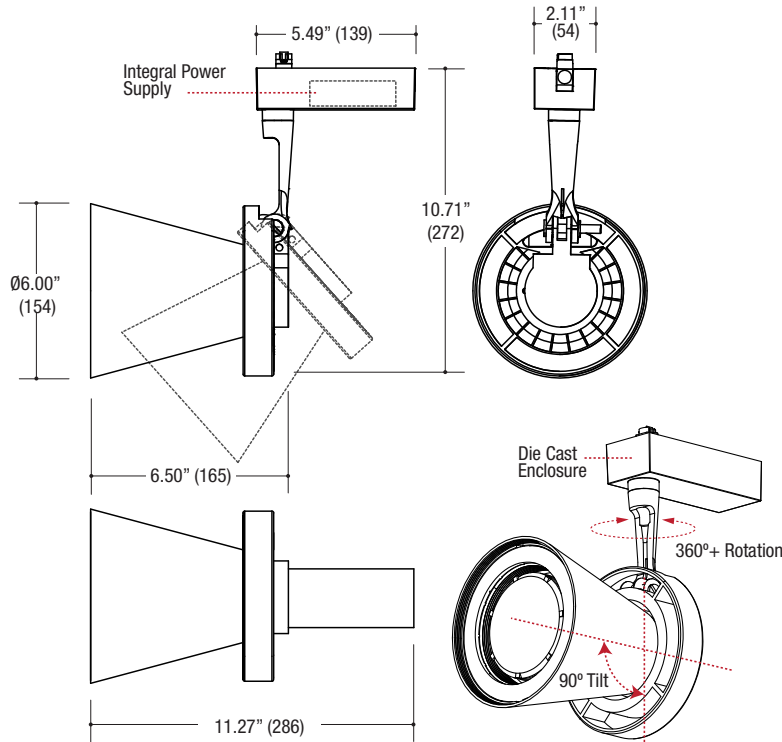


PROJECT	TYPE	CATALOG NUMBER
---------	------	----------------



Designed by Franco Mirezzi

**TRACKHEAD**

- 6" round cone shaped trackhead
- 0° - 90° lockable tilt aiming / 350°+ horizontal rotation
- Die cast aluminum head and power supply housing
- Superpure aluminum reflector
- Easy relamping via snap-in catch action removable housing
- Optical accessories available
- Powder coat finish

**LAMPS (not included)**

- PAR30MH 20W, 39W or 70W

**ELECTRICAL**

- Integral metal halide ballast
- 1 or 2 circuit track compatible

**MOUNTING**

- Compatible with Halo®, Juno®, or Global® GES track

**LABELS**

- Suitable for dry location

Halo® is a registered trademark of Cooper Industries.  
Juno® is a registered trademark of Juno Lighting.  
Global® is a registered trademark of Nordic Aluminium.



**ORDERING INFO**

SERIES	ADAPTER	WATTAGE / LAMP	POWER SUPPLY	VOLTAGE	FINISH
<b>TRA05D</b> <b>CONOS</b> Cone Trackhead Die-Cast Aluminum Adjustable Aim	<b>H</b> Halo® compatible <b>J</b> Juno® compatible <b>G</b> Global® GES compatible <b>M</b> Monopoint	<b>020CR30X</b> PAR30MH 20W <b>039CR30X</b> PAR30MH 39W <b>070CR30X</b> PAR30MH 70W	<b>EB</b> Electronic Metal Halide Ballast	<b>1</b> 120V	<b>BB</b> Black <b>WW</b> White <b>SS</b> Silver

Ordering Example: **TRA05D-H-070CR30X-EB-1-WW**

©2014 LF ILLUMINATION LLC

We reserve the right to change or withdraw specifications without prior notice.

HEADQUARTERS  
9200 Deering Avenue  
Chatsworth CA 91311

Telephone: 818-885-1335  
Toll Free: 855-885-1335  
Fax: 818-576-1335

[www.lfillumination.com](http://www.lfillumination.com)  
rev: 120414