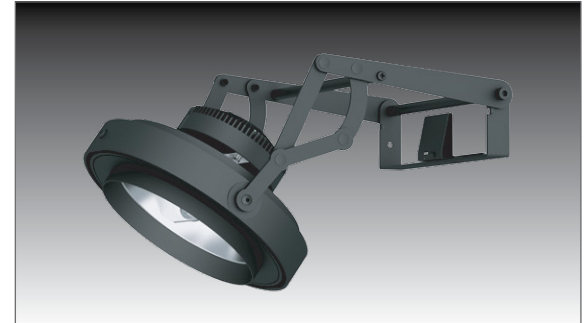
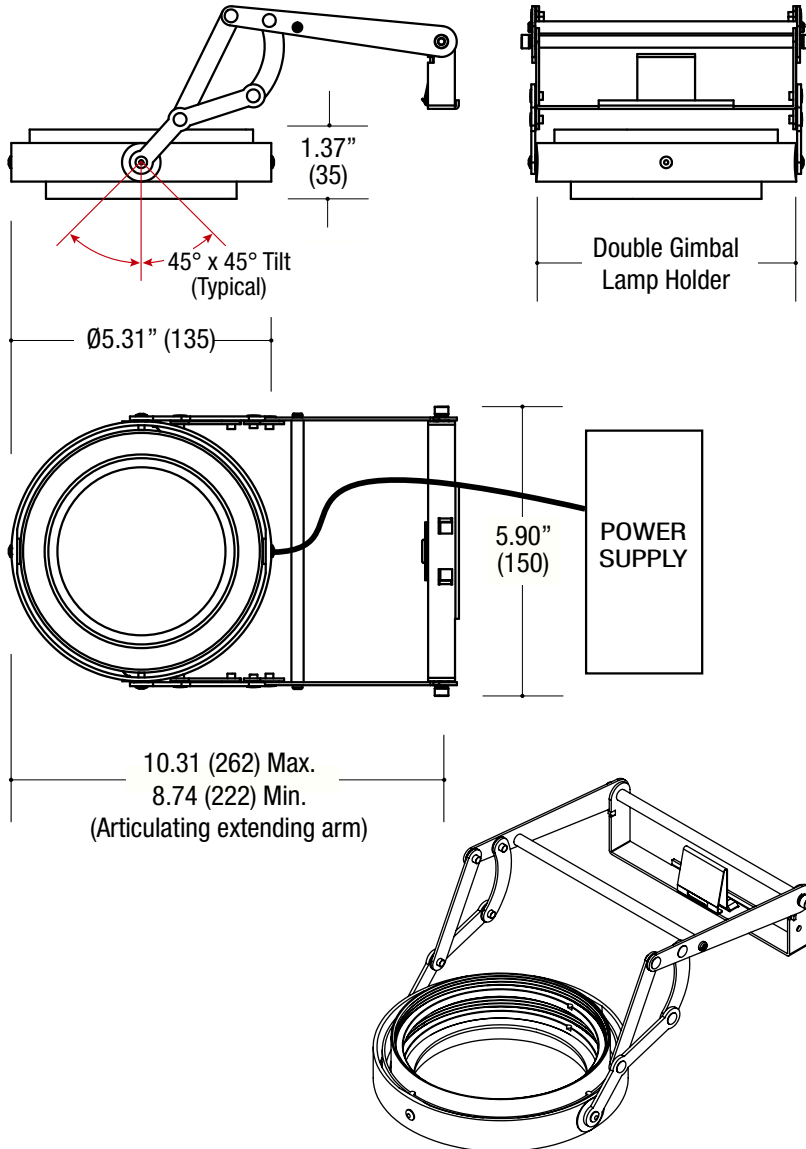


OPEN BACK

PAR30 & MH

LARGE

| | | |
|---------|------|----------------|
| PROJECT | TYPE | CATALOG NUMBER |
|---------|------|----------------|



SIDE MOUNT SPOTLIGHT

- Steel construction articulating extending arm
- Die cast aluminum double gimbal lamp holder
- 45° x 45° tilt adjustment
- Powder coat finish

LAMPS (not included)

- 120V PAR30 Halogen 75W max - Derate Labels Available
- PAR30MH 20W, 39W or 70W
- Easy positioning and relamping
- Accepts up to 2 optical accessories dependent on lamp

ELECTRICAL

- Metal halide ballast (no power supply for line voltage lamps)
- Dimmable (line voltage only)

MOUNTING

- Articulating extension arm
- Snap in channel mounting
- EF100 / EFC Channel (*Sold Separately*)

LABELS

- Suitable for damp location

ORDERING INFO



| SERIES | WATTAGE | POWER SUPPLY | VOLTAGE | FINISH |
|--|---|---|--------------------------------|-------------------------------------|
| EFX03D | 040PR30X PAR30 40W max | NA None - Line voltage lamps | 1 120V | BB Black XX Custom |
| | 050PR30X PAR30 50W max | | | |
| EF100 DOUBLE GIMBAL LARGE Articulating extension arm Die cast lamp holder Side mount Variable Adjustment EF100 / EFC Channel Mount | 075PR30X PAR30 75W max | EB Electronic Metal Halide Ballast | 1 120V 2 277V | |
| | 020PR30X PAR30 20W LED Retrofit | | | |
| | 020CR30X PAR30MH 20W 039CR30X PAR30MH 39W 070CR30X PAR30MH 70W | | | |

Ordering Example: **EFX03D-075PR30X-NA-1-BB**