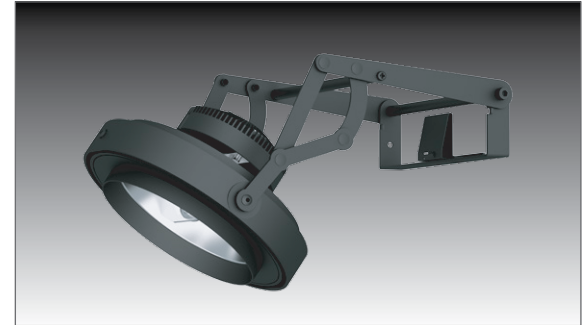
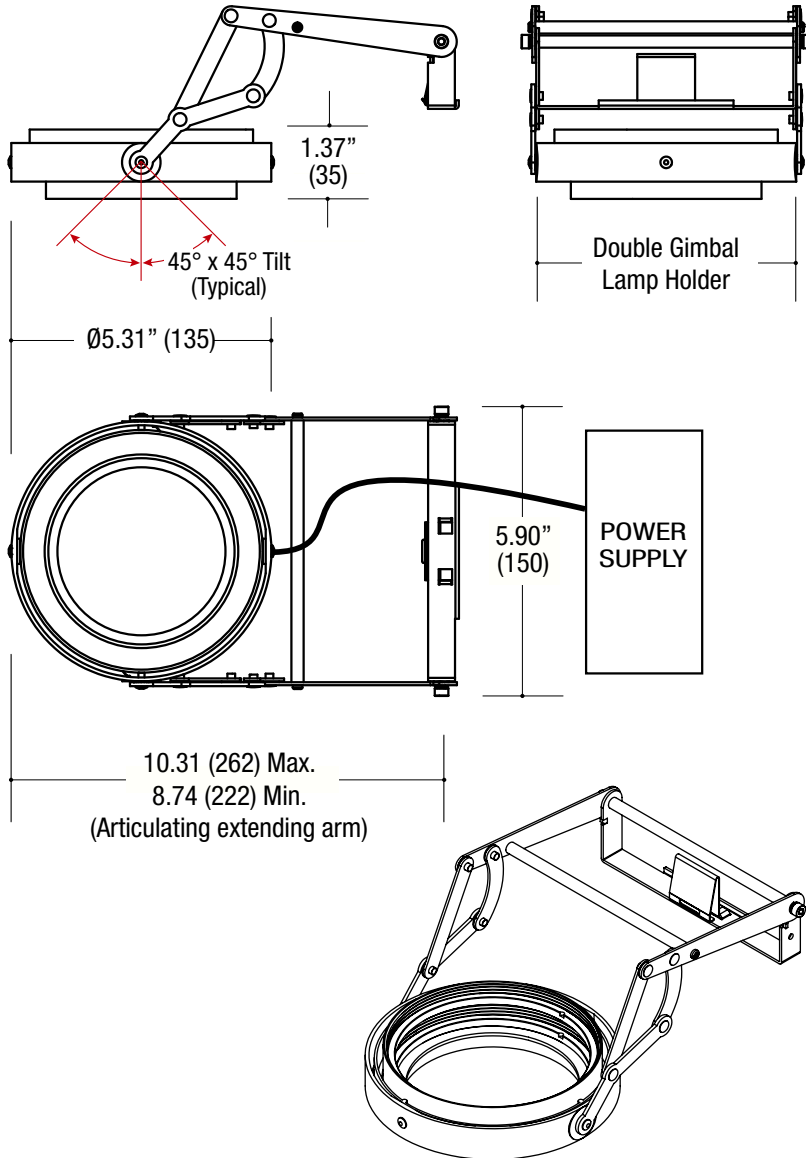


PROJECT	TYPE	CATALOG NUMBER
---------	------	----------------



SIDE MOUNT SPOTLIGHT

- Steel construction articulating extending arm
- Die cast aluminum double gimbal lamp holder
- 45° x 45° tilt adjustment
- Powder coat finish

LAMPS (not included)

- 12V AR111 Halogen 75W max - Derate Labels Available
- CDMR111 22W, 39W or 70W
- Easy positioning and relamping
- Accepts up to 2 optical accessories dependent on lamp

ELECTRICAL

- Electronic or toroidal transformer, metal halide ballast
- Dimmable (12V)

MOUNTING

- Articulating extension arm
- Snap in channel mounting
- EF100 / EFC Channel (*Sold Separately*)

LABELS

- Suitable for damp location



ORDERING INFO

SERIES	WATTAGE	POWER SUPPLY	VOLTAGE	FINISH
EFX03D	035AR11X AR111 35W max 050AR11X AR111 50W max 75AR11X AR111 75W max	ET Electronic Transformer TT Q-Tran Toroidal Transformer* EB Electronic Metal Halide Ballast	1 120V 2 277V	BB Black XX Custom
EF100 DOUBLE GIMBAL LARGE Articulating extension arm Die cast lamp holder Side mount Variable Adjustment EF100 / EFC Channel Mount	022CR11X CDMR111 22W 039CR11X CDMR111 39W 070CR11X CDMR111 70W	* Consult factory		

Ordering Example: **EFX03D-035AR11X-ET-1-BB**