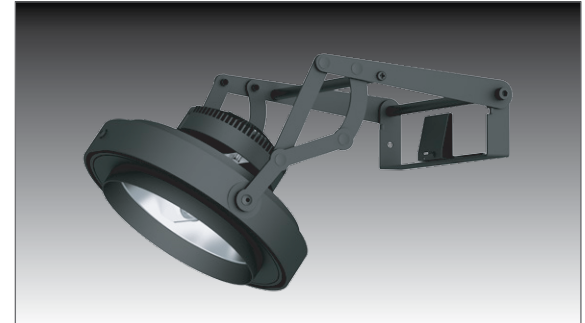
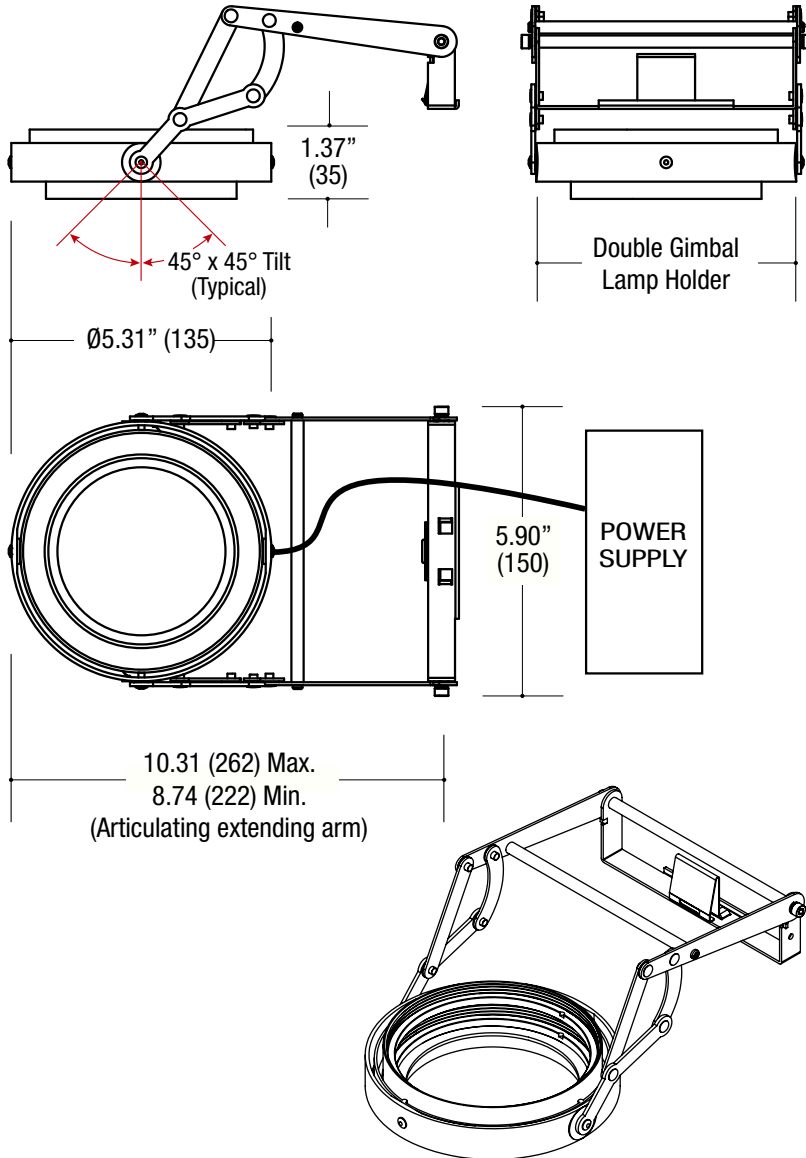


OPEN BACK

T4 / T6 G12

LARGE

PROJECT	TYPE	CATALOG NUMBER
---------	------	----------------



SIDE MOUNT SPOTLIGHT

- Steel construction articulating extending arm
- Die cast aluminum double gimbal lamp holder
- 45° x 45° tilt adjustment
- Powder coat finish

LAMPS (not included)

- T4 / T6 G12 20W, 39W, or 70W
- Integral aluminum reflectors in narrow, medium, and wide beams
- Easy positioning and relamping
- Accepts up to 2 optical accessories dependent on lamp

ELECTRICAL

- Metal halide ballast in tandem enclosure

MOUNTING

- Articulating extension arm
- Snap in channel mounting
- EF100 / EFC Channel (*Sold Separately*)

LABELS

- Suitable for damp location



ORDERING INFO

SERIES	WATTAGE	BEAM	POWER SUPPLY	VOLTAGE	FINISH
EFX03D	020T6G1 T4/T6 G12 20W 039T6G1 T4/T6 G12 39W 070T6G1 T4/T6 G12 70W	N Narrow M Medium W Wide	EB Electronic Metal Halide Ballast	1 120V 2 277V	BB Black XX Custom
EF100 DOUBLE GIMBAL LARGE Articulating extension arm Die cast lamp holder Side mount Variable Adjustment EF100 / EFC Channel Mount					

Ordering Example: **EFX03D-020T6G1-N-EB-1-BB**

©2014 LF ILLUMINATION LLC

We reserve the right to change or withdraw specifications without prior notice.

HEADQUARTERS
9200 Deering Avenue
Chatsworth CA 91311

Telephone: 818-885-1335
Toll Free: 855-885-1335
Fax: 818-576-1335

www.lfillumination.com
rev: 062514