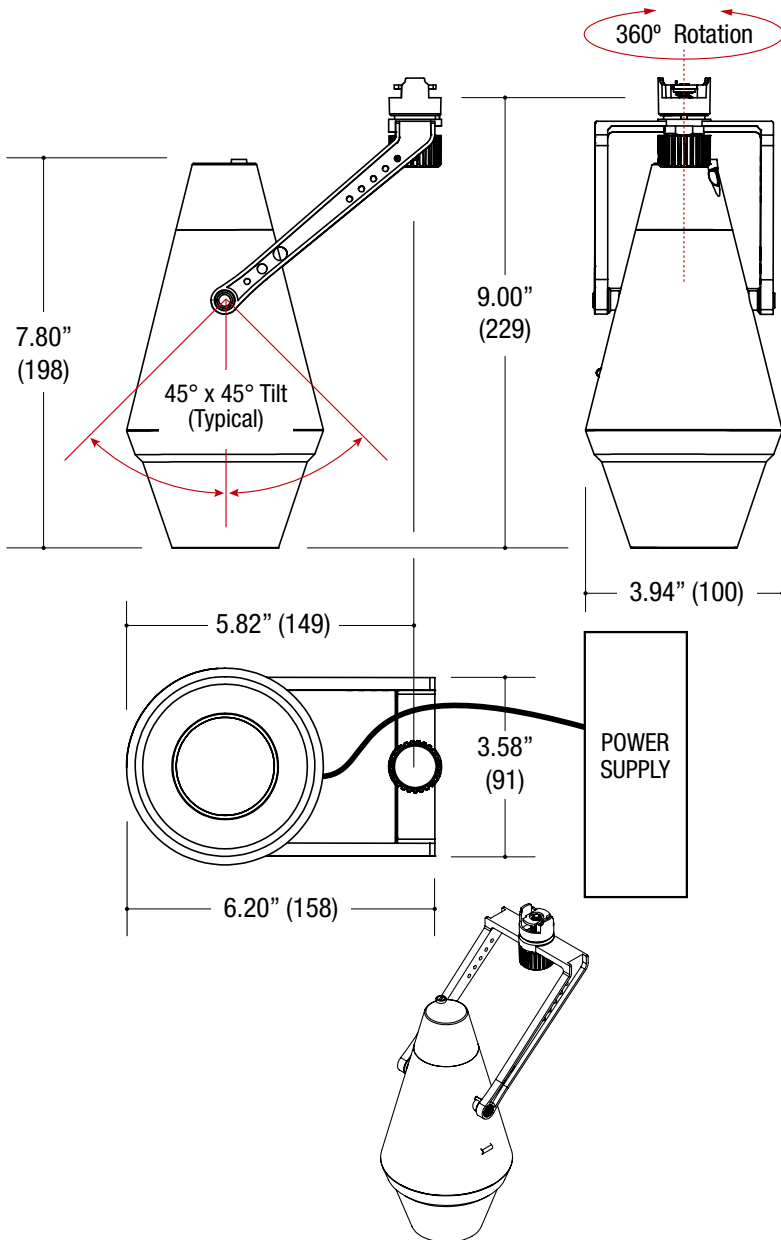


PROJECT	TYPE	CATALOG NUMBER
---------	------	----------------



TOP MOUNT SPOTLIGHT

- 3.94" diameter conical shape
- Closed back
- 45° x 45° tilt adjustment
- Die cast aluminum component and optical housing
- Powder coat finish

LAMPS (not included)

- 120V PAR20 Halogen 50W max - Derate Labels Available
- PAR20MH 20W or 39W
- LED Retrofit 15W max
- Easy relamping via front snout snap-in catch action
- Accepts up to 2 optical accessories dependent on lamp

ELECTRICAL

- Metal halide ballast in tandem enclosure (no power supply for line voltage lamps)
- Dimmable (line voltage only)

MOUNTING

- Die cast aluminum extension arms
- Snap in, twist-lock mounting
- EF100 / EFC Channel (Sold Separately)

LABELS

- Suitable for damp location



ORDERING INFO

SERIES	WATTAGE / LAMP	POWER SUPPLY	VOLTAGE	FINISH
EFX02C EF100 CONICAL MEDIUM Die-Cast Aluminum Housing Top mount Variable Adjustment EF100 / EFC Channel Mount	020PR20X PAR20 20W max	NA None - Line voltage lamps	1 120V	BB Black XX Custom
	040PR20X PAR20 40W max			
	050PR20X PAR20 50W max			
	015PR20X PAR20 15W LED Retrofit			
	020CR20X PAR20MH 20W 039CR20X PAR20MH 39W	EB Electronic Metal Halide Ballast	1 120V 2 277V	

Ordering Example: **EFX02C-020PR20X-NA-1-BB**