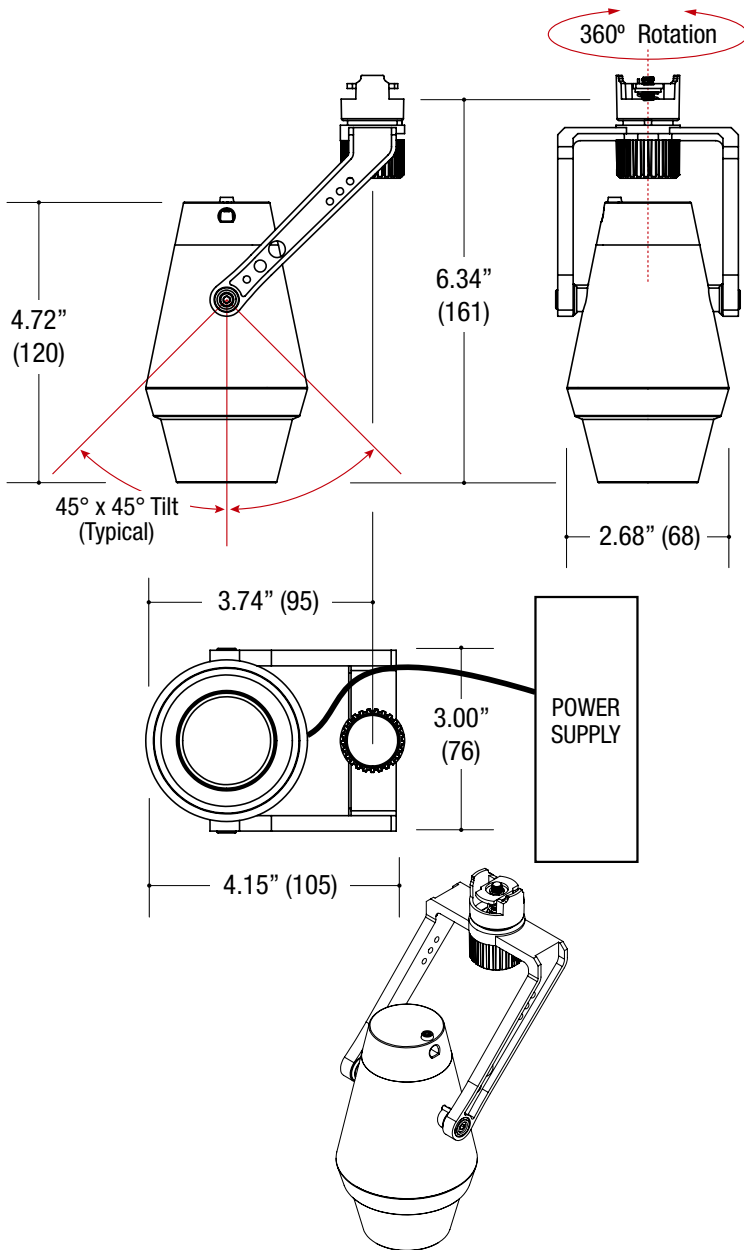


CONICAL

MR16 & CMH

SMALL

PROJECT	TYPE	CATALOG NUMBER
---------	------	----------------



TOP MOUNT SPOTLIGHT

- 2.68" diameter conical shape
- Closed back
- 45° x 45° tilt adjustment
- Die cast aluminum component and optical housing
- Powder coat finish

LAMPS (not included)

- 12V MR16 50W max - Derate Labels Available
- CMHMR16 in 20W or 39W
- LED Retrofit 15W max - Works with SORAA®
- Easy relamping via front snout snap-in catch action
- Accepts up to 2 optical accessories dependent on lamp

ELECTRICAL

- Electronic transformer or metal halide ballast in tandem enclosure
- Die cast aluminum
- Dimmable (12V)

MOUNTING

- Die cast aluminum extension arms with snap in, twist-lock mounting
- EF100 / EFC Channel (Sold Separately)

LABELS

- Suitable for damp location



ORDERING INFO

SERIES	WATTAGE / LAMP	POWER SUPPLY	VOLTAGE	FINISH
EFX02B	020MR16X MR16 20W 035MR16X MR16 35W 050MR16X MR16 50W	ET Electronic Transformer EB Electronic Metal Halide Ballast	1 120V 2 277V	BB Black XX Custom
EF100 CONICAL SMALL Die-Cast Aluminum Housing Top mount Variable Adjustment EF100 / EFC Channel Mount	020CM16X 20W CMHMR16 039CM16X 39W CMHMR16 015MR16X MR16 15W LED Retrofit			

Ordering Example: **EFX02B-020MR16X-ET-1-BB**

©2013 LF ILLUMINATION LLC

We reserve the right to change or withdraw specifications without prior notice.

HEADQUARTERS
9200 Deering Avenue
Chatsworth CA 91311

Telephone: 818-885-1335
Toll Free: 855-885-1335
Fax: 818-576-1335

www.lfillumination.com
rev: 062414