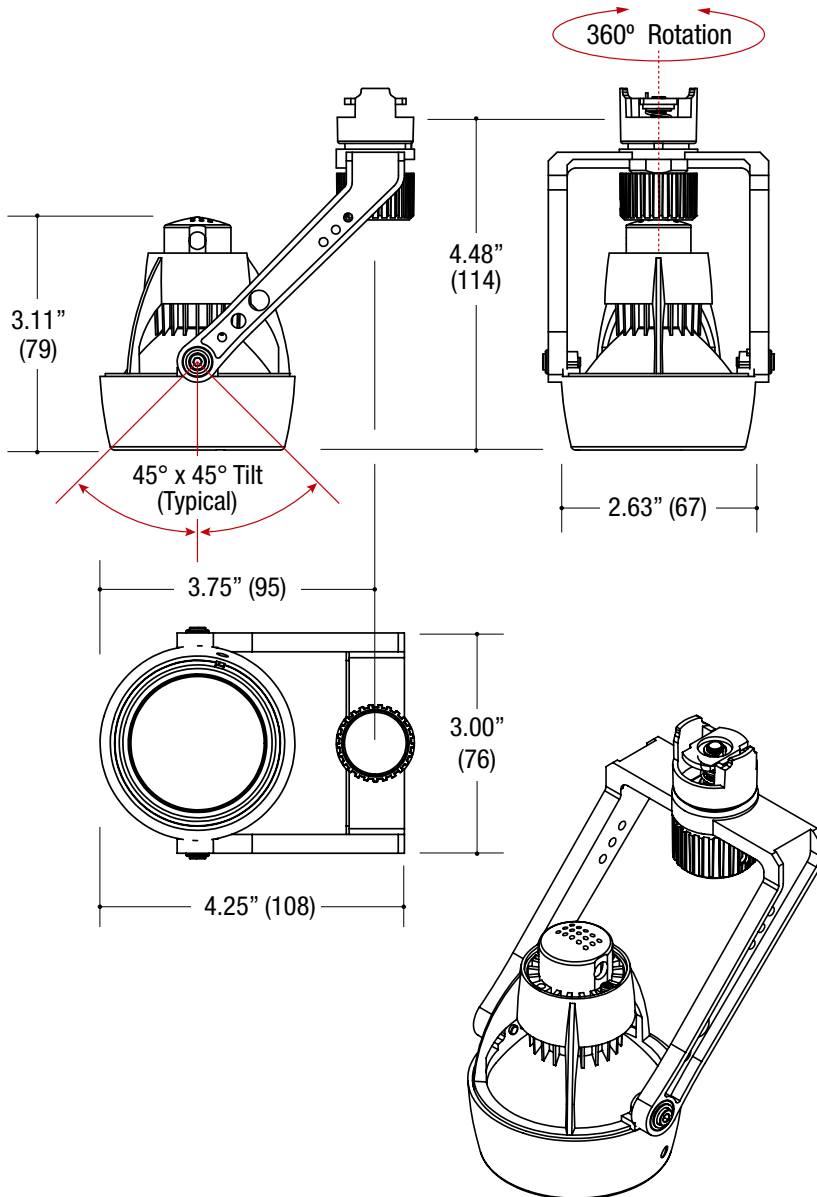


PROJECT	TYPE	CATALOG NUMBER
---------	------	----------------



TOP MOUNT SPOTLIGHT

- 2.63" diameter semi-open back
- 45° x 45° tilt adjustment
- 360°+ horizontal rotation
- Die cast aluminum component and optical housing
- Powder coat finish

LAMPS (not included)

- 12V MR16 50W max - Derate Labels Available
- CMHMR16 in 20W or 39W
- LED Retrofit 15W max - Works with SORAA®
- Easy relamping via front ring snap-in catch action
- Accepts up to 2 or more optical accessories

ELECTRICAL

- Electronic transformer or metal halide ballast in tandem enclosure
- Die cast aluminum
- Dimmable (12V)

MOUNTING

- Die cast aluminum extension arms
- Snap in, twist-lock mounting
- EF100 / EFC Channel (Sold Separately)

LABELS

- Suitable for damp location



ORDERING INFO

SERIES	WATTAGE / LAMP	POWER SUPPLY	VOLTAGE	FINISH
EFX01B	020MR16X MR16 20W	ET Electronic Transformer EB Electronic Metal Halide Ballast	1 120V 2 277V	BB Black XX Custom
	035MR16X MR16 35W			
EF100 SEMI-OPEN BACK SMALL Die-Cast Aluminum Housing Top Mount Variable Adjustment EF100 / EFC Channel Mount	050MR16X MR16 50W			
	020CM16X 20W CMHMR16			
	039CM16X 39W CMHMR16			
	015MR16X MR16 15W LED Retrofit			

Ordering Example: **EFX01B-020MR16X-ET-1-BB**