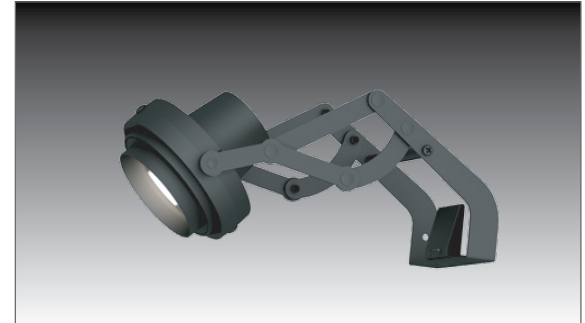
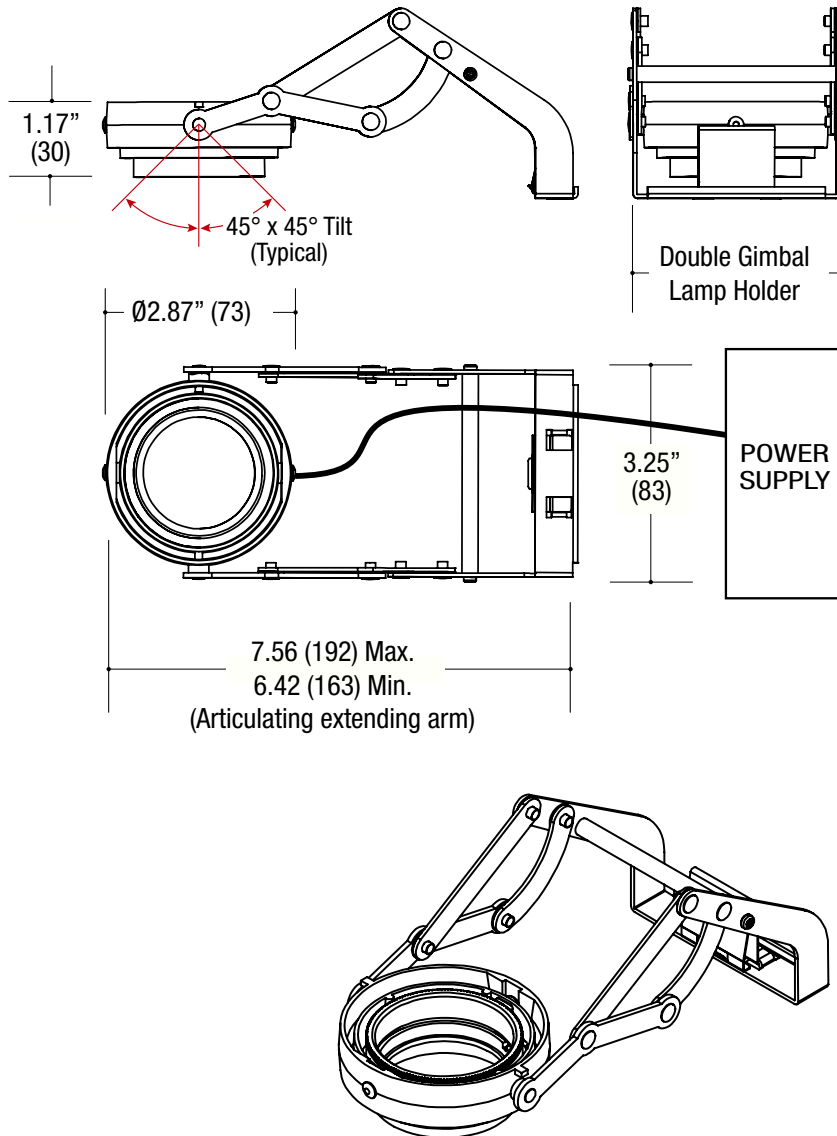


PROJECT	TYPE	CATALOG NUMBER
---------	------	----------------



### SIDE MOUNT SPOTLIGHT

- Steel construction articulating extending arm
- Die cast aluminum double gimbal lamp holder
- 45° x 45° tilt adjustment
- Powder coat finish

### LAMPS (not included)

- 12V MR16 50W max - Derate Labels Available
- CMHMR16 in 20W or 39W
- LED Retrofit 15W max - Works with SORAA®
- Easy relamping via front snoot snap-in catch action
- Accepts up to 2 optical accessories dependent on lamp

### ELECTRICAL

- Electronic transformer or metal halide ballast in tandem enclosure
- Die cast aluminum
- Dimmable (12V)

### MOUNTING

- Die cast aluminum extension arms with snap in, twist-lock mounting
- EF100 / EFC Channel (Sold Separately)

### LABELS

- Suitable for damp location



### ORDERING INFO

SERIES	WATTAGE / LAMP	POWER SUPPLY	VOLTAGE	FINISH
<b>EFX03B</b>	<b>020MR16X</b> MR16 20W <b>035MR16X</b> MR16 35W <b>050MR16X</b> MR16 50W	<b>ET</b> Electronic Transformer <b>EB</b> Electronic Metal Halide Ballast	<b>1</b> 120V <b>2</b> 277V	<b>BB</b> Black <b>XX</b> Custom
<b>EF100</b> <b>ARTICULATING ARM SMALL</b> Double Gimbal Lamp Holder Side Mount Variable Adjustment EF100 / EFC Channel Mount	<b>020CM16X</b> 20W CMHMR16 <b>039CM16X</b> 39W CMHMR16  <b>015MR16X</b> MR16 15W LED Retrofit			

Ordering Example: **EFX03B-020MR16X-ET-1-BB**