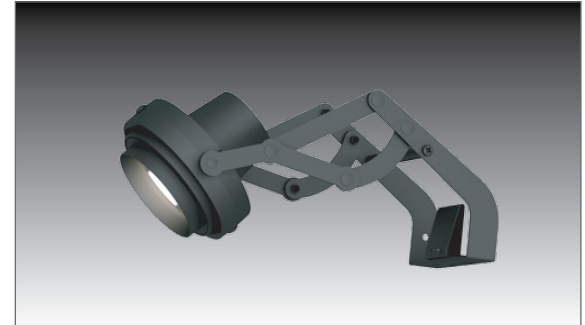
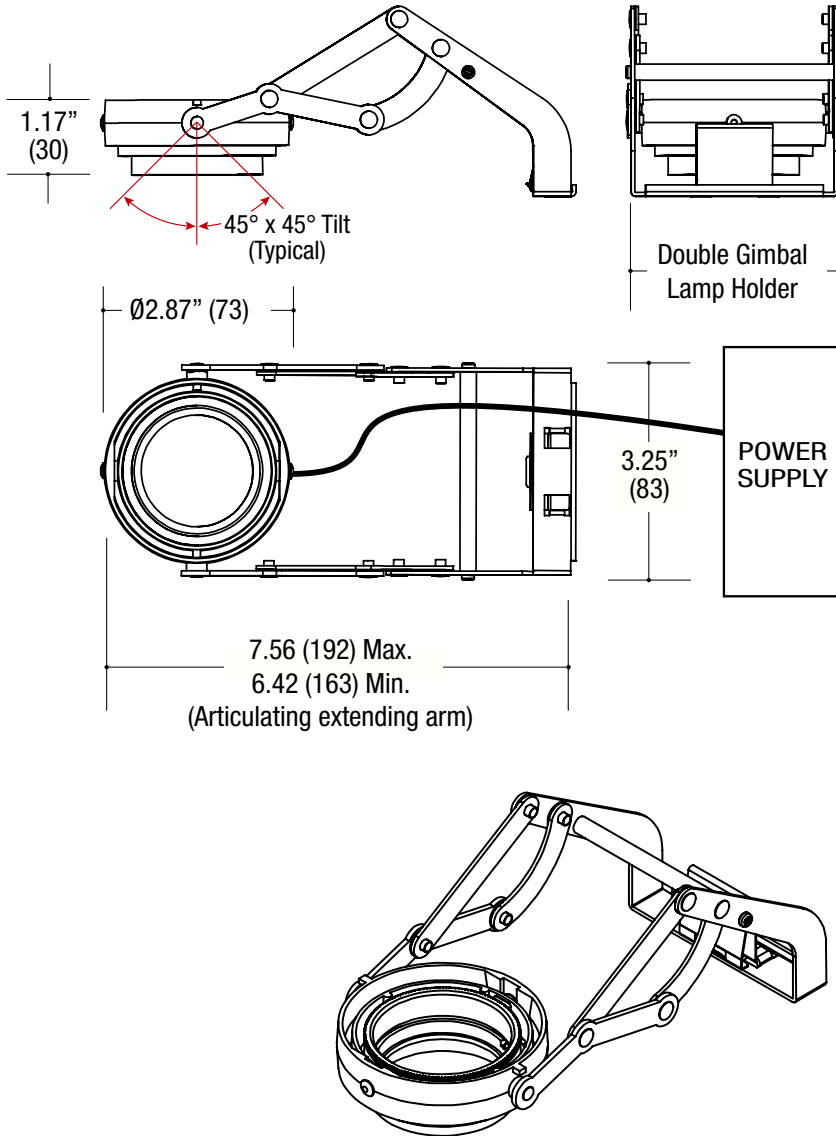


PROJECT	TYPE	CATALOG NUMBER
---------	------	----------------



SIDE MOUNT SPOTLIGHT

- Steel construction articulating extending arm
- Die cast aluminum double gimbal lamp holder
- 45° x 45° tilt adjustment
- Powder coat finish

LED SOURCE

- Field-replaceable integral LED module
- Field-changeable optic
- 11W / 950lm, 80CRI / 3000K
- 16W / 1100lm, 80CRI / 3000K
- 23W / 1450lm, 80CRI / 3000K
- Accepts up to 2 or more optical accessories

ELECTRICAL

- Field-replaceable LED driver
- Optional dimming

MOUNTING

- Die cast aluminum extension arms
- Snap in, twist-lock mounting
- EF100 / EFC Channel (*Sold Separately*)

LABELS

- Suitable for damp location

ORDERING INFO

**5 YEAR
WARRANTY**
Limited



SERIES	WATTAGE	CRI / COLOR	BEAM	DRIVER	VOLTAGE	FINISH
EFX03B	11L 11W LED 950 lm nom.	8027 80CRI / 2700K 8030 80CRI / 3000K 8035 80CRI / 3000K	N Narrow M Medium W Wide	LD LED Driver D1 Phase Dimming 120V*	1 120V U 120-277V	BB Black XX Custom
EF100 ARTICULATING ARM SMALL Double Gimbal Lamp Holder Side Mount Variable Adjustment EF100 / EFC Channel Mount	16L 16W LED 1100 lm nom.	8040 80CRI / 4000K 9027 90CRI / 2700K 9030 90CRI / 3000K		D2 0-10V Dimming 120-277V * Consult factory		
	23L 23W LED 1450 lm nom.	9727 97CRI / 2700K 9730 97CRI / 3000K				

Ordering Example: **EFX03B-16L-8027-N-D1-1-BB**

©2014 LF ILLUMINATION LLC

We reserve the right to change or withdraw specifications without prior notice.

HEADQUARTERS
9200 Deering Avenue
Chatsworth CA 91311

Telephone: 818-885-1335
Toll Free: 855-885-1335
Fax: 818-576-1335

www.lfillumination.com
rev: 062414