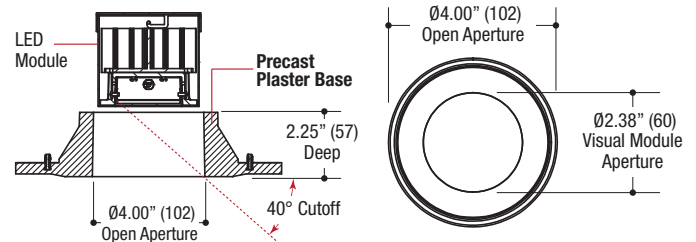
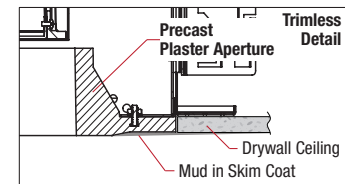
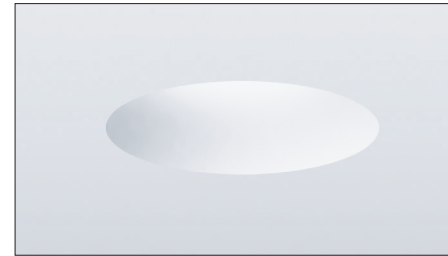
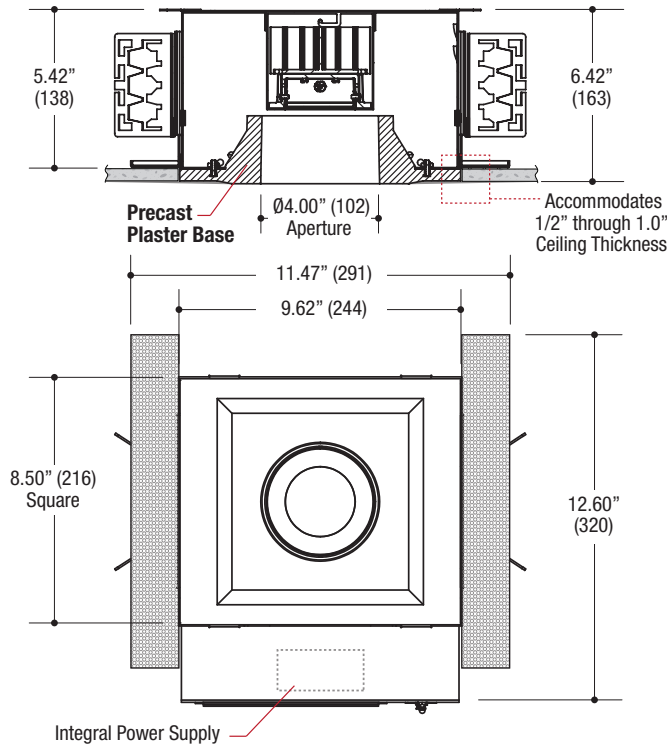


PROJECT	TYPE	CATALOG NUMBER
---------	------	----------------



Specifications

ROUND PLASTER TRIMLESS DOWNLIGHT

- Housing of all steel construction
- White powder coat finish
- 4.00" dia. x 2.25" deep aperture of precast plaster
- **Ceiling Cut-out - 9.62" x 8.50"**

LED SOURCE

- Field-replaceable integral LED module
- 11W / 725lm, 90CRI / 3000K
- 16W / 1065lm, 90CRI / 3000K
- 25W / 1700lm, 90CRI / 3000K

ORDERING INFO

HOUSING SERIES	WATTAGE	CRI / COLOR	BEAM	MECHANISM	DRIVER	VOLTAGE	FINISH	OPTIONS
VF3R-1BA-S	11M 11W LED 725lm nom.	9027 90CRI / 2700K 9030 90CRI / 3000K 9035 90CRI / 3500K 9040 90CRI / 4000K 9018 90CRI / 2700K - 1800K Sunset Dimming	W Wide	FD Fixed	D1 Phase Dimming (120V only) D2 0-10V Dim. Driver	1 120V U Universal 120-277V	WW White	CP Chicago Plenum EM Emergency Relay IC Insulated Ceiling (IC rated 25W max.)
VF300 SERIES 4.00" Round Precast Plaster Trimless Aperture Fixed Downlight New Construction Housing	16M 16W LED 1060 lm nom. 25M 25W LED 1700 lm nom.							

Order Example: **VF3R-1BA-S-16M-9027-W-FD-D2-U-WW-CP**

ELECTRICAL

- Field-replaceable integral LED driver
- Electrical wiring compartment integrated into housing construction
- Internal thermal protection
- Easy maintenance access through ceiling opening
- Rated for through-branch wiring
- Optional dimming

MOUNTING

- Butterfly brackets for commercial installation in drywall and other mud in ceiling types
- Perforated plate adjusts for 1/2", 5/8", 3/4" & 1.0" ceiling thickness
- Includes Heavy-Duty **L-Bars™** hanger bar system for residential installation

LABELS

- Suitable for damp location
- **IC rated / Air-Tight**

5 YEAR WARRANTY
 Limited

