

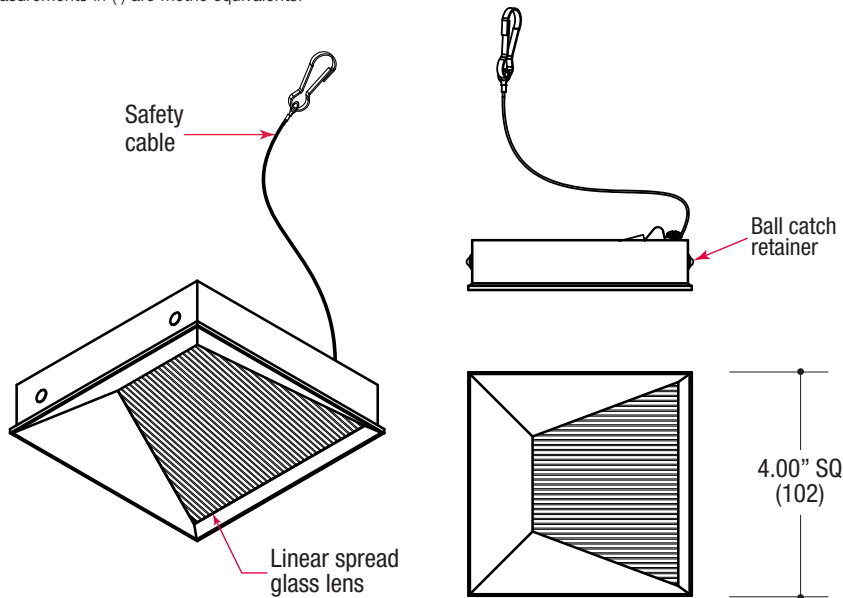
TRIMLESS

MR16 & CMH

PROJECT	TYPE	CATALOG NUMBER
---------	------	----------------

9632 **SMALL APERTURE SQUARE WALLWASH ACCENT** - The VF150 Series high efficiency family of products meet and exceed the needs of today's lighting designers and specifiers that are seeking performance. Available in an LED retrofit that works with SORAA®.

Measurements in () are metric equivalents.



Specifications

SQUARE TRIMLESS WALLWASH

- Recessed adjustable wallwash
- 4.00" square die-cast aluminum trimless insert
- 1.75" regress for greater cut-off
- Linear spread lens
- Ball catch retainer for easy trim insertion and removal
- Safety cable included
- Powder coat finish

TRIM ORDERING INFO

TRIM SERIES	TRIM FINISH	OPTIONS
9632 4.00" SQUARE Adjustable Wallwash Die-Cast Trimless Insert Linear Spread Lens	MB Black MW White XX Custom	SH Shower rated

Example: **9632-MW-SH**

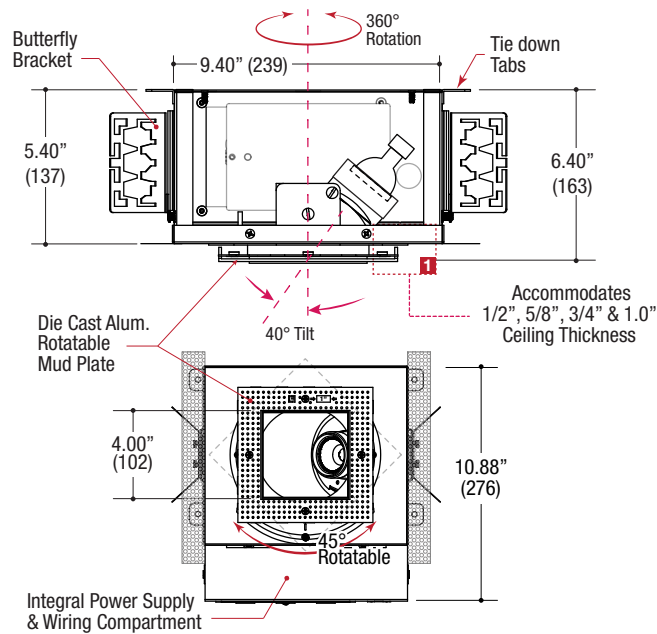


HOUSING ORDERING INFO

SERIES	WATTAGE / LAMP	HOUSING TYPE	POWER SUPPLY	VOLTAGE	OPTIONS
HVS-1BA-S Small Square Trimless New Construction Housing Black finish is standard	020MR16X MR16 20W	AD Adjustable	ET Electronic Transformer MT Magnetic Transformer TT Q-Tran Toroidal Transformer	1 120V 2 277V	IC Insulated Ceiling* * MR16 only 37W max.
	037MR16X MR16 37W				
	050MR16X MR16 50W				
	015MR16X MR16 15W LED Retrofit				
020CM16X 20W CMHMR16	039CM16X 39W CMHMR16		EB Electronic Metal Halide Ballast		

Ordering Example: **HVS-1BA-S-037MR16X-ET-AD-1-IC**

Measurements in () are metric equivalents.



(HVS-1BA-S)
SMALL SIZED HOUSING
(AD) Adjustable Downlight

Specifications

SQUARE TRIMLESS HOUSING

- Housing of all steel construction
- Adjustable die-cast aluminum mud plate
- Black powder coat finish
- **Ceiling Cut-out - 6.50" x 6.50"**

LAMPS SOURCE *(lamp not included)*

- 12V MR16 50W max - Derate Labels Available
- CMHMR16 in 20W or 39W
- LED Retrofit 15W max - Works with SORAA®

ELECTRICAL

- Integral electronic, magnetic or toroidal transformer, metal halide ballast
- Electrical wiring compartment integrated into housing construction
- Thermal protection
- Easy maintenance access through ceiling opening
- Rated for through-branch wiring
- Dimmable (12V)

MOUNTING

- Butterfly brackets for commercial installation in drywall or other mud in ceiling types
- Perforated plate adjusts for 1/2", 5/8", 3/4" & 1.0" ceiling thickness
- Includes Heavy-Duty **L-Bars™** hanger bar system for residential installation

LABELS

- Suitable for damp location, except when ordered with shower trim - Suitable for wet location
- **Air-Tight / IC Optional**



(HVS-1BA-S)
SMALL SIZED HOUSING

