

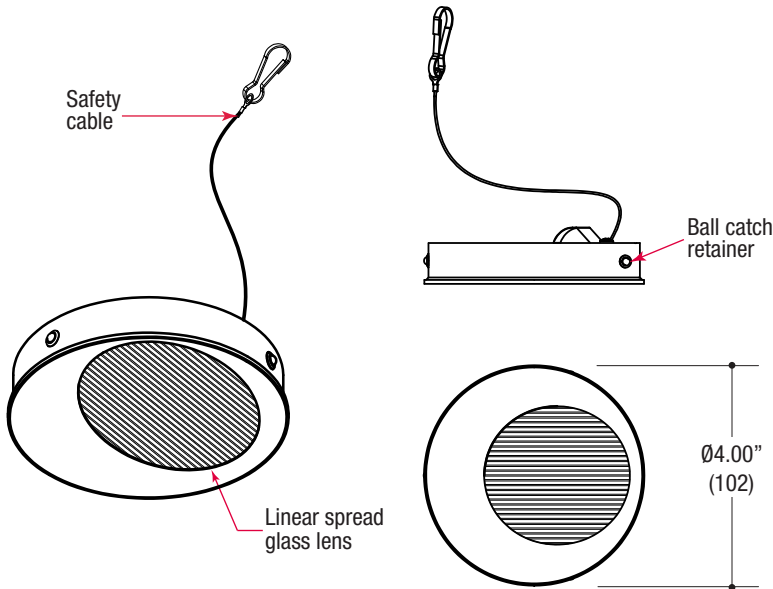
PROJECT

TYPE

CATALOG NUMBER

Measurements in ( ) are metric equivalents.

**9631** **ROUND TRIMLESS WALLWASH ACCENT** - The VF150 Series is a high efficiency family of products that meet and exceed the needs of today's lighting designers and specifiers that are seeking performance. Formed of die-cast aluminum.



## Specifications

### ROUND TRIMLESS WALLWASH ACCENT

- Adjustable light output application
- 4.00" round die-cast aluminum trimless insert
- Linear spread lens
- 1.75" regress for greater cut-off
- Ball catch retainer for easy trim insertion and removal
- Safety cable included
- Powder coat finish

### TRIM ORDERING INFO

TRIM SERIES	TRIM FINISH	OPTIONS
<b>9631</b>	<b>MW</b> White <b>MB</b> Black <b>XX</b> Custom	<b>SH</b> Shower rated
<b>4.50" Round Wallwash Accent</b> Die-Cast Aluminum Trimless Insert		

Example: **9631-MW-SH**

**5 YEAR WARRANTY**  
Limited



### HOUSING ORDERING INFO

SERIES	WATTAGE	CRI / COLOR	BEAM	HSG TYPE	DIMMING	VOLTAGE	OPTIONS
<b>HVR-1BA-S</b> Small Round Trimless New Construction Housing	<b>14R</b> 14W LED <b>20R</b> 20W LED	<b>9018</b> 90CRI LumaDIM™ 3000-1800K	<b>W</b> Wide	<b>AD</b> Adjustable	<b>W1</b> 0-10V (9018) 0-10V, Bluetooth or DMX (CT16) <b>W4</b> EcoSystem Compatible (Remote DCA required-See accessory page for options) <b>W5</b> EcoSystem Ready Integral 1 Channel DCA (9018) <b>W6</b> EcoSystem Ready Integral 2 Channel DCA (CT16) <b>W7</b> EcoSystem Ready Integral 4 Channel DCA (CT16)	<b>U</b> 120-277V	<b>IC</b> Insulated Ceiling <b>EM</b> Remotely Mounted Emergency LED Inverter
<b>HVR-1BA-S</b>		<b>CT16</b> 90CRI LumaTUNE™ 4000-1650K					

Ordering Example: **HVR-1BA-S-14R-9018-W-AD-W1-U-EM**



VF150 and LumaDIM™ together provide a whole new level of choice for light output with fully adjustable color control

LEDs have proven an effective source for many lighting applications. In the case of architectural lighting, accent and display applications have been the most widely used. Until now these designs have been limited to a single color temperature. Today, with greatly improved color quality and warm CCTs at high CRI levels, LEDs are now being used in hospitality and other areas where the effect of a "warm incandescent" type of lighting is needed. LumaDIM™ from LF Illumination can dim our VF100 LED products from a 3000K CCT at full brightness to 1800K at 1% of full range, and maintain a 90 CRI throughout, creating a warm output never before achievable with LED sources.

## Specifications

### ROUND TRIMLESS HOUSING

- Housing of all steel construction
- Adjustable plaster frame
- Black powder coat finish
- **Ceiling Cut-out - Ø6.50"**

### LED TECHNOLOGIES

#### LumaDIM™ Warm dimming LED

- 14W / 600lm, 90CRI / 3000-1800K
- 20W / 900lm, 90CRI / 3000-1800K

[\(Click for more about LumaDIM™\)](#)



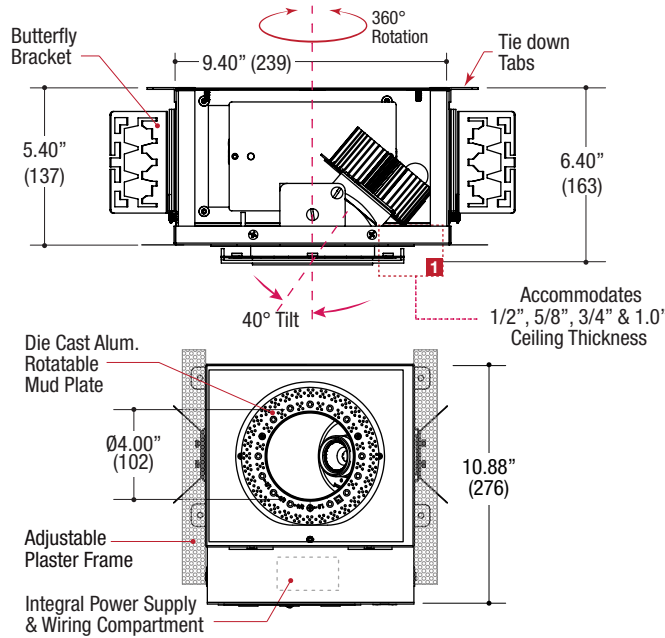
#### LumaTUNE™ Adjustable color tuning

- 14W / 600lm, 90CRI / 4000-1650K
- 20W / 900lm, 90CRI / 4000-1650K

[\(Click for more about LumaTUNE™\)](#)



## Dimming



(HVR-1BA-S)  
**SMALL SIZED HOUSING**  
(AD) Adjustable Downlight



VF150 and LumaTUNE™ together provide a whole new level for white light technology, 100% - 1% tunable and dimmable

In the case of architectural lighting, the range of applications have been greater and specifications more demanding of LED technology. Typically these LED designs have been limited to a single color temperature.

LumaTUNE™ offers a tunable range of 1650-4000K at high CRI levels. Dimming to 1% with fixed CCT or Dimming to 1% with variable CCT to replicate halogen dimming profiles. Rather it be specification grade directional downlight, retail, accent, cosmetic-counters, hospitality or museums

LF Illumination's LumaTUNE™ offers greater versatility for the lighting designer's ever challenging demands.

### ELECTRICAL

- Field-replaceable integral LED driver
- Electrical wiring compartment integrated into housing construction
- Internal thermal protection
- Easy maintenance access through ceiling opening
- Rated for through-branch wiring
- Optional dimming

### MOUNTING

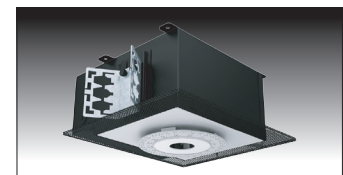
- Butterfly brackets for commercial installation in drywall and other mud in ceiling types
- Perforated plate adjusts for 1/2", 5/8", 3/4" & 1.0" ceiling thickness
- Includes Heavy-Duty L-Bars™ hanger bar system for residential installation

### LABELS

- Suitable for damp location, except when ordered with shower trim - Suitable for wet location
- **Air-Tight / IC Optional**

0-10V DIMMING COMPATIBILITY TABLE

BRAND / MODEL	PART #	BRAND / MODEL	PART #
Lutron DIVA	DVSTV	Vantage INFUSION	LVOS-0-10-PWM-DIN
Lutron NOVA	NTFTV	Vantage INFUSION	LVOS-1-10-PWM-P
Lutron NOVA	NTTV	Crestron iLUX	CLS-EXP-DIMFLV
Lutron HWQS	LMJ-5T-DV-B	Crestron DIN	DIN-4DIMFLV4
Lutron POWPAK	RMJ-5T-DV-B	Crestron Green Light	GLX-DIMFLV8
Lutron Grafik Eye 3000	GRX-TVI	Crestron Green Light	GLXP-DIMFLV8
Lutron Grafik Eye 4000	GRX-TVI	Crestron DIN	DIN-A08
Lutron QS ENERGI SAVR	QNS-4T16-S		



(HVR-1BA-S)  
**SMALL SIZED HOUSING**

**5 YEAR WARRANTY**  
Limited



**IC / Air-Tight**