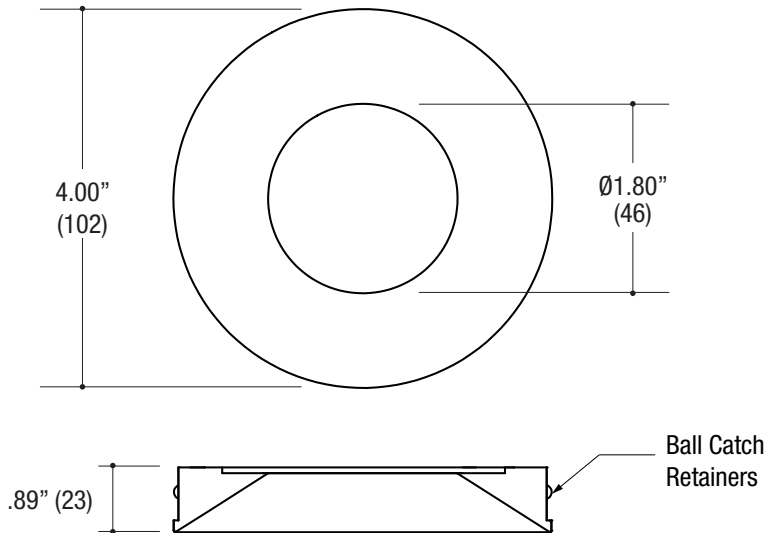


PROJECT	TYPE	CATALOG NUMBER
---------	------	----------------

9601 SMALL APERTURE ROUND BEVEL ACCENT - The VF150 Series high efficiency family of products meet and exceed the needs of today's lighting designers and specifiers that are seeking performance. Available in an LED retrofit that works with SORAA®.

Measurements in () are metric equivalents.



Specifications

ROUND TRIMLESS DOWNLIGHT

- Fixed or adjustable light output application
- Ø4.00" beveled die-cast aluminum
- Small 1.80" round aperture
- Trimless insert
- Accepts up to 2 or more optical accessories
- Ball catch retainer for easy trim insertion and removal with safety cable included
- Powder coat finish

TRIM ORDERING INFO

TRIM SERIES	TRIM FINISH	OPTIONS
9601 4.00" ROUND Small Aperture Die-Cast Beveled Trimless Insert	MB Black MW White XX Custom	CL Clear lay-in lens DL Diffusion lay-in lens SHCL Shower rated Clear lay-in lens SHDL Shower rated Diffusion lay-in lens

Example: **9601-MW-CL**

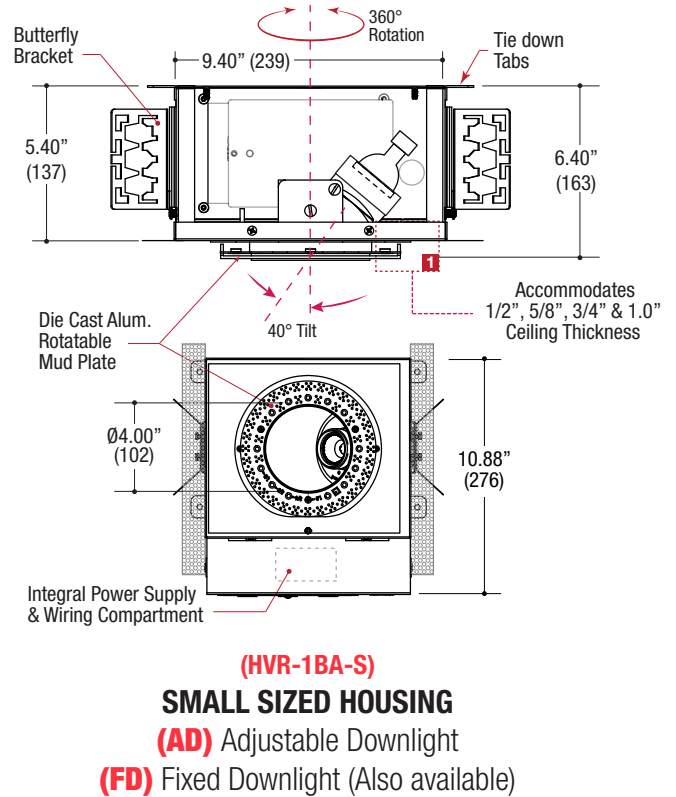
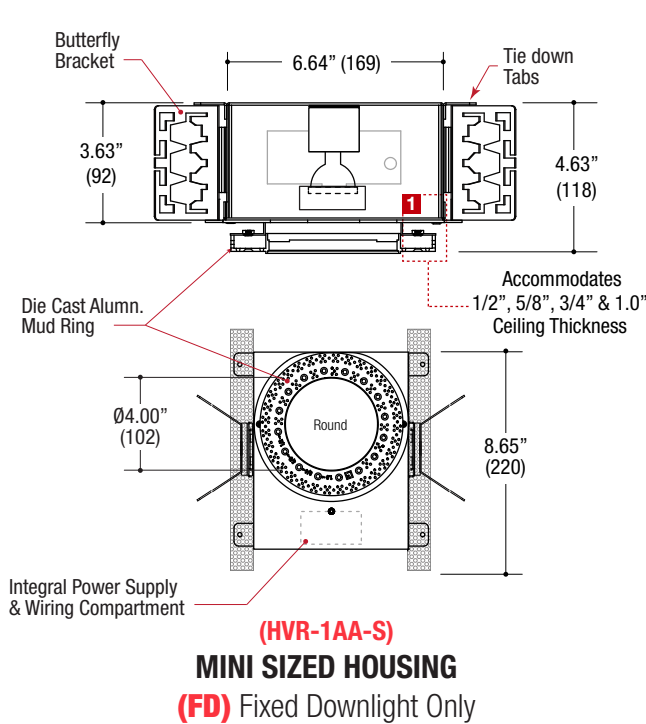


HOUSING ORDERING INFO

SERIES	WATTAGE / LAMP	HOUSING TYPE	POWER SUPPLY	VOLTAGE	OPTIONS
HVR-1AA-S Mini Round Trimless New Construction Housing	020MR16X MR16 20W	FD Fixed AD Adjustable*	ET Electronic Transformer MT Magnetic Transformer TT Q-Tran Toroidal Transformer*	1 120V 2 277V	IC Insulated Ceiling* * MR16 only - 20W max HVR-1AA-S mini housing - 37W max HVR-1BA-S small housing
	037MR16X MR16 37W				
HVR-1BA-S Small Round Trimless New Construction Housing	050MR16X MR16 50W	* HVR-1BA-S Small housing only	EB Electronic Metal Halide Ballast*	* Not available in HVR-1AA-S mini housing	
	015MR16X MR16 15W LED Retrofit				
Black finish is standard	020CM16X 20W CMHMR16*	* HVR-1BA-S Small housing only	* Not available in HVR-1AA-S mini housing		
	039CM16X 39W CMHMR16*				

Ordering Example: **HVR-1BA-S-037MR16X-FD-ET-1-IC**

Measurements in () are metric equivalents.



Specifications

ROUND TRIMLESS HOUSING

- Housing of all steel construction
- Adjustable die-cast aluminum mud ring
- Black powder coat finish
- **Ceiling Cut-out - Ø6.50"**

LAMPS SOURCE *(lamp not included)*

- 12V MR16 50W max - Derate Labels Available
- CMHMR16 in 20W or 39W
- LED Retrofit 15W max - Works with SORAA®

ELECTRICAL

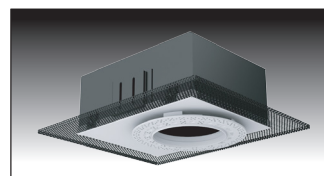
- Integral electronic, magnetic or toroidal transformer, metal halide ballast
- Electrical wiring compartment integrated into housing construction
- Thermal protection
- Easy maintenance access through ceiling opening
- Rated for through-branch wiring
- Dimmable (12V)

MOUNTING

- Butterfly brackets for commercial installation in drywall or other mud in ceiling types
- Perforated plate adjusts for 1/2", 5/8", 3/4" & 1.0" ceiling thickness
- Includes Heavy-Duty **L-Bars™** hanger bar system for residential installation

LABELS

- Suitable for damp location, except when ordered with shower trim - Suitable for wet location
- **Air-Tight / IC Optional**

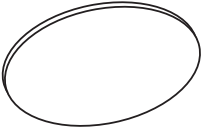
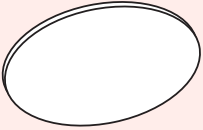
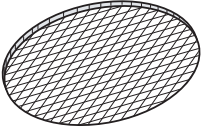
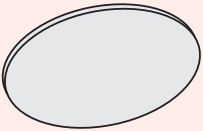
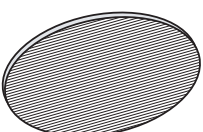
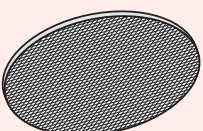


(HVR-1AA-S)
MINI SIZED HOUSING



(HVR-1BA-S)
SMALL SIZED HOUSING



OPTICAL ACCESSORY	DESCRIPTION	LIGHT SOURCE
		MINI / SMALL
	Clear Lens	OPTB-CLR Ø2.00" (51mm) nom.
	Clear Lens - LED Film	OPTB-L-CLR Ø2.00" (51mm) nom.
	UV Lens	OPTB-UVL Ø2.00" (51mm) nom.
	Hex Cell Louver	OPTB-HXL Ø2.00" (51mm) nom.
	Diffusion Lens	OPTB-DFL Ø2.00" (51mm) nom.
	Diffusion Lens - LED Film	OPTB-L-DFL Ø2.00" (51mm) nom.
	Linear Spread Lens	OPTB-LSL Ø2.00" (51mm) nom.
	Linear Spread Lens - LED Film	OPTB-L-LSL Ø2.00" (51mm) nom.
	Prismatic Spread Lens	OPTB-PSL Ø2.00" (51mm) nom.

* Other filters, colored glass, dichroics & micro-lenses available upon request