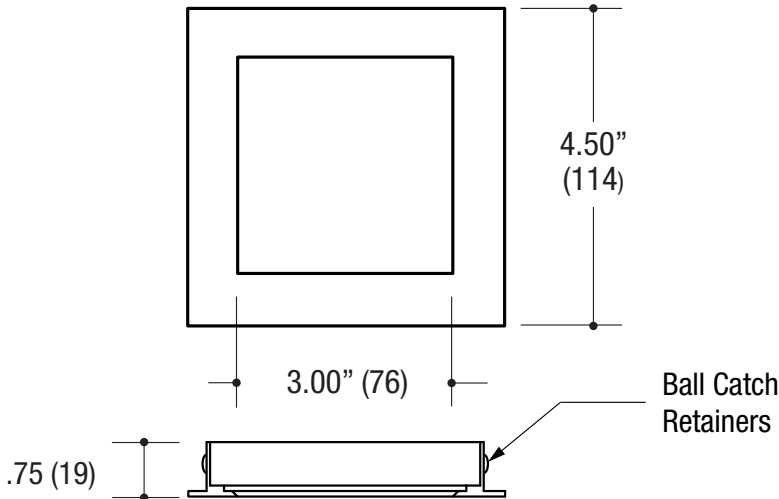


PROJECT	TYPE	CATALOG NUMBER
---------	------	----------------

**8802 SQUARE FLAT TRIMMED ACCENT** - The VF150 Series large aperture, high efficiency family of products meet and exceed the needs of today's lighting designers and specifiers that are seeking performance. Available in an LED retrofit that works with SORAA®.

Measurements in ( ) are metric equivalents.



(Shown with lens)

## Specifications

### SQUARE TRIMMED DOWNLIGHT

- Fixed or adjustable light output application
- 4.50" square flat die-cast aluminum trim
- 3.00" square large aperture
- .75" face trim
- Accepts up to 2 or more optical accessories
- Ball catch retainer for easy trim insertion and removal with safety cable included
- Powder coat finish

### TRIM ORDERING INFO

TRIM SERIES	TRIM FINISH	OPTIONS
<b>8802</b>  4.50" SQUARE Large Aperture Die-Cast Flat Trim	<b>MB</b> Black <b>MW</b> White <b>XX</b> Custom	<b>CL</b> Clear lay-in lens <b>DL</b> Diffusion lay-in lens <b>SHCL</b> Shower rated Clear lay-in lens <b>SHDL</b> Shower rated Diffusion lay-in lens

Example: **8802-MW-CL**

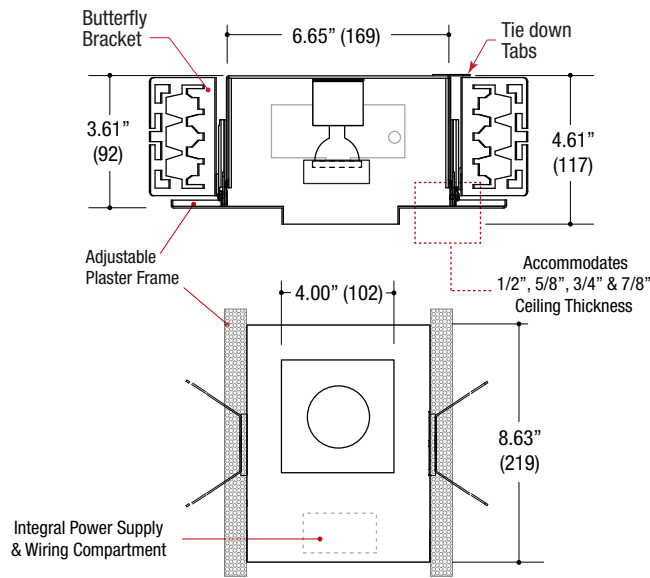


### HOUSING ORDERING INFO

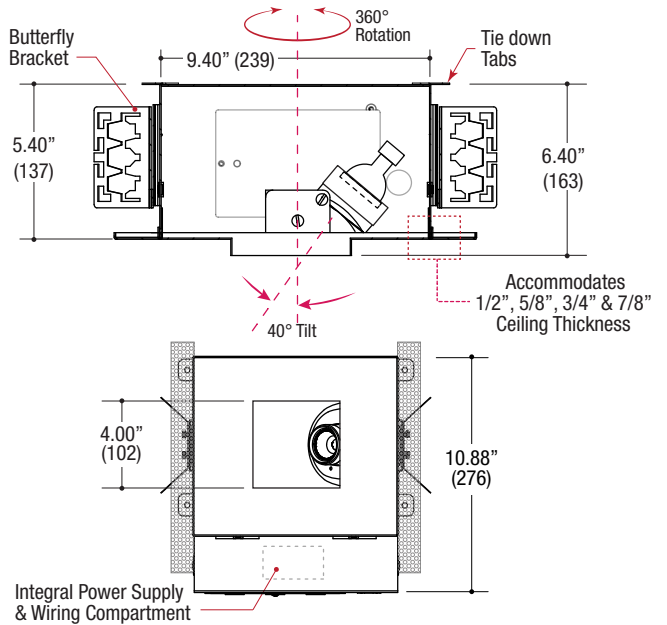
SERIES	WATTAGE / LAMP	HOUSING TYPE	POWER SUPPLY	VOLTAGE	OPTIONS
<b>HVS-1AA-T</b> Mini Square Trimmed New Construction Housing	<b>020MR16X</b> MR16 20W <b>037MR16X</b> MR16 37W <b>050MR16X</b> MR16 50W	<b>FD</b> Fixed <b>AD</b> Adjustable*	<b>ET</b> Electronic Transformer <b>MT</b> Magnetic Transformer <b>TT</b> Q-Tran Toroidal Transformer*	<b>1</b> 120V <b>2</b> 277V	<b>IC</b> Insulated Ceiling*
<b>HVS-1BA-T</b> Small Square Trimmed New Construction Housing	<b>015MR16X</b> MR16 15W LED Retrofit  <b>020CM16X</b> 20W CMHMR16* <b>039CM16X</b> 39W CMHMR16*	* HVS-1BA-T Small housing only	* 20W max. HVS-1AA-T mini housing  <b>EB</b> Electronic Metal Halide Ballast*		* MR16 only  - 20W max HVS-1AA-T mini housing  - 37W max HVS-1BA-T small housing
Black finish is standard	* Not available in HVS-1AA-T mini housing		* Not available in HVS-1AA-T mini housing		

Ordering Example: **HVS-1BA-T-037MR16X-FD-ET-1-IC**

Measurements in ( ) are metric equivalents.



**(HVS-1AA-T)**  
**MINI SIZED HOUSING**  
**(FD)** Fixed Downlight Only



**(HVS-1BA-T)**  
**SMALL SIZED HOUSING**  
**(AD)** Adjustable Downlight  
**(FD)** Fixed Downlight (Also available)

## Specifications

### SQUARE TRIMMED HOUSING

- Housing of all steel construction
- Adjustable die-cast aluminum mud plate
- Black powder coat finish
- **Ceiling Cut-out - 4.25" x 4.25"**

### LAMPS SOURCE *(lamp not included)*

- 12V MR16 50W max - Derate Labels Available
- CMHMR16 in 20W or 39W
- LED Retrofit 15W max - Works with SORAA®

### ELECTRICAL

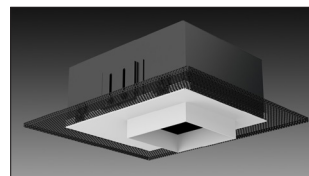
- Integral electronic, magnetic or toroidal transformer, metal halide ballast
- Electrical wiring compartment integrated into housing construction
- Thermal protection
- Easy maintenance access through ceiling opening
- Rated for through-branch wiring
- Dimmable (12V)

### MOUNTING

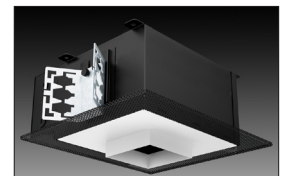
- Butterfly brackets for commercial installation in drywall, wood, stone, acoustic tile, or other ceiling types
- Perforated plate adjusts for 1/2", 5/8", 3/4" & 7/8" ceiling thickness
- Includes Heavy-Duty **L-Bars™** hanger bar system for residential installation

### LABELS

- Suitable for damp location, except when ordered with shower trim - Suitable for wet location
- **Air-Tight / IC Optional**

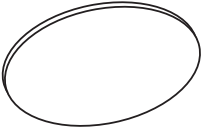
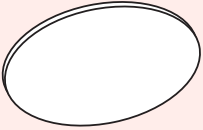
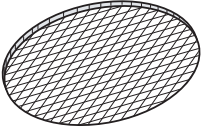
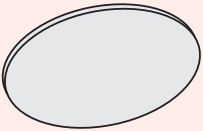
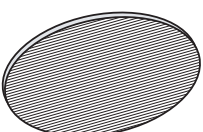
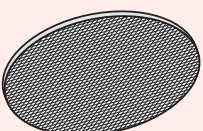


**(HVS-1AA-T)**  
**MINI SIZED HOUSING**



**(HVS-1BA-T)**  
**SMALL SIZED HOUSING**



OPTICAL ACCESSORY	DESCRIPTION	LIGHT SOURCE
		MINI / SMALL
	Clear Lens	OPTB-CLR Ø2.00" (51mm) nom.
	Clear Lens - LED Film	OPTB-L-CLR Ø2.00" (51mm) nom.
	UV Lens	OPTB-UVL Ø2.00" (51mm) nom.
	Hex Cell Louver	OPTB-HXL Ø2.00" (51mm) nom.
	Diffusion Lens	OPTB-DFL Ø2.00" (51mm) nom.
	Diffusion Lens - LED Film	OPTB-L-DFL Ø2.00" (51mm) nom.
	Linear Spread Lens	OPTB-LSL Ø2.00" (51mm) nom.
	Linear Spread Lens - LED Film	OPTB-L-LSL Ø2.00" (51mm) nom.
	Prismatic Spread Lens	OPTB-PSL Ø2.00" (51mm) nom.

\* Other filters, colored glass, dichroics & micro-lenses available upon request