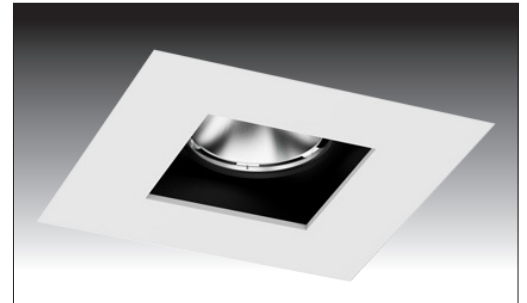
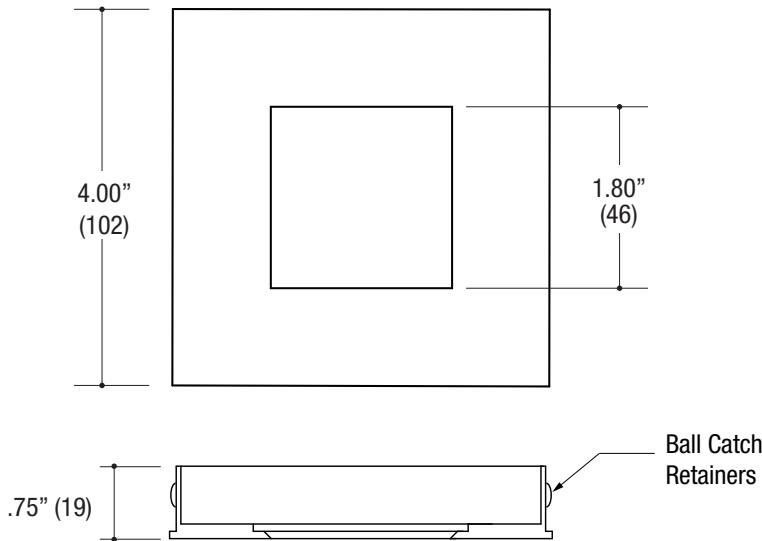


PROJECT	TYPE	CATALOG NUMBER
---------	------	----------------

Measurements in ( ) are metric equivalents.

**9902 SQUARE FLAT TRIMLESS ACCENT** - The VF150 Series is a family of products that meet and exceed the needs of today's lighting designers and specifiers that are seeking performance. Formed of die-cast aluminum.



## Specifications

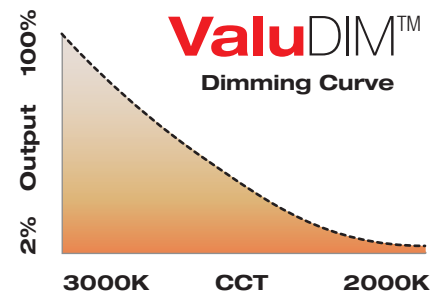
### SQUARE DOWNLIGHT

- Recessed fdownlight
- 4.00" square flat die-cast aluminum
- Small 1.80" square aperture
- Trimless insert
- Accepts up to 2 or more optical accessories
- Ball catch retainer for easy trim insertion and removal with safety cable included
- Powder coat finish

### TRIM ORDERING INFO

TRIM SERIES	TRIM FINISH	LAY-IN LENS / FILM
<b>9902</b>	<b>MB</b> Black <b>MW</b> White <b>XX</b> Custom	<b>CL</b> Clear Lens <b>DL</b> Diffused Lens <b>DF</b> Diffused Film <b>WF</b> Wide Distribution Film <b>SHCL</b> Shower Rated Clear Lens <b>SHDL</b> Shower Rated Diffused Lens <b>SHDF</b> Shower Rated Diffused Film <b>SHWF</b> Shower Rated Wide Distribution Film
<b>4.00" SQUARE FLAT</b> Small Aperture Die-Cast Trimless Insert		
<b>9902</b>		

Example: **9902-MW-CL**



**ValuDIM™**

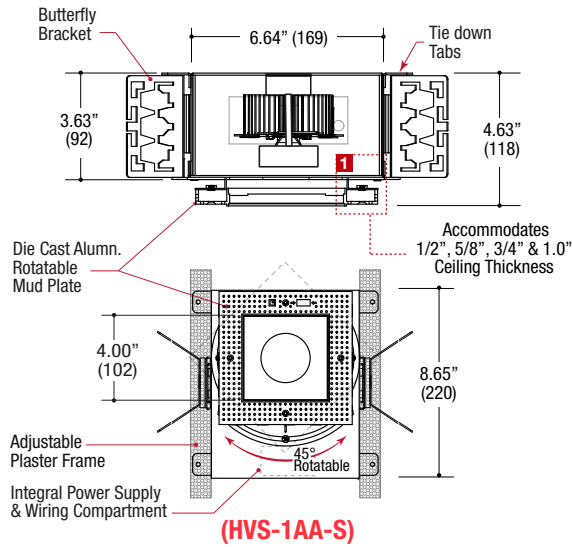
LF Illumination's new **ValuDIM™** warm dimming allows the features of warm dimming technology to be installed in fixtures and price points once thought impossible. The small footprint LED COB design uses many of our standard subassembly components and is compatible with virtually all standard dimming protocols currently available.

The LED itself maintains 95CRI typ (92CRI min) across the usable CCT range of 3000K to 2000K and dims down to around 2% visible light output. ValuDIM™ comes in three standard beam spread offerings of narrow, medium and wide.

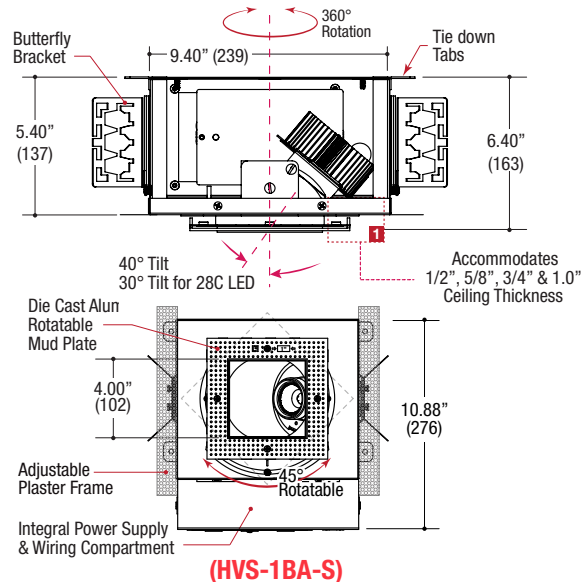


**5 YEAR WARRANTY**  
Limited

Measurements in ( ) are metric equivalents.



**(HVS-1AA-S)**  
**MINI SIZED HOUSING**  
**(FD)** Fixed Downlight Only



**(HVS-1BA-S)**  
**SMALL SIZED HOUSING**  
**(AD)** Adjustable Downlight  
**(FD)** Fixed Downlight (Also available)

## Specifications

### SQUARE TRIMLESS HOUSING

- Housing of all steel construction
- Adjustable die cast aluminum mud plate
- Black powder coat finish
- **Ceiling Cut-out - 6.50" x 6.50"**

### ELECTRICAL

- Field-replaceable integral LED driver
- Electrical wiring compartment integrated into housing construction
- Internal thermal protection
- Easy maintenance access through ceiling opening
- Rated for through-branch wiring
- Dimmable

### MOUNTING

- Butterfly brackets for commercial installation in drywall and other mud in ceiling types
- Perforated plate adjusts for 1/2", 5/8", 3/4" & 1.0" ceiling thickness
- Includes heavy-duty **L-Bars™** hanger bar system for residential installation

### LABELS

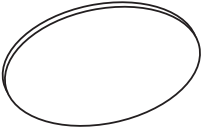
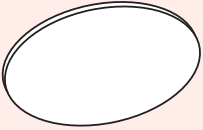
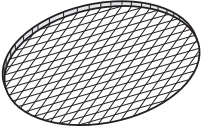
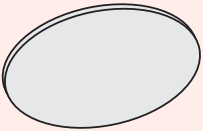
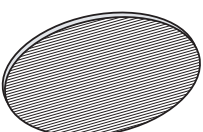
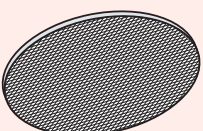
- Suitable for damp location, except when ordered with shower trim - Suitable for wet location
- **Air-Tight / IC Optional**



### HOUSING ORDERING INFO

SERIES	LED MODULE WATTAGE AND INFORMATION	CRI / COLOR	BEAM	HOUSING TYPE	DRIVER	VOLTAGE	OPTIONS
<b>HVS-1AA-S</b> Mini Square Trimless New Construction Housing	<b>BRIDGELUX</b> 11L 11W LED / 825lm nom. 16L 16W LED / 1100lm nom.	<b>8027</b> 80CRI / 2700K Bridgelux / CREE <b>8030</b> 80CRI / 3000K Bridgelux / CREE <b>8035</b> 80CRI / 3500K Bridgelux / CREE <b>8040</b> 80CRI / 4000K Bridgelux / CREE <b>9027</b> 90CRI / 2700K Bridgelux Only <b>9030</b> 90CRI / 3000K Bridgelux Only <b>9727</b> 97CRI / 2700K Bridgelux Only	<b>BRIDGELUX</b> <b>N</b> Narrow 20° <b>M</b> Medium 28° (Use lay-in film for wide distributions)	<b>FD</b> Fixed <b>AD</b> Adjustable*	* HVS-1BA-S Small housing only	1 120V 2 277V U 120-277V*	IC Insulated Ceiling (Not Available in 28C)  EM Remotely Mounted Emergency LED Inverter
	<b>HVS-1BA-S</b> Small Square Trimless New Construction Housing	<b>CREE</b> 09C 09W LED / 900lm nom. 14C 14W LED / 1200lm nom. 20C 20W LED / 1600lm nom.* 28C 28W LED / 2200lm nom.* *HVS-1BA-S Small housing only	<b>9730</b> 97CRI / 3000K Bridgelux Only <b>9527</b> 95CRI / 2700K CREE Only <b>9530</b> 95CRI / 3000K CREE Only <b>9535</b> 95CRI / 3500K CREE Only <b>9540</b> 95CRI / 4000K CREE Only	<b>CREE</b> <b>N</b> Narrow 16° <b>M</b> Medium 28° (Use lay-in film for wide distributions)			
Black finish is standard	<b>ValuDIM™</b> 15V 15W LED / 810lm nom. 3000-2000K Warm Dimming	<b>9220</b> 92CRI / 3000-2000K Warm Dimming ValuDIM Only	<b>ValuDIM™</b> <b>N</b> Narrow 17° <b>M</b> Medium 25° (Use lay-in film for wide distributions)				

Example: **HVS-1BA-S-14C-8027-N-FD-D2-U-IC**

OPTICAL ACCESSORY	DESCRIPTION	LIGHT SOURCE
		MINI / SMALL
		<ul style="list-style-type: none"> <li>• MR16</li> <li>• CMHMR16</li> <li>• 50mm LED</li> </ul>
	Clear Lens	OPTB-CLR Ø2.00" (51mm) nom.
	Clear Lens - LED Film	OPTB-L-CLR Ø2.00" (51mm) nom.
	UV Lens	OPTB-UVL Ø2.00" (51mm) nom.
	Hex Cell Louver	OPTB-HXL Ø2.00" (51mm) nom.
	Diffusion Lens	OPTB-DFL Ø2.00" (51mm) nom.
	Diffusion Lens - LED Film Diffusion Lens is included on all Luminaires installed with ValuDIM (15C9220) sources	OPTB-L-DFL Ø2.00" (51mm) nom.
	Linear Spread Lens	OPTB-LSL Ø2.00" (51mm) nom.
	Linear Spread Lens - LED Film	OPTB-L-LSL Ø2.00" (51mm) nom.
	Prismatic Spread Lens	OPTB-PSL Ø2.00" (51mm) nom.

\* Other filters, colored glass, dichroics & micro-lenses available upon request