

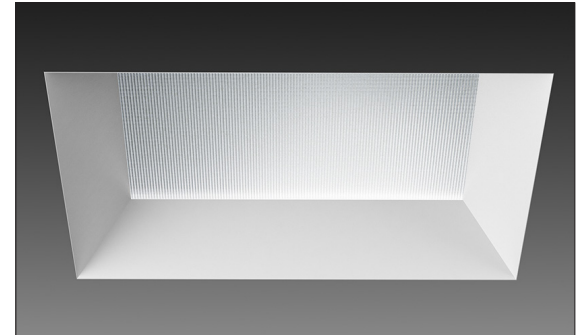
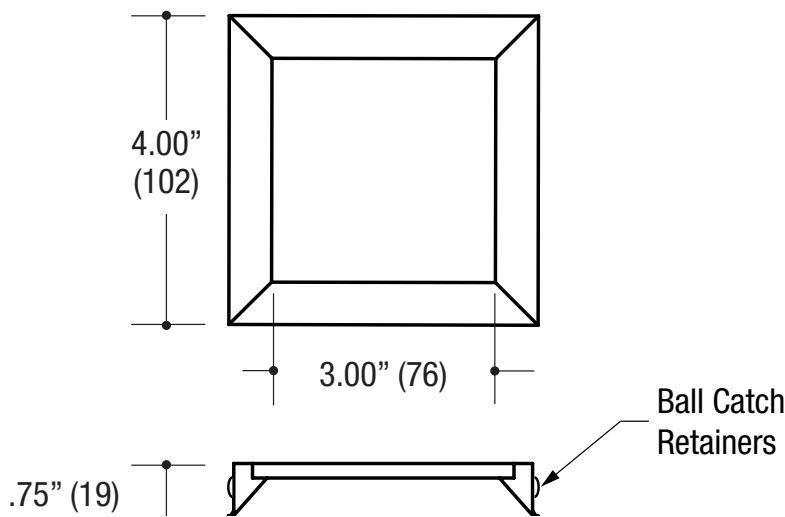
PROJECT

TYPE

CATALOG NUMBER

Measurements in () are metric equivalents.

9702 **SQUARE BEVELED TRIMLESS ACCENT** - The VF150 Series is a large aperture, high efficiency family of products that meet and exceed the needs of today's lighting designers and specifiers that are seeking performance. Formed of die-cast aluminum.



(Shown with lens)

Specifications

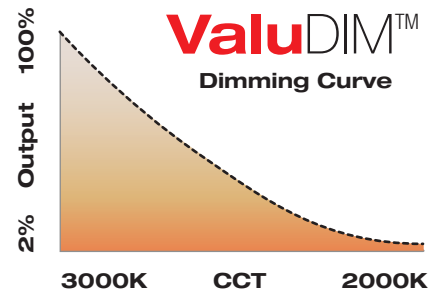
SQUARE BEVELED TRIMLESS ACCENT

- Fixed or adjustable light output application
- 4.00" square die-cast aluminum
- 3.00" square large aperture
- .75" bevel regress
- Trimless insert
- Ball catch retainer for easy trim insertion and removal
- Safety cable included
- Powder coat finish

TRIM ORDERING INFO

TRIM SERIES	TRIM FINISH	LAY-IN LENS / FILM
9702	MW White MB Black XX Custom	CL Clear lay-in lens DF Diffused lay-in film DL Diffused lay-in lens SHCL Shower rated Clear lay-in lens SHDF Shower rated Diffused lay-in film SHDL Shower rated Diffused lay-in lens
4.00" Square Beveled Accent Die-Cast Aluminum Trimless Insert		
9702		

Example: **9702-MB-SHCL**



ValuDIM™

LF Illumination's new **ValuDIM™** warm dimming allows the features of warm dimming technology to be installed in fixtures and price points once thought impossible. The small footprint LED COB design uses many of our standard subassembly components and is compatible with virtually all standard dimming protocols currently available.

The LED itself maintains 95CRI typ (92CRI min) across the usable CCT range of 3000K to 2000K and dims down to around 2% visible light output. ValuDIM™ comes in three standard beam spread offerings of narrow, medium and wide.

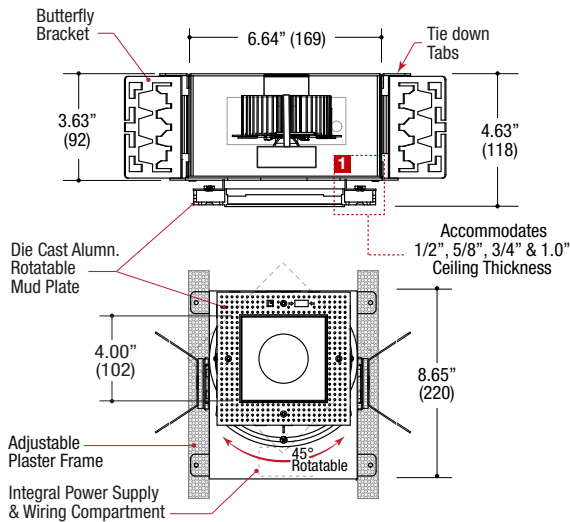


5 YEAR WARRANTY

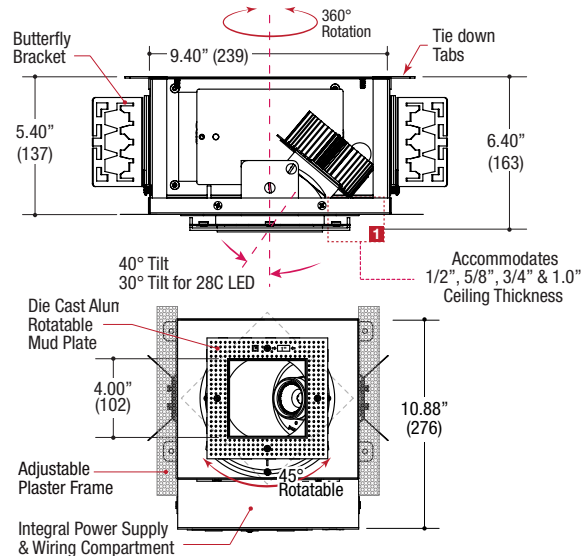
Limited

www.lfillumination.com
rev: 083017

Measurements in () are metric equivalents.



(HVS-1AA-S)
MINI SIZED HOUSING
(FD) Fixed Downlight Only



(HVS-1BA-S)
SMALL SIZED HOUSING
(AD) Adjustable Downlight
(FD) Fixed Downlight (Also available)

Specifications

SQUARE TRIMLESS HOUSING

- Housing of all steel construction
- Adjustable die cast aluminum mud plate
- Black powder coat finish
- **Ceiling Cut-out - 6.50" x 6.50"**

ELECTRICAL

- Field-replaceable integral LED driver
- Electrical wiring compartment integrated into housing construction
- Internal thermal protection
- Easy maintenance access through ceiling opening
- Rated for through-branch wiring
- Dimmable

MOUNTING

- Butterfly brackets for commercial installation in drywall and other mud in ceiling types
- Performed plate adjusts for 1/2", 5/8", 3/4" & 1.0" ceiling thickness
- Includes heavy-duty **L-Bars™** hanger bar system for residential installation

LABELS

- Suitable for damp location, except when ordered with shower trim - Suitable for wet location
- **Air-Tight / IC Optional**

HOUSING ORDERING INFO

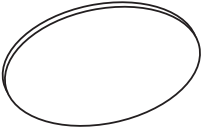
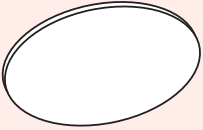
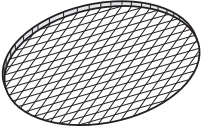
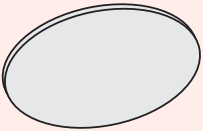
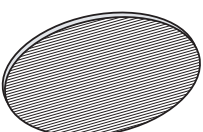
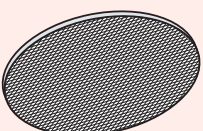
5 YEAR WARRANTY
 Limited



IC / Air-Tight

SERIES	LED MODULE WATTAGE AND INFORMATION	CRI / COLOR	BEAM	HOUSING TYPE	DRIVER	VOLTAGE	OPTIONS
HVS-1AA-S Mini Square Trimless New Construction Housing	BRIDGELUX 11L 11W LED / 825lm nom. 16L 16W LED / 1100lm nom.	8027 80CRI / 2700K Bridgelux / CREE	BRIDGELUX N Narrow 20° M Medium 28° W Wide 40° V Very Wide 74°	FD Fixed AD Adjustable*	D1 Phase Dimming (120V only) D2 0-10V Dimming (120-277V only) D3 Lutron Hi-lume™™ Forward Phase (120V only) D4 Lutron Hi-lume™™ EcoSystem™™ & 3 wire 1% (120-277V only) DE Lutron Hi-lume™™ EcoSystem™™ 1% with Soft-On, Fade-to-Black™™ 1% (120-277V only) * Not available in HVS-1AA-T mini housing	1 120V 2 277V U 120-277V*	IC Insulated Ceiling (Not Available in 28C) EM Remotely Mounted Emergency LED Inverter
		8030 80CRI / 3000K Bridgelux / CREE 8035 80CRI / 3500K Bridgelux / CREE 8040 80CRI / 4000K Bridgelux / CREE 9027 90CRI / 2700K Bridgelux Only 9030 90CRI / 3000K Bridgelux Only 9727 97CRI / 2700K Bridgelux Only 9730 97CRI / 3000K Bridgelux Only 9527 95CRI / 2700K CREE Only 9530 95CRI / 3000K CREE Only 9535 95CRI / 3500K CREE Only 9540 95CRI / 4000K CREE Only					
HVS-1BA-S Small Square Trimless New Construction Housing	CREE 09C 09W LED / 900lm nom. 14C 14W LED / 1200lm nom. 20C 20W LED / 1600lm nom.* 28C 28W LED / 2200lm nom.* *HVS-1BA-S Small housing only	9220 92CRI / 3000-2000K Warm Dimming ValuDIM™™ Only	CREE N Narrow 16° M Medium 28° W Wide 42° V Very Wide 73°	* HVS-1BA-S Small housing only			
		ValuDIM™™ 15V 15W LED / 810lm nom. 3000-2000K Warm Dimming					
Black finish is standard							

Example: **HVS-1BA-S-14C-8027-N-FD-D2-U-IC**

OPTICAL ACCESSORY	DESCRIPTION	LIGHT SOURCE
		MINI / SMALL
		<ul style="list-style-type: none"> • MR16 • CMHMR16 • 50mm LED
	Clear Lens	OPTB-CLR Ø2.00" (51mm) nom.
	Clear Lens - LED Film	OPTB-L-CLR Ø2.00" (51mm) nom.
	UV Lens	OPTB-UVL Ø2.00" (51mm) nom.
	Hex Cell Louver	OPTB-HXL Ø2.00" (51mm) nom.
	Diffusion Lens	OPTB-DFL Ø2.00" (51mm) nom.
	Diffusion Lens - LED Film Diffusion Lens is included on all Luminaires installed with ValuDIM (15C9220) sources	OPTB-L-DFL Ø2.00" (51mm) nom.
	Linear Spread Lens	OPTB-LSL Ø2.00" (51mm) nom.
	Linear Spread Lens - LED Film	OPTB-L-LSL Ø2.00" (51mm) nom.
	Prismatic Spread Lens	OPTB-PSL Ø2.00" (51mm) nom.

* Other filters, colored glass, dichroics & micro-lenses available upon request