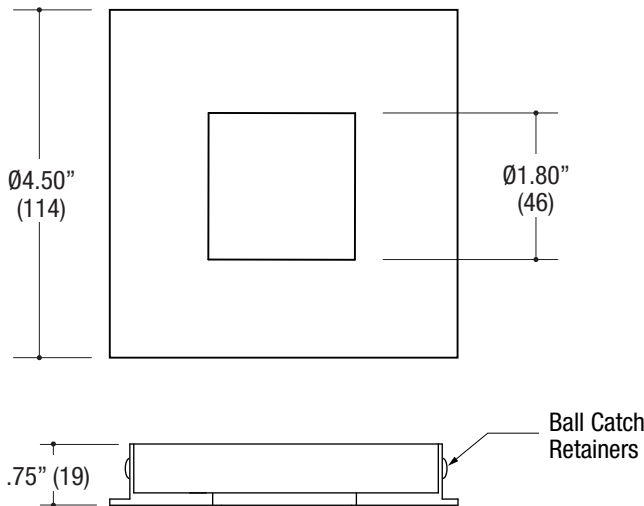


PROJECT	TYPE	CATALOG NUMBER
---------	------	----------------

Measurements in () are metric equivalents.

8902 SQUARE FLAT TRIMMED ACCENT - The VF150 Series is a high efficiency family of products that meet and exceed the needs of today's lighting designers and specifiers that are seeking performance. Formed of die-cast aluminum.



Specifications

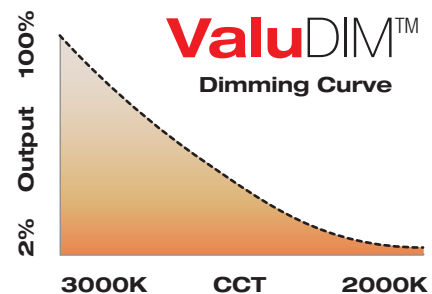
SQUARE TRIMMED DOWNLIGHT

- Fixed or adjustable light output application
- 4.50" square flat die-cast aluminum trim
- Small 1.80" square aperture
- 1.35" face trim
- Accepts up to 2 or more optical accessories
- Ball catch retainer for easy trim insertion and removal with safety cable included
- Powder coat finish

TRIM ORDERING INFO

TRIM SERIES	TRIM FINISH	LAY-IN LENS / FILM
8902	MW White MB Black XX Custom	CL Clear Lens DL Diffused Lens DF Diffused Film WF Wide Distribution Film SHCL Shower Rated Clear Lens SHDL Shower Rated Diffused Lens SHDF Shower Rated Diffused Film SHWF Shower Rated Wide Distribution Film
8902		

Example: **8902-MB-SHCL**



ValuDIM™

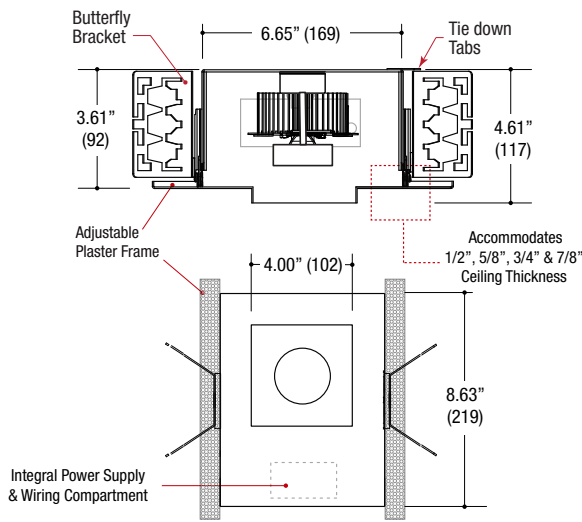
LF Illumination's new **ValuDIM™** warm dimming allows the features of warm dimming technology to be installed in fixtures and price points once thought impossible. The small footprint LED COB design uses many of our standard subassembly components and is compatible with virtually all standard dimming protocols currently available.

The LED itself maintains 95CRI typ (92CRI min) across the usable CCT range of 3000K to 2000K and dims down to around 2% visible light output. ValuDIM™ comes in three standard beam spread offerings of narrow, medium and wide.

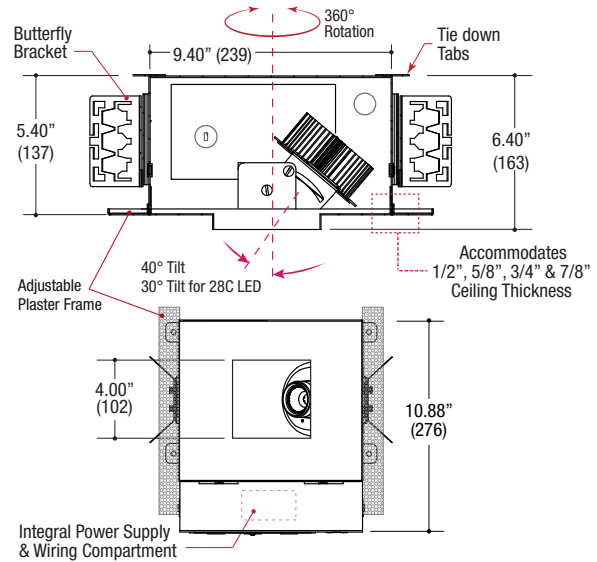


5 YEAR WARRANTY
Limited

Measurements in () are metric equivalents.



(HVS-1AA-T)
MINI SIZED HOUSING
(FD) Fixed Downlight Only



(HVS-1BA-T)
SMALL SIZED HOUSING
(AD) Adjustable Downlight
(FD) Fixed Downlight (Also available)

Specifications

SQUARE TRIMMED HOUSING

- Housing of all steel construction
- Adjustable plaster frame
- Black powder coat finish
- **Ceiling Cut-out - 4.25" x 4.25"**

ELECTRICAL

- Field-replaceable integral LED driver
- Electrical wiring compartment integrated into housing construction
- Internal thermal protection
- Easy maintenance access through ceiling opening
- Rated for through-branch wiring
- Dimmable

MOUNTING

- Butterfly brackets for commercial installation in drywall and other mud in ceiling types
- Perforated plate adjusts for 1/2", 5/8", 3/4" & 7/8" ceiling thickness
- Includes heavy-duty **L-Bars™** hanger bar system for residential installation

LABELS

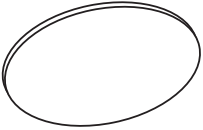
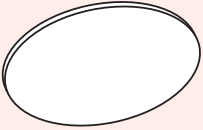
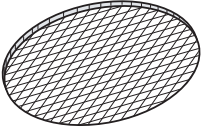
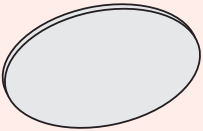
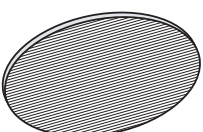
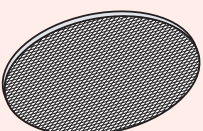
- Suitable for damp location, except when ordered with shower trim - Suitable for wet location
- **Air-Tight / IC Optional**

HOUSING ORDERING INFO



SERIES	LED MODULE WATTAGE AND INFORMATION	CRI / COLOR	BEAM	HOUSING TYPE	DRIVER	VOLTAGE	OPTIONS
HVS-1AA-T Mini Square Trimmed New Construction Housing	BRIDGELUX	8027 80CRI / 2700K Bridgelux / CREE	BRIDGELUX	FD	D1 Phase Dimming (120V only)	1 120V	IC Insulated Ceiling (Not Available in 28W)
	11L 11W LED / 825lm nom.	8030 80CRI / 3000K Bridgelux / CREE	N Narrow 20°	Fixed	D2 0-10V Dimming (120-277V only)	2 277V	
	16L 16W LED / 1100lm nom.	8035 80CRI / 3500K Bridgelux / CREE	M Medium 28°	AD	D3 Lutron Hi-lume™* Forward Phase (120V only)	U 120-277V*	EM Remotely Mounted Emergency LED Inverter
HVS-1BA-T Small Square Trimmed New Construction Housing	BRIDGELUX	8040 80CRI / 4000K Bridgelux / CREE	(Use lay-in film for wide distributions)	Adjustable*	D4 Lutron Hi-lume™* EcoSystem™ & 3 wire 1% (120-277V only)	* Not Available in 28C	
	9027 90CRI / 2700K Bridgelux Only	9030 90CRI / 3000K Bridgelux Only	CREE		D5 Lutron Hi-lume™* EcoSystem™		
	9027 90CRI / 2700K Bridgelux Only	9727 97CRI / 2700K Bridgelux Only	N Narrow 16°	* HVS-1BA-T Small housing only	DE Lutron Hi-lume™* EcoSystem™		
	9730 97CRI / 3000K Bridgelux Only	9527 95CRI / 2700K CREE Only	M Medium 28°				
	14C 14W LED / 1200lm nom.	9530 95CRI / 3000K CREE Only	(Use lay-in film for wide distributions)				
	20C 20W LED / 1600lm nom.*	9535 95CRI / 3500K CREE Only					
28C 28W LED / 2200lm nom.*	9540 95CRI / 4000K CREE Only						
Black finish is standard	*HVS-1BA-T Small housing only	9220 92CRI / 3000-2000K Warm Dimming ValuDIM™ Only	ValuDIM™		1% with Soft-On, Fade-to-Black™ 1% (120-277V only)		
	15V 15W LED / 810lm nom. 3000-2000K Warm Dimming		N Narrow 17°		* Not available in HVS-1AA-T mini housing		
			M Medium 25°				
			(Use lay-in film for wide distributions)				

Example: **HVS-1BA-T-14C-8027-N-FD-D2-U-IC**

OPTICAL ACCESSORY	DESCRIPTION	LIGHT SOURCE
		MINI / SMALL
		<ul style="list-style-type: none"> • MR16 • CMHMR16 • 50mm LED
	Clear Lens	OPTB-CLR Ø2.00" (51mm) nom.
	Clear Lens - LED Film	OPTB-L-CLR Ø2.00" (51mm) nom.
	UV Lens	OPTB-UVL Ø2.00" (51mm) nom.
	Hex Cell Louver	OPTB-HXL Ø2.00" (51mm) nom.
	Diffusion Lens	OPTB-DFL Ø2.00" (51mm) nom.
	Diffusion Lens - LED Film Diffusion Lens is included on all Luminaires installed with ValuDIM (15C9220) sources	OPTB-L-DFL Ø2.00" (51mm) nom.
	Linear Spread Lens	OPTB-LSL Ø2.00" (51mm) nom.
	Linear Spread Lens - LED Film	OPTB-L-LSL Ø2.00" (51mm) nom.
	Prismatic Spread Lens	OPTB-PSL Ø2.00" (51mm) nom.

* Other filters, colored glass, dichroics & micro-lenses available upon request