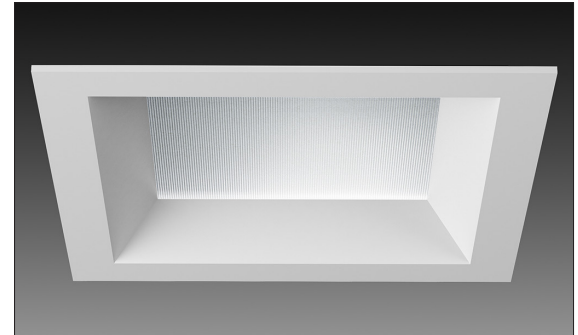
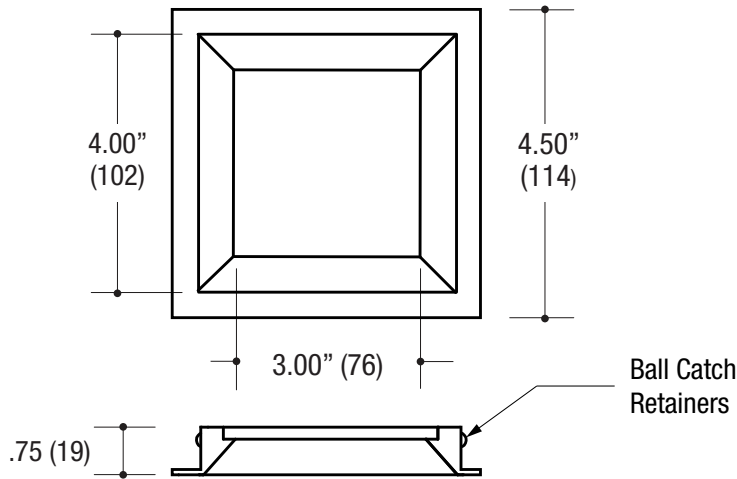


|         |      |                |
|---------|------|----------------|
| PROJECT | TYPE | CATALOG NUMBER |
|---------|------|----------------|

Measurements in ( ) are metric equivalents.

**8702 SQUARE BEVELED TRIMMED ACCENT** - The VF150 Series is a large aperture, high efficiency family of products that meet and exceed the needs of today's lighting designers and specifiers that are seeking performance. Formed of die-cast aluminum.



(Shown with lens)

## Specifications

### SQUARE BEVELED TRIMMED ACCENT

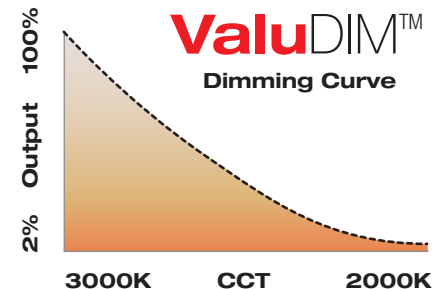
- Fixed or adjustable light output application
- 4.50" square die-cast aluminum
- 3.00" square large aperture
- .75" bevel regress
- .25" face trim
- Ball catch retainer for easy trim insertion and removal
- Safety cable included
- Powder coat finish

### TRIM ORDERING INFO

| TRIM SERIES   | TRIM FINISH  | LAY-IN LENS / FILM   |
|---|--|--|
| <b>8702</b>   | <b>MW</b> White<br><b>MB</b> Black<br><b>XX</b> Custom | <b>CL</b> Clear lay-in lens<br><b>DF</b> Diffused lay-in film<br><b>DL</b> Diffused lay-in lens<br><b>SHCL</b> Shower rated<br>Clear lay-in lens<br><b>SHDF</b> Shower rated<br>Diffused lay-in film<br><b>SHDL</b> Shower rated<br>Diffused lay-in lens |
| 4.50" Square Beveled Accent<br>Die-Cast Aluminum<br>Trimmed |  |  |

**8702**

Example: **8702-MB-SHCL**



**ValuDIM™**

LF Illumination's new **ValuDIM™** warm dimming allows the features of warm dimming technology to be installed in fixtures and price points once thought impossible. The small footprint LED COB design uses many of our standard subassembly components and is compatible with virtually all standard dimming protocols currently available.

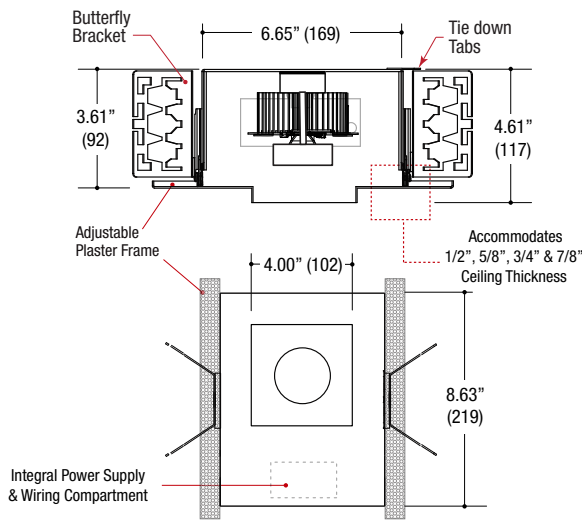
The LED itself maintains 95CRI typ (92CRI min) across the usable CCT range of 3000K to 2000K and dims down to around 2% visible light output. ValuDIM™ comes in three standard beam spread offerings of narrow, medium and wide.



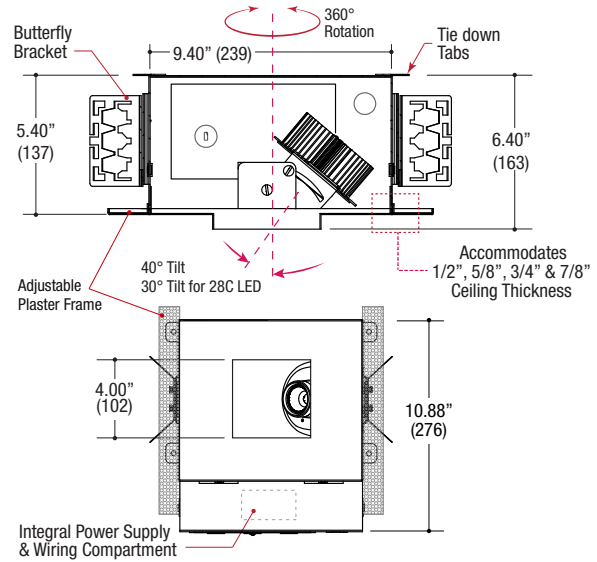
**5 YEAR WARRANTY**  
Limited

[www.lfillumination.com](http://www.lfillumination.com)  
rev: 083017

Measurements in ( ) are metric equivalents.



**(HVS-1AA-T)**  
**MINI SIZED HOUSING**  
**(FD)** Fixed Downlight Only



**(HVS-1BA-T)**  
**SMALL SIZED HOUSING**  
**(AD)** Adjustable Downlight  
**(FD)** Fixed Downlight (Also available)

## Specifications

### SQUARE TRIMMED HOUSING

- Housing of all steel construction
- Adjustable plaster frame
- Black powder coat finish
- **Ceiling Cut-out - 4.25" x 4.25"**

### ELECTRICAL

- Field-replaceable integral LED driver
- Electrical wiring compartment integrated into housing construction
- Internal thermal protection
- Easy maintenance access through ceiling opening
- Rated for through-branch wiring
- Dimmable

### MOUNTING

- Butterfly brackets for commercial installation in drywall and other mud in ceiling types
- Perforated plate adjusts for 1/2", 5/8", 3/4" & 7/8" ceiling thickness
- Includes heavy-duty **L-Bars™** hanger bar system for residential installation

### LABELS

- Suitable for damp location, except when ordered with shower trim - Suitable for wet location
- **Air-Tight / IC Optional**

### HOUSING ORDERING INFO

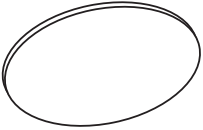
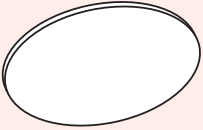
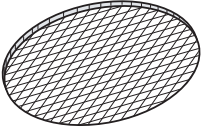
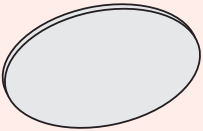
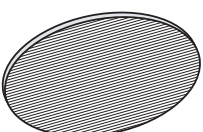
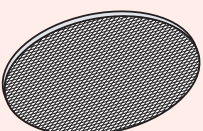
**5 YEAR WARRANTY**  
 Limited



**IC / Air-Tight**

| SERIES   | LED MODULE WATTAGE AND INFORMATION  | CRI / COLOR  | BEAM  | HOUSING TYPE                             | DRIVER  | VOLTAGE  | OPTIONS   |
|--|---|--|---|--|---|--|---|
| <b>HVS-1AA-T</b><br>Mini Square Trimmed<br>New Construction Housing  | <b>BRIDGELUX</b><br>11L 11W LED / 825lm nom.<br>16L 16W LED / 1100lm nom.   | <b>8027</b> 80CRI / 2700K Bridgelux / CREE<br><b>8030</b> 80CRI / 3000K Bridgelux / CREE<br><b>8035</b> 80CRI / 3500K Bridgelux / CREE<br><b>8040</b> 80CRI / 4000K Bridgelux / CREE<br><b>9027</b> 90CRI / 2700K Bridgelux Only<br><b>9030</b> 90CRI / 3000K Bridgelux Only<br><b>9727</b> 97CRI / 2700K Bridgelux Only<br><b>9730</b> 97CRI / 3000K Bridgelux Only | <b>BRIDGELUX</b><br><b>N</b> Narrow 20°<br><b>M</b> Medium 28°<br><b>W</b> Wide 40°<br><b>V</b> Very Wide 74° | <b>FD</b> Fixed<br><b>AD</b> Adjustable* | <b>D1</b> Phase Dimming (120V only)<br><b>D2</b> 0-10V Dimming (120-277V only)<br><b>D3</b> Lutron Hi-lume™™ Forward Phase (120V only)<br><b>D4</b> Lutron Hi-lume™™ EcoSystem™™ & 3 wire 1% (120-277V only)<br><b>DE</b> Lutron Hi-lume™™ EcoSystem™™ 1% with Soft-On, Fade-to-Black™™ 1% (120-277V only)<br>* Not available in HVS-1AA-T mini housing | <b>1</b> 120V<br><b>2</b> 277V<br><b>U</b> 120-277V* | <b>IC</b> Insulated Ceiling (Not Available in 28C)<br><b>EM</b> Remotely Mounted Emergency LED Inverter |
|  | <b>CREE</b><br>09C 09W LED / 900lm nom.<br>14C 14W LED / 1200lm nom.<br>20C 20W LED / 1600lm nom.*<br>28C 28W LED / 2200lm nom.*<br>*HVS-1BA-T Small housing only | <b>9527</b> 95CRI / 2700K CREE Only<br><b>9530</b> 95CRI / 3000K CREE Only<br><b>9535</b> 95CRI / 3500K CREE Only<br><b>9540</b> 95CRI / 4000K CREE Only   | <b>CREE</b><br><b>N</b> Narrow 16°<br><b>M</b> Medium 28°<br><b>W</b> Wide 42°<br><b>V</b> Very Wide 73°      | * HVS-1BA-T Small housing only           |   |  |   |
| <b>HVS-1BA-T</b><br>Small Square Trimmed<br>New Construction Housing | <b>ValuDIM™</b><br>15V 15W LED / 810lm nom.<br>3000-2000K<br>Warm Dimming   | <b>9220</b> 92CRI / 3000-2000K<br>Warm Dimming ValuDIM Only  | <b>ValuDIM™</b><br><b>N</b> Narrow 17°<br><b>M</b> Medium 25°<br><b>W</b> Wide 38°                            |  |   |  |   |

Example: **HVS-1BA-T-14C-8027-N-FD-D2-U-IC**

| OPTICAL ACCESSORY   | DESCRIPTION  | LIGHT SOURCE  |
|---|--|---|
|   |  | MINI / SMALL  |
|   |  | <ul style="list-style-type: none"> <li>• MR16</li> <li>• CMHMR16</li> <li>• 50mm LED</li> </ul> |
|    | Clear Lens   | OPTB-CLR<br>Ø2.00" (51mm) nom.  |
|   | Clear Lens - LED Film  | OPTB-L-CLR<br>Ø2.00" (51mm) nom.  |
|    | UV Lens  | OPTB-UVL<br>Ø2.00" (51mm) nom.  |
|   | Hex Cell Louver  | OPTB-HXL<br>Ø2.00" (51mm) nom.  |
|  | Diffusion Lens   | OPTB-DFL<br>Ø2.00" (51mm) nom.  |
|   | Diffusion Lens - LED Film<br>Diffusion Lens is included on all Luminaires installed with ValuDIM (15C9220) sources | OPTB-L-DFL<br>Ø2.00" (51mm) nom.  |
|  | Linear Spread Lens   | OPTB-LSL<br>Ø2.00" (51mm) nom.  |
|   | Linear Spread Lens - LED Film  | OPTB-L-LSL<br>Ø2.00" (51mm) nom.  |
|  | Prismatic Spread Lens  | OPTB-PSL<br>Ø2.00" (51mm) nom.  |

\* Other filters, colored glass, dichroics & micro-lenses available upon request