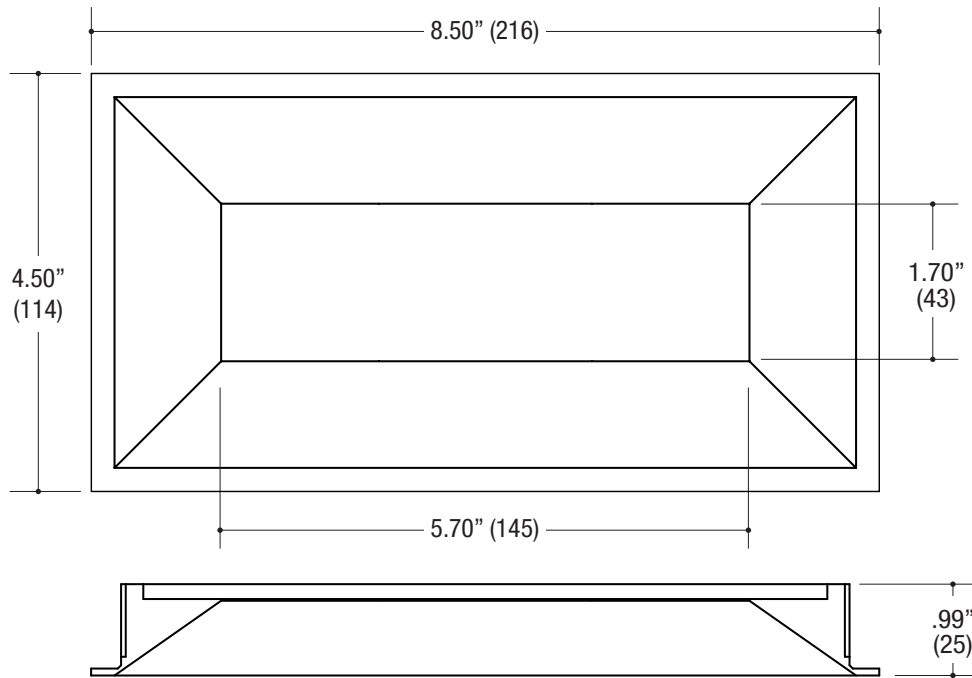


PROJECT	TYPE	CATALOG NUMBER
---------	------	----------------

Measurements in ( ) are metric equivalents.

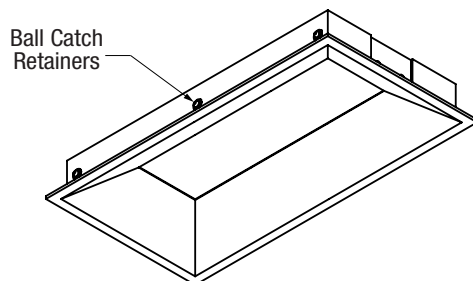
**8604** **RECTANGULAR BEVELED TRIMMED ACCENT** - The VF150 Series is a family of products that meet and exceed the needs of today's lighting designers and specifiers that are seeking performance. Formed of die-cast aluminum.



### ORDERING INFO

TRIM SERIES	TRIM FINISH	OPTIONS
<b>8604</b> <b>4.50" X 8.50" RECTANGULAR</b> Small Aperture Die-Cast Beveled Accent Trimmed	<b>MB</b> Black <b>MW</b> White <b>XX</b> Custom	<b>CL</b> Clear lay-in lens <b>DL</b> Diffusion lay-in lens <b>SHCL</b> Shower rated Clear lay-in lens <b>SHDL</b> Shower rated Diffusion lay-in lens

Example: **8604-MW-CL**



## Specifications

### RECTANGULAR TRIMMED DOWNLIGHT

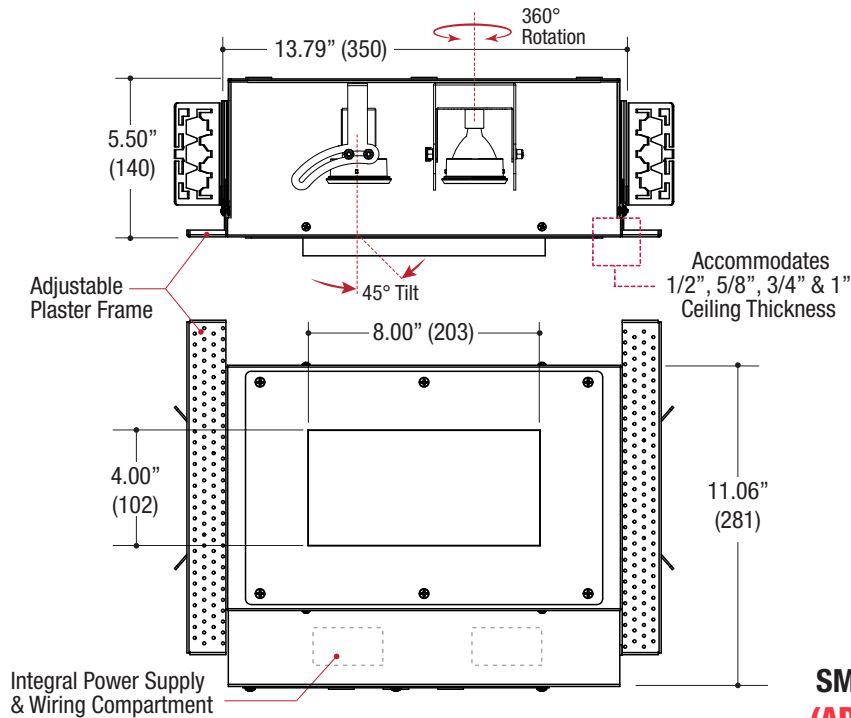
- Adjustable light output application
- 4.50" x 8.50" beveled die-cast aluminum Accent
- Small 1.70" x 5.70" rectangular aperture
- .25" face trim
- Accepts up to 2 or more optical accessories
- Ball catch retainer for easy trim insertion and removal with safety cable included
- Powder coat finish

### LAMP SOURCE *(lamp not included)*

- 12V MR16 20W max - Derate Labels Available
- CMHMR16 in 20W
- LED Retrofit 15W max - Works with SORAA®



Measurements in ( ) are metric equivalents.



**(HVS-2BA-T)**  
**SMALL SIZED HOUSING**  
**(AD)** Adjustable Downlight  
**(FD)** Fixed Downlight (Also available)

## Specifications

### RECTANGULAR TRIMMED HOUSING

- Housing of all steel construction
- Adjustable plaster frame
- Black powder coat finish
- **Ceiling Cut-out - 4.13" x 8.13"**

### ELECTRICAL

- Field-replaceable integral LED driver
- Electrical wiring compartment integrated into housing construction
- Internal thermal protection
- Easy maintenance access through ceiling opening
- Rated for through-branch wiring
- Dimmable

### MOUNTING

- Butterfly brackets for commercial installation in drywall, wood, stone, acoustic tile, or other ceiling types
- Perforated plate adjusts for 1/2", 5/8", 3/4" & 1" ceiling thickness
- Includes Heavy-Duty **L-Bars™** hanger bar system for residential installation

### LABELS

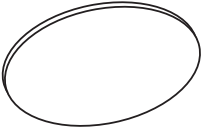
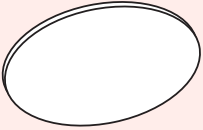
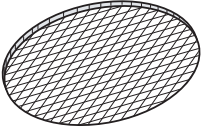
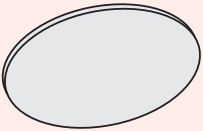
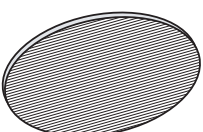
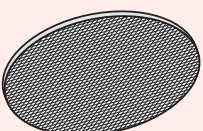
- Suitable for damp location, except when ordered with shower trim - Suitable for wet location
- **Air-Tight / IC Optional**



### HOUSING ORDERING INFO

SERIES	WATTAGE / LAMP	HOUSING TYPE	POWER SUPPLY	VOLTAGE	OPTIONS
<b>HVS-2BA-T</b>	<b>020MR16X</b> MR16 20W	<b>FD</b> Fixed <b>AD</b> Adjustable	<b>ET</b> Electronic Transformer <b>MT</b> Magnetic Transformer <b>TT</b> Q-Tran Toroidal Transformer	<b>1</b> 120V <b>2</b> 277V	<b>IC</b> Insulated Ceiling  20W max. MR16 only
<b>VF150 SERIES</b> Rectangular Trimmed New Construction Housing  Black finish standard	<b>015MR16X</b> MR16 15W LED Retrofit  <b>020CM16X</b> 20W CMHMR16		<b>EB</b> Electronic Metal Halide Ballast		

Ordering Example: **HVS-2BA-T-020MR16X-FD-ET-1-IC**

OPTICAL ACCESSORY	DESCRIPTION	LIGHT SOURCE
		SMALL
	Clear Lens	OPTB-CLR Ø2.00" (51mm) nom.
	Clear Lens - LED Film	OPTB-L-CLR Ø2.00" (51mm) nom.
	UV Lens	OPTB-UVL Ø2.00" (51mm) nom.
	Hex Cell Louver	OPTB-HXL Ø2.00" (51mm) nom.
	Diffusion Lens	OPTB-DFL Ø2.00" (51mm) nom.
	Diffusion Lens - LED Film	OPTB-L-DFL Ø2.00" (51mm) nom.
	Linear Spread Lens	OPTB-LSL Ø2.00" (51mm) nom.
	Linear Spread Lens - LED Film	OPTB-L-LSL Ø2.00" (51mm) nom.
	Prismatic Spread Lens	OPTB-PSL Ø2.00" (51mm) nom.

\* Other filters, colored glass, dichroics & micro-lenses available upon request