

TRIMMED **LED**

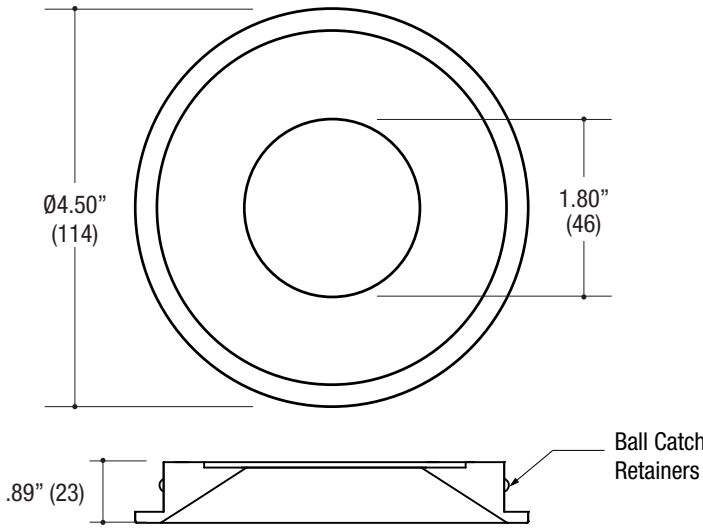
PROJECT

TYPE

CATALOG NUMBER

8601 **SMALL APERTURE ROUND BEVEL ACCENT** - The VF150 Series family of products meet and exceed the needs of today's lighting designers and specifiers that are seeking performance. Formed of die-cast aluminum.

Measurements in () are metric equivalents.



Specifications

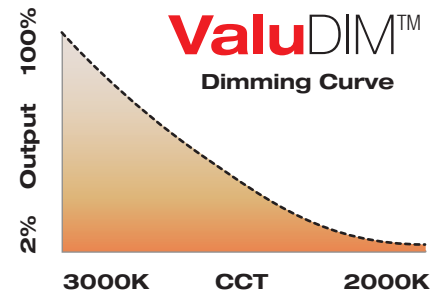
ROUND TRIMMED DOWNLIGHT

- Fixed or adjustable light output application
- 4.50" round beveled die-cast aluminum trim
- Small 1.80" round aperture
- .25" face trim
- Accepts up to 2 or more optical accessories
- Ball catch retainer for easy trim insertion and removal with safety cable included
- Powder coat finish

TRIM ORDERING INFO

| TRIM SERIES | TRIM FINISH | LAY-IN LENS / FILM |
|---|--|--|
| 8601 | MW White MB Black XX Custom | CL Clear Lens DL Diffused Lens DF Diffused Film WF Wide Distribution Film SHCL Shower Rated Clear Lens SHDL Shower Rated Diffused Lens SHDF Shower Rated Diffused Film SHWF Shower Rated Wide Distribution Film |
| 4.50" Round Beveled Accent Die-Cast Aluminum Trimmed | | |
| 8601 | | |

Example: **8601-MB-SHCL**



ValuDIM™

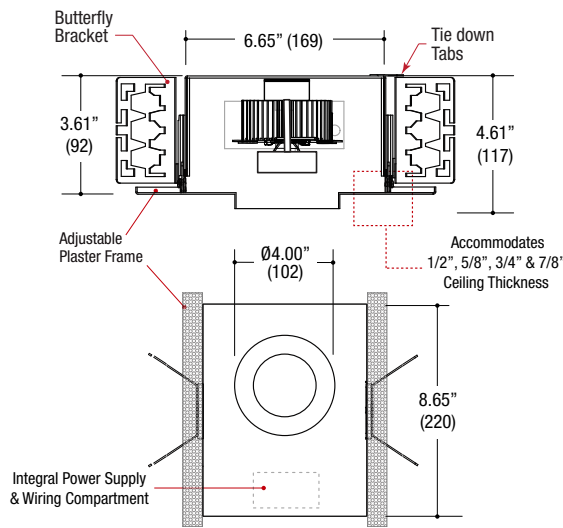
LF Illumination's new **ValuDIM™** warm dimming allows the features of warm dimming technology to be installed in fixtures and price points once thought impossible. The small footprint LED COB design uses many of our standard subassembly components and is compatible with virtually all standard dimming protocols currently available.

The LED itself maintains 95CRI typ (92CRI min) across the usable CCT range of 3000K to 2000K and dims down to around 2% visible light output. ValuDIM™ comes in three standard beam spread offerings of narrow, medium and wide.

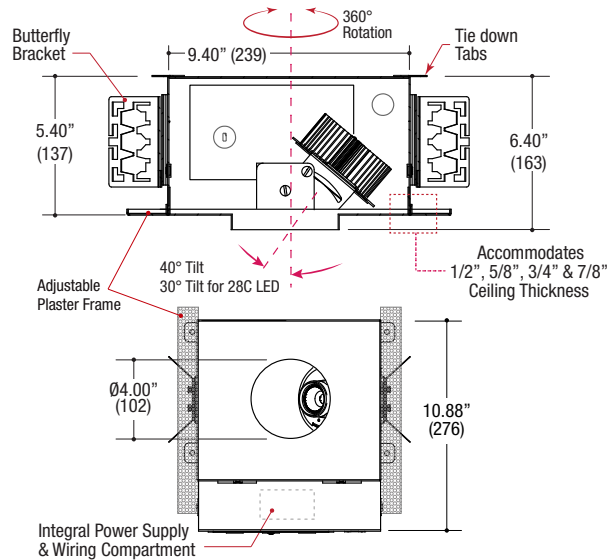


5 YEAR WARRANTY
Limited

Measurements in () are metric equivalents.



(HVR-1AA-T)
MINI SIZED HOUSING
(FD) Fixed Downlight Only



(HVR-1BA-T)
SMALL SIZED HOUSING
(AD) Adjustable Downlight
(FD) Fixed Downlight (Also available)

Specifications

ROUND TRIMMED HOUSING

- Housing of all steel construction
- Adjustable plaster frame
- Black powder coat finish
- **Ceiling Cut-out - Ø4.18"**

ELECTRICAL

- Field-replaceable integral LED driver
- Electrical wiring compartment integrated into housing construction
- Internal thermal protection
- Easy maintenance access through ceiling opening
- Rated for through-branch wiring
- Dimmable

MOUNTING

- Butterfly brackets for commercial installation in drywall, wood, stone, acoustic tile, or other ceiling types
- Perforated plate adjusts for 1/2", 5/8", 3/4" & 7/8" ceiling thickness
- Includes heavy-duty **L-Bars™** hanger bar system for residential installation

LABELS

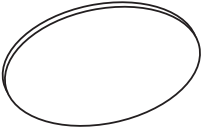
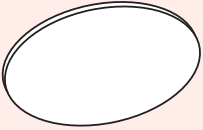
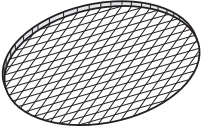
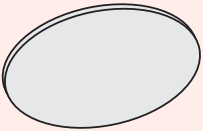
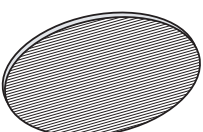
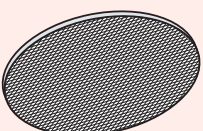
- Suitable for damp location, except when ordered with shower trim - Suitable for wet location
- **Air-Tight / IC Optional**

HOUSING ORDERING INFO



| SERIES | LED MODULE WATTAGE AND INFORMATION | CRI / COLOR | BEAM | HOUSING TYPE | DRIVER | VOLTAGE | OPTIONS | | | |
|---|---|--|--|--|--|--|---|---|--------------------------------|------------------------|
| HVR-1AA-T Mini Round Trimmed New Construction Housing | BRIDGELUX 11L 11W LED / 825lm nom. 16L 16W LED / 1100lm nom. | 8027 80CRI / 2700K Bridgelux / CREE 8030 80CRI / 3000K Bridgelux / CREE 8035 80CRI / 3500K Bridgelux / CREE 8040 80CRI / 4000K Bridgelux / CREE 9027 90CRI / 2700K Bridgelux Only 9030 90CRI / 3000K Bridgelux Only | BRIDGELUX N Narrow 20° M Medium 28° (Use lay-in film for wide distributions) | FD Fixed AD Adjustable* | D1 Phase Dimming (120V only) D2 0-10V Dimming (120-277V only) D3 Lutron Hi-lume™™™ Forward Phase (120V only) D4 Lutron Hi-lume™™™ EcoSystem™™™ & 3 wire 1% (120-277V only) DE Lutron Hi-lume™™™ EcoSystem™™™ 1% with Soft-On, Fade-to-Black™™™ 1% (120-277V only) | 1 120V 2 277V U 120-277V* | IC Insulated Ceiling (Not Available in 28C) EM Remotely Mounted Emergency LED Inverter | | | |
| | | 9727 97CRI / 2700K Bridgelux Only 9730 97CRI / 3000K Bridgelux Only 9527 95CRI / 2700K CREE Only 9530 95CRI / 3000K CREE Only 9535 95CRI / 3500K CREE Only 9540 95CRI / 4000K CREE Only | | | | | | CREE N Narrow 16° M Medium 28° (Use lay-in film for wide distributions) | * HVR-1BA-T Small housing only | * Not Available in 28C |
| | | ValuDIM™™™ 15V 15W LED / 810lm nom. 3000-2000K Warm Dimming | | | | | | | | |
| Black finish is standard | | | | | | | | | | |

Example: **HVR-1BA-T-14C-8027-N-FD-D1-1-IC**

| OPTICAL ACCESSORY | DESCRIPTION | LIGHT SOURCE |
|---|--|---|
| | | MINI / SMALL |
| | | <ul style="list-style-type: none"> • MR16 • CMHMR16 • 50mm LED |
|  | Clear Lens | OPTB-CLR Ø2.00" (51mm) nom. |
| | Clear Lens - LED Film | OPTB-L-CLR Ø2.00" (51mm) nom. |
|  | UV Lens | OPTB-UVL Ø2.00" (51mm) nom. |
|  | Hex Cell Louver | OPTB-HXL Ø2.00" (51mm) nom. |
|  | Diffusion Lens | OPTB-DFL Ø2.00" (51mm) nom. |
| | Diffusion Lens - LED Film Diffusion Lens is included on all Luminaires installed with ValuDIM (15C9220) sources | OPTB-L-DFL Ø2.00" (51mm) nom. |
|  | Linear Spread Lens | OPTB-LSL Ø2.00" (51mm) nom. |
| | Linear Spread Lens - LED Film | OPTB-L-LSL Ø2.00" (51mm) nom. |
|  | Prismatic Spread Lens | OPTB-PSL Ø2.00" (51mm) nom. |

* Other filters, colored glass, dichroics & micro-lenses available upon request