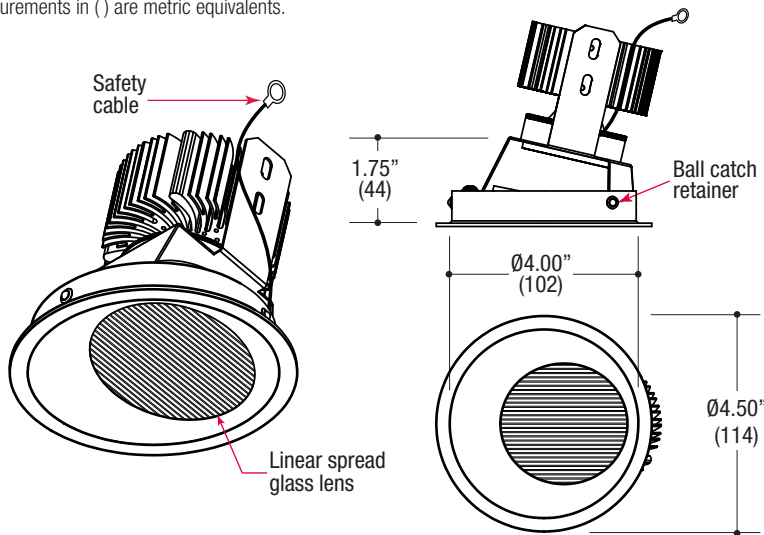


PROJECT	TYPE	CATALOG NUMBER
---------	------	----------------

8431 ROUND FIXED WALLWASH ACCENT - The VF100 Series of recessed downlight and housing configurations represent the pinnacle of innovation and design of small aperture products for the architectural industry. These fixtures meet and exceed the needs of today's lighting designers and specifiers for small recessed fixtures that perform.

Measurements in () are metric equivalents.



Specifications

ROUND WALLWASH

- Recessed fixed wallwash
- 4.50" round die-cast aluminum trim
- .25" face trim
- Linear spread lens
- 1.75" regress for greater cut-off
- Ball catch retainer for easy trim insertion and removal with safety cable included
- Powder coat finish

TRIM ORDERING INFO

TRIM SERIES	LED MODULE INFORMATION	CRI / COLOR	BEAM	TRIM FINISH	OPTIONS
8431 New Construction Housing	BRIDGELUX 11L 11W LED / 825lm nom. 16L 16W LED / 1100lm nom.	8027 80CRI / 2700K Bridgelux / CREE 8030 80CRI / 3000K Bridgelux / CREE 8035 80CRI / 3500K Bridgelux / CREE 8040 80CRI / 4000K Bridgelux / CREE 9027 90CRI / 2700K Bridgelux Only 9030 90CRI / 3000K Bridgelux Only 9727 97CRI / 2700K Bridgelux Only	BRIDGELUX W Wide	MB Black MW White XX Custom	SH Shower rated
8431RM Remodel Housing		9730 97CRI / 3000K Bridgelux Only 9737 97CRI / 2700K Bridgelux Only			
4.50" ROUND Fixed Wallwash Die-Cast Aluminum Linear Spread Lens	CREE 09C 09W LED / 900lm nom. 14C 14W LED / 1200lm nom. 20C 20W LED / 1600lm nom.	9730 97CRI / 3000K Bridgelux Only 9527 95CRI / 2700K CREE Only 9530 95CRI / 3000K CREE Only 9535 95CRI / 3500K CREE Only 9540 95CRI / 4000K CREE Only	CREE W Wide		
	ValuDIM™ 15V 15W LED / 810lm nom. 3000-2000K Warm Dimming	9220 92CRI / 3000-2000K Warm Dimming ValuDIM Only	ValuDIM™ W Wide		

Example: **8431-14C-8030-N-MB-SH**



ValuDIM™

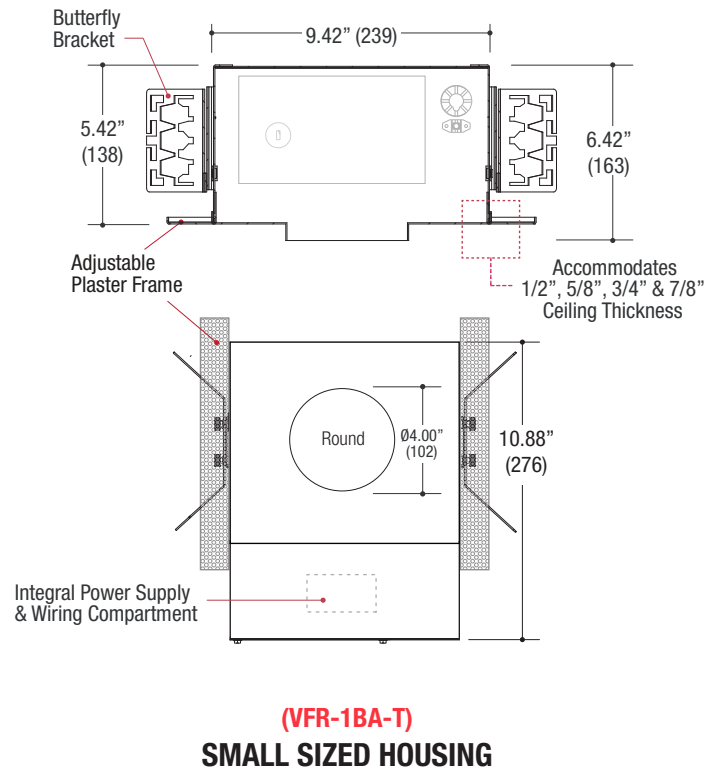
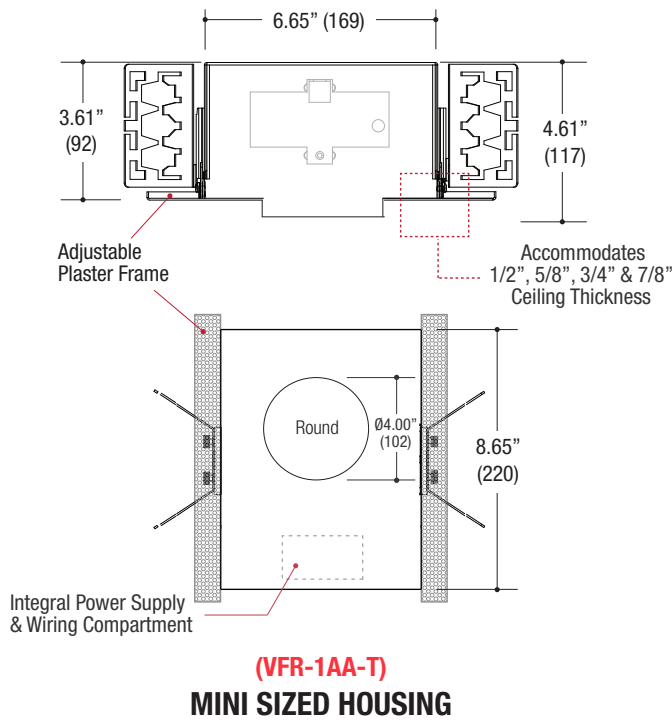
LF Illumination's new **ValuDIM™** warm dimming allows the features of warm dimming technology to be installed in fixtures and price points once thought impossible. The small footprint LED COB design uses many of our standard subassembly components and is compatible with virtually all standard dimming protocols currently available.

The LED itself maintains 95CRI typ (92CRI min) across the usable CCT range of 3000K to 2000K and dims down to around 2% visible light output.



5 YEAR WARRANTY
Limited

Measurements in () are metric equivalents.



Specifications

ROUND TRIMMED HOUSING

- Housing of all steel construction
- Adjustable plaster frame
- Black powder coat finish
- **Ceiling Cut-out - Ø4.18"**

ELECTRICAL

- Field-replaceable integral LED driver
- Electrical wiring compartment integrated into housing construction
- Internal thermal protection
- Easy maintenance access through ceiling opening
- Rated for through-branch wiring
- Optional dimming

MOUNTING

- Butterfly brackets for commercial installation in drywall, wood, stone, acoustic tile, or other ceiling types
- Perforated plate adjusts for 1/2", 5/8", 3/4" & 7/8" ceiling thickness
- Includes heavy-duty **L-Bars™** hanger bar system for residential installation

LABELS

- Suitable for damp location, except when ordered with shower trim - Suitable for wet location
- **Air-Tight / IC Optional**

HOUSING ORDERING INFO

5 YEAR WARRANTY
Limited

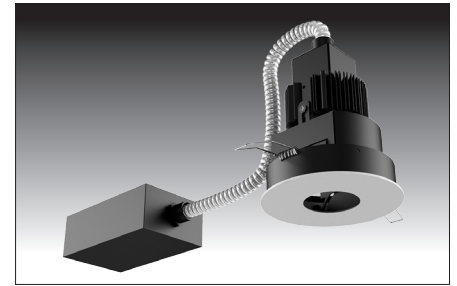
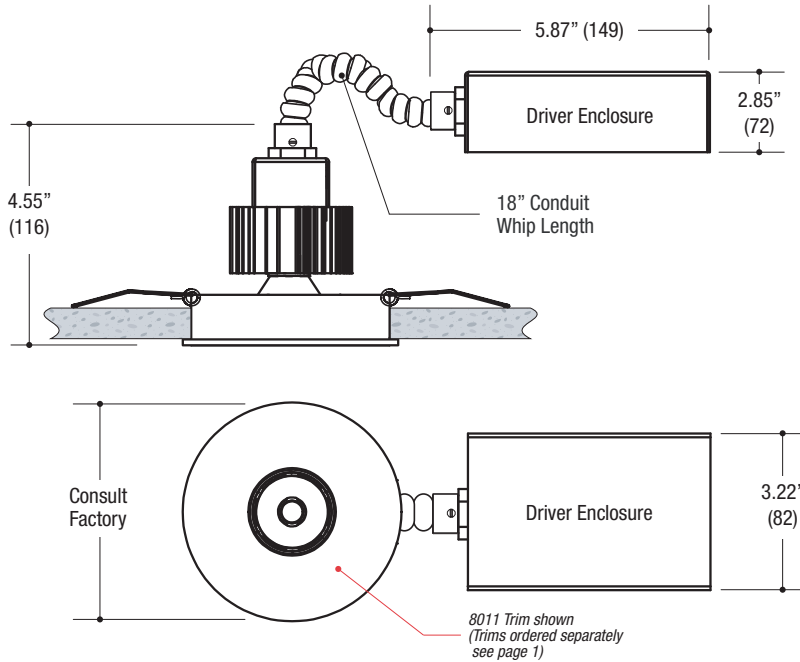


IC / Air-Tight

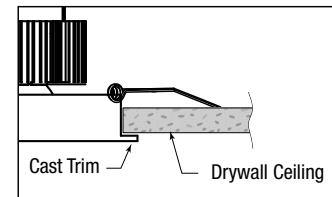
SERIES	BRIDGELUX	CREE	ValuDIM™	DRIVER	VOLTAGE	OPTIONS
VFR-1AA-T Mini Round Trimmed New Construction Housing	11L 11W LED	09C 09W LED	15V 15W LED	D1 Phase Dimming (120V only)	1 120V	IC Insulated Ceiling
	16L 16W LED	14C 14W LED				
VFR-1BA-T Small Round Trimmed New Construction Housing		20C 20W LED		D3 Lutron Hi-lume™* Forward Phase 2 wire 1% (120V only)		
					D4 Lutron Hi-lume™* EcoSystem™ & 3 wire (1%) (120-277V only)	
				DE Lutron Hi-lume™ EcoSystem™* 1% w/Soft-On, Fade-to-Black™ (120-277V only)		
Black finish is standard				* VFR-1BA-T small housing only		
	or		or			

Ordering Example: **VFR-1BA-T-14C-D1-1-IC**

Measurements in () are metric equivalents.



Trim Detail



Specifications

ROUND TRIMMED REMODEL HOUSING

- Trim collar and component housing of all steel construction
- Black powder coat finish
- **Ceiling Cut-out - Ø4.13"**

LED SOURCE

- Field-replaceable integral LED module
- Field replaceable optics
- BRIDGELUX
 - 11W / 825lm (@ 80CRI min / 3000K)
 - 16W / 1100lm (@ 80CRI min / 3000K)
- CREE
 - 09W / 900lm (@ 80CRI min / 3000K)
 - 14W / 1200lm (@ 80CRI min / 3000K)
- ValuDIM™
 - 15W LED / 810lm 3000-2000K Warm Dimming

ELECTRICAL

- Field-replaceable integral LED driver
- Electrical wiring compartment integrated into housing construction
- Internal thermal protection
- Easy maintenance access through ceiling opening
- Rated for through-branch wiring
- Optional dimming

MOUNTING

- Trim collar is secured using torsion spring clips
- Adjustable trim collar accommodates 1/2" to 1" ceiling thickness

LABELS

- Suitable for damp location, except when ordered with shower trim - Suitable for wet location

REMODEL HOUSING

ORDERING INFO

SERIES	BRIDGELUX	CREE	ValuDIM™	DRIVER	VOLTAGE	OPTIONS
VFR-1AR-T	11L 11W LED 16L 16W LED	09C 09W LED 14C 14W LED	15V 15W LED	D1 Phase Dim. (120V only) D2 0-10V Dim. Driver (120-277V only)	1 120V U 120-277V	EM Remotely Mounted Emergency LED Inverter
VF100 SERIES 4.50" Round Trimmed Remodel Housing Black finish standard						
	or		or			

Ordering Example: **VFR-1AR-T-14C-D1-1-EM**

©2017 LF ILLUMINATION LLC

We reserve the right to change or withdraw specifications without prior notice.

HEADQUARTERS
9200 Deering Avenue
Chatsworth CA 91311

Telephone: 818-885-1335
Toll Free: 855-885-1335
Fax: 818-576-1335

www.lfillumination.com

PAGE 3
rev: 010917



5 YEAR WARRANTY
Limited