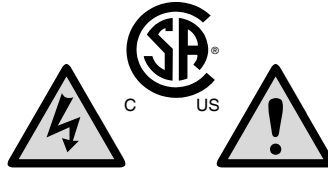


INSTALLATION INSTRUCTIONS

Warnings:

- * Risk of fire or electric shock.
- * **Disconnect all power before installing or servicing.**
- * Installation Instructions for qualified electricians only.
- * Install per National Electrical Code and local regulations.
- * Read Installation Instructions completely before installation.
- * Failure to follow Installation Instructions may void warranties.



THIS PRODUCT MUST BE INSTALLED IN ACCORDANCE WITH THE APPLICABLE INSTALLATION CODE BY A PERSON FAMILIAR WITH THE CONSTRUCTION AND OPERATION OF THE PRODUCT AND THE HAZARDS INVOLVED.

Pre-Installation Note: The trim insert and housing are packaged and shipped in separate cartons. Set the trim unit aside in a clean and undamaging environment. The trim unit will be put in place after housing / ceiling installation. For joist installations or where wiring access to housing is limited, it is advised to pre-wire the housing with leads before installation.

Butterfly Mounting (Commercial):

Step 1. Fixture comes equipped with Universal BUTTERFLY MOUNTING BRACKETS and take common 1" or 1-1/2" Black Iron or Galvanized MOUNTING CHANNELS (*Supplied By Others*).

Step 2. POSITION FIXTURE so the MOUNTING CHANNELS lie on top of ceiling runners.

Step 3. Fasten MOUNTING CHANNELS securely to the ceiling runners with wire tie downs.

Step 4. Secure MOUNTING CHANNELS to the UNIVERSAL BUTTERFLY MOUNTING BRACKETS with wire tie downs.

Step 5. ADJUST ELEVATION OF FIXTURE so that the surface of the PERFORATED HOUSING PLATE SITS FLUSH with the top of the finished ceiling surface AND THE TRIM COLLAR EXTENDS FLUSH WITH THE FINISHED CEILING AND MUD PLATE.

Step 6. The perforated housing plate is adjustable from 1/2" to 1" ceiling thickness. Fine adjustments can be made by loosening the two (2) 1/4" HEX SCREWS on both UNIVERSAL BUTTERFLY MOUNTING BRACKETS and set collar depth accordingly **Fig 1 / Fig 5 Detail**.

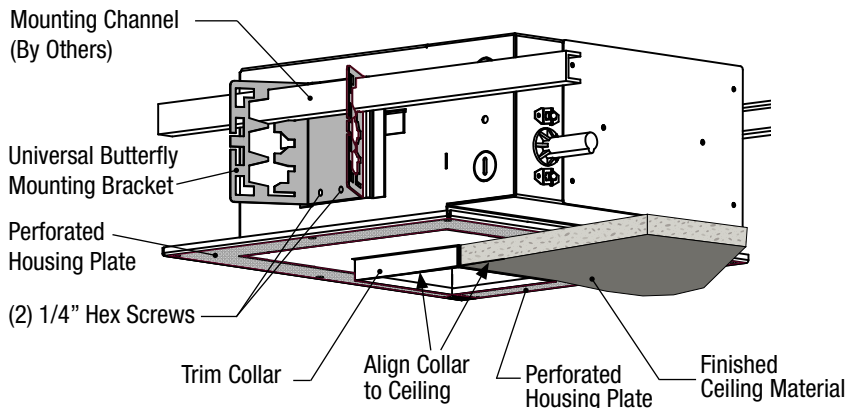


FIGURE 1

Joist Installation:

HANGER BARS required for installation. (Supplied)

Step 1. Extend HANGER BARS to fit between joist and attach to joist or frame member using appropriate hardware for material. **See Fig 2, Detail 2A.**

Step 2. ADJUST ELEVATION OF FIXTURE so that the surface of the PERFORATED HOUSING PLATE SITS FLUSH with the top of the finished ceiling surface AND THE TRIM COLLAR EXTENDS FLUSH WITH THE FINISHED CEILING AND MUD PLATE.

See Fig 1. Step 6.

Step 3. Position housing horizontally by sliding on hanger bars. Secure housing in position using wire tie downs.

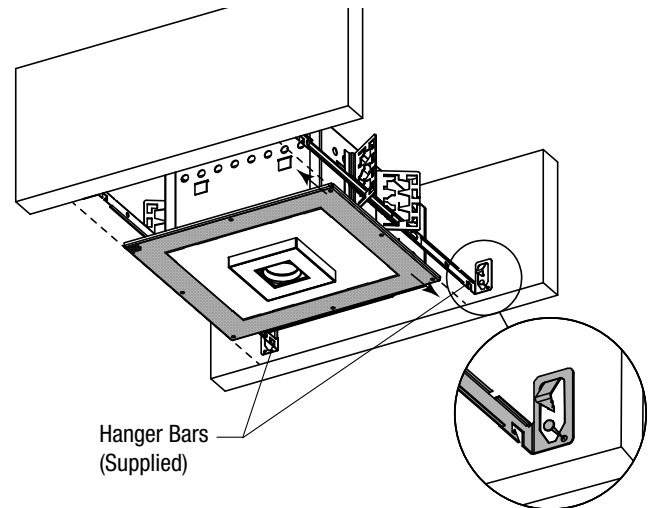


FIGURE 2

ELECTRICAL CONNECTION:

The housing features an easy access junction box for simplified field wiring installation.

DO NOT modify the factory wiring settings as it may cause the luminaire to malfunction and void warranty.

Notes: The junction box will accept 3/4" trade size fittings. Review fixture labeling to make sure it is rated for the voltage installation being used. **Make sure no bare wires are exposed outside wire connectors.**

Step 1. Provide electrical service according to the "National Electrical Code" or your local electrical regulations from a suitable junction box. Supply wire insulation must be rated for at least 90°C.

Step 2. Remove junction box cover **Fig 3**.

Step 3. Remove appropriate round knockout and connect conduit to junction box with proper connector (*not included*).

Step 4.

Non-Dimmable or Phase Dimmable:

120V or 277V AC Supply: Connect white to white, black to black and green (*from electrical service*) to the green copper wire located in the junction box.

0-10V Dimmable:

Connect PURPLE wire to D+ and GREY wire to D-. If not dimmed, these wires should be capped. For other dimming please contact factory.

Step 5. Place all connections and excess wiring into the junction box and replace cover **Fig 3**.

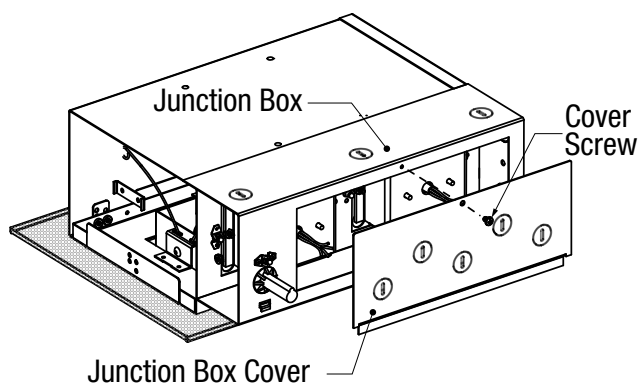


FIGURE 3

TRIMLESS INSTALLATION ASSEMBLY

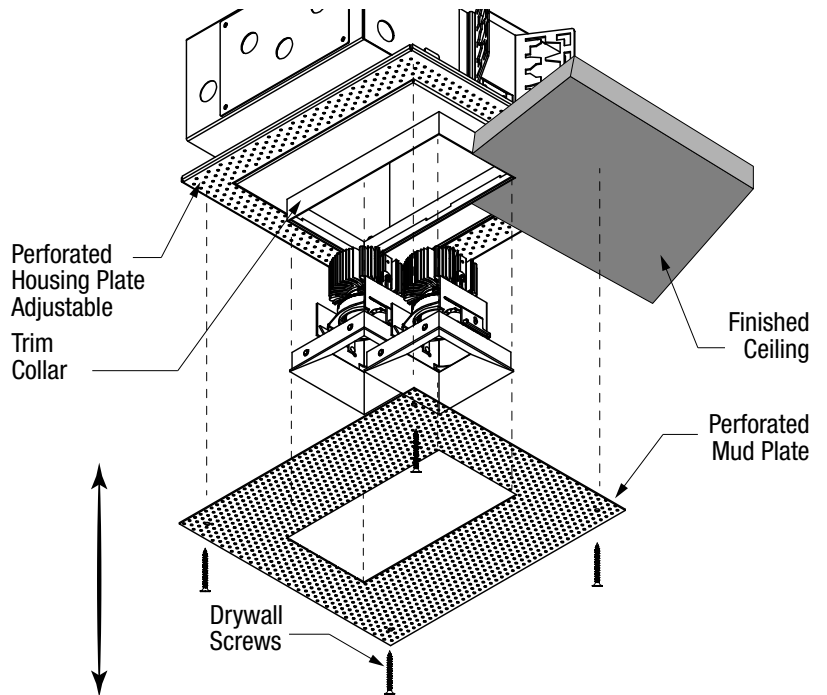


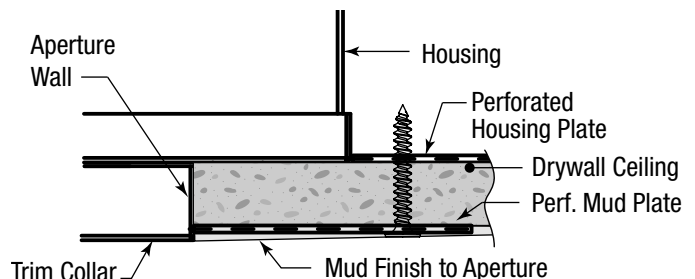
FIGURE 4

CEILING INSTALLATION:

Step 1. CUT A CLEAN SQUARE OPENING in the CEILING MATERIAL to fit the trim collar. Install the ceiling material below housing as shown in **Fig 1. Ceiling Cut-Out - 4.13" x 8.13"**

Step 2. PLACE the PERFORATED MUD PLATE around collar opening, capturing ceiling between the perforated housing plate and perforated mud plate. Secure using drywall screws (4) places as shown in **Fig 4**.

Step 3. SPREAD MUDDING COMPOUND from trim collar opening and mud plate onto the finished ceiling. Feather back at least 12" on to the finished ceiling. See detail **Fig 5**.



TRIMLESS DETAIL
FIGURE 5