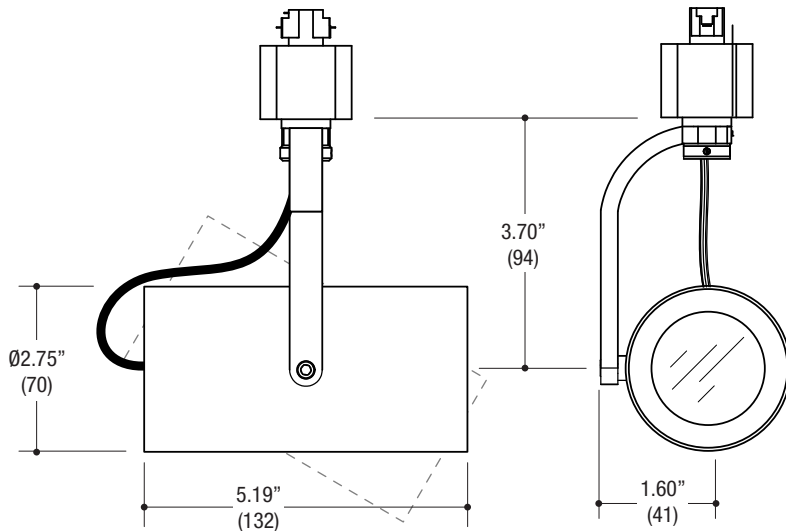


PROJECT	TYPE	CATALOG NUMBER
---------	------	----------------



TRACKHEAD

- 2.75" diameter cylinder shaped trackhead
- 120° x 120° vertical tilting / 360° horizontal rotation
- Locking tilt and rotation
- Spun aluminum housing
- LED optical grade reflector
- Powder coat finish

LED SOURCE

CREE

- 17W / 1280lm, 80CRI min / 4000K

PHILIPS - CRISP WHITE

- 17W / 880lm, 90CRI / 3000K
- Field replaceable optics available, allows for 15°, 24°, 35° and 51° distribution
- Will accept 1 additional media accessory
- Thru ventilation passively cooled thermal management

ELECTRICAL

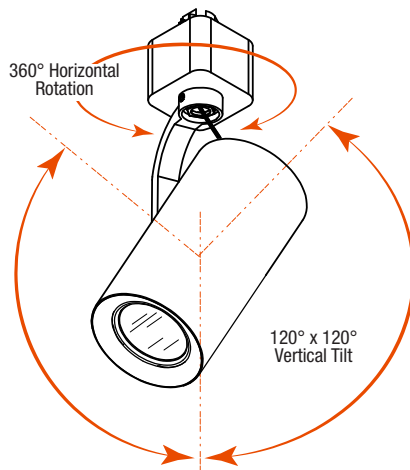
- Fully integrated ELV phase dimmable LED driver
- Phase dimmable power supply
- 1 or 2 circuit track compatible

MOUNTING

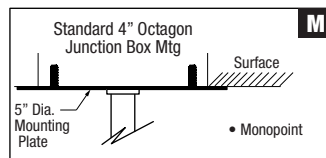
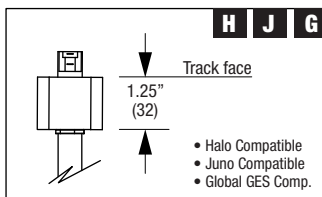
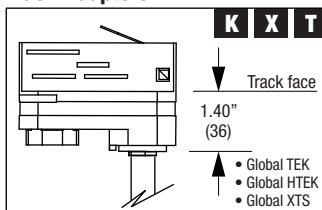
- Compatible with Halo®, Juno®, Global® GES track or Global® TEK track

LABELS

- Suitable for dry location



Track Adapters



Halo® is a registered trademark of Cooper Industries, Juno® is a registered trademark of Juno Lighting, Global® is a registered trademark of Nordic Aluminum.

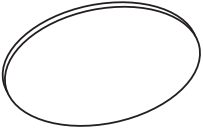
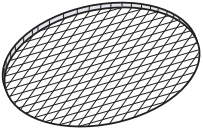
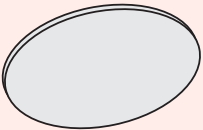
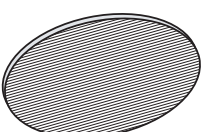
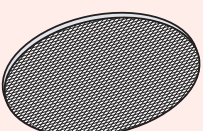
5 YEAR WARRANTY



ORDERING INFO

SERIES	ADAPTER	WATTAGE	CRI / COLOR	BEAM	POWER SUPPLY	VOLTAGE	FINISH
TRA13B TURRET Trackhead Die-Cast Aluminum Adjustable Aim	H Halo® compatible	17C 17W LED 1280 lm nom.	8027 80CRI / 2700K	N Narrow 15° M Medium 24° W Wide 35° V Very wide 51°	LD LED Driver D1 Reverse Phase ELV Dimming (120V only) D2 0-10V Dim Driver (Monopoint Only)	1 120V 2 277V (HTEK only) U 120-277V (Monopoint only)	BB Black WW White SS Silver
	J Juno® compatible		8030 80CRI / 3000K				
	G Global® GES compatible		8035 80CRI / 3500K				
	T Global® TEK compatible		8040 80CRI / 4000K				
	K Global® HTEK compatible		9527 95CRI / 2700K				
	X Global® XTS compatible		9530 95CRI / 3000K				
	M Monopoint	17W 17W LED 880lm nom. Crisp White	9030 90CRI / 3000K				

Ordering Example: **TRA13B-H-17C-8030-N-D1-1-BB**

OPTICAL ACCESSORY	DESCRIPTION	LIGHT SOURCE
		SMALL
		• 50mm LED
	Clear Lens	OPT-TRTRPB-CLR Ø2.31" (57mm) nom.
	Hex Cell Louver	OPT-TRTRPB-HXL Ø2.31" (57mm) nom.
	Diffusion Lens	OPT-TRTRPB-DFL Ø2.31" (57mm) nom.
	Diffusion Lens - LED Film	OPT-TRTRPB-L-DFL Ø2.31" (57mm) nom.
	Linear Spread Lens	OPT-TRTRPB-LSL Ø2.31" (57mm) nom.
	Linear Spread Lens - LED Film	OPT-TRTRPB-L-LSL Ø2.31" (57mm) nom.
	Prismatic Spread Lens	OPT-TRTRPB-PSL Ø2.31" (57mm) nom.

* Other filters, colored glass, dichroics & micro-lenses available upon request