

## Warnings:

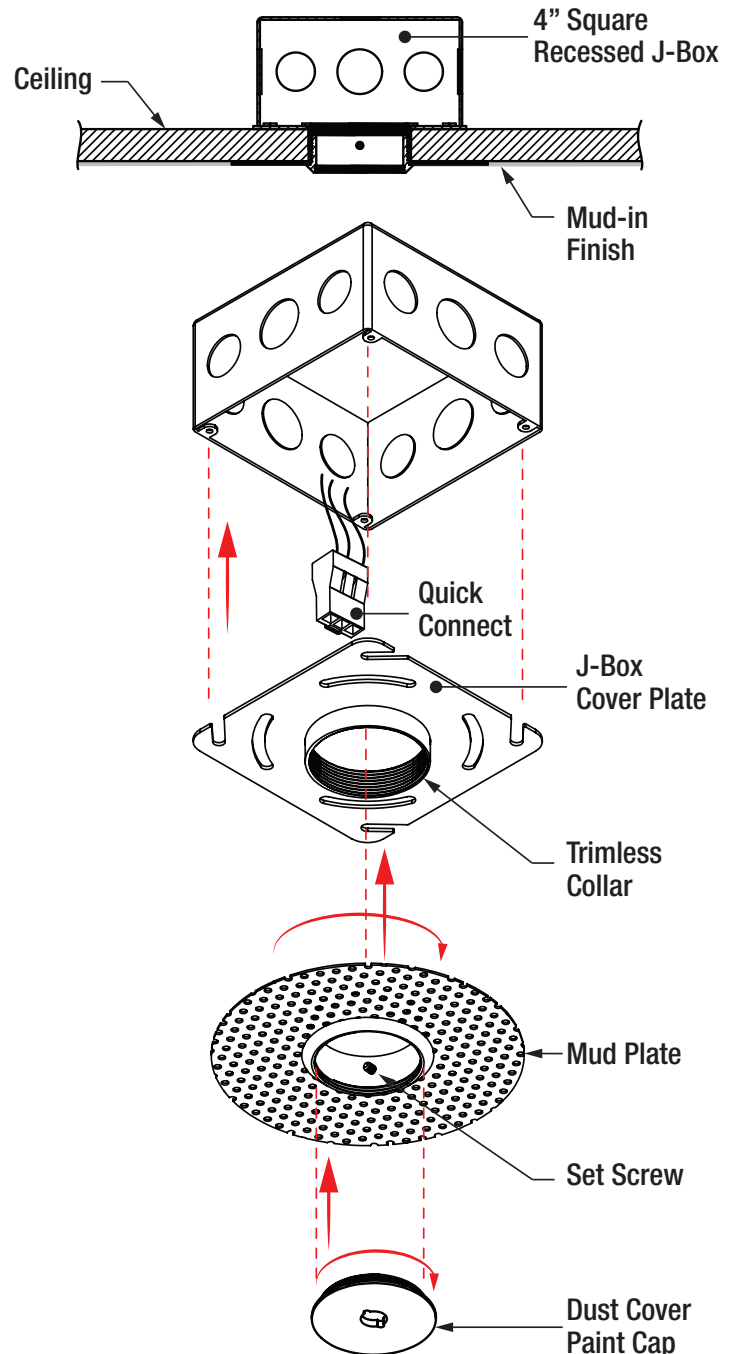
- Risk of fire or electric shock.
- **Disconnect all power before installing or servicing.**
- Installation Instructions for qualified electricians only.
- Install per National Electrical Code and local regulations.
- Read Installation Instructions completely before installation.
- Failure to follow Instructions may void warranties.
- Always use correct lamp type and wattages.



THIS PRODUCT MUST BE INSTALLED IN ACCORDANCE WITH THE APPLICABLE INSTALLATION CODE BY A PERSON FAMILIAR WITH THE CONSTRUCTION AND OPERATION OF THE PRODUCT AND THE HAZARDS INVOLVED.

## TRIMLESS MINIPOINT INSTALLATION:

1. Install junction box above ceiling line. The trimless minipoint mount accommodates for 1/2" thru 3/4" ceiling thickness.
2. Make all necessary power supply connections using quick disconnect hardware provided.
3. Install cover plate.
4. Close ceiling leaving ceiling cut-out of 2.25" (57.15mm).
5. Screw in perforated mud plate to capture ceiling. Once ceiling is captured it is important to tighten the 6-32 x .25" set screw from inside the collar to prevent the mud plate from turning when installing fixture.
6. Screw in dust / paint cover prior to applying mudding compound to prevent dust and debris from entering electrical box.
7. Apply ceiling finish.
8. Sand to reveal dust cover.
9. Paint ceiling taking care not to seal in dust cap.



**NOTE: ALL WORK MUST BE DONE WITH CIRCUIT OFF AND COMPONENTS SHOULD NOT BE INSTALLED WHEN ENERGIZED.**

## Warnings:

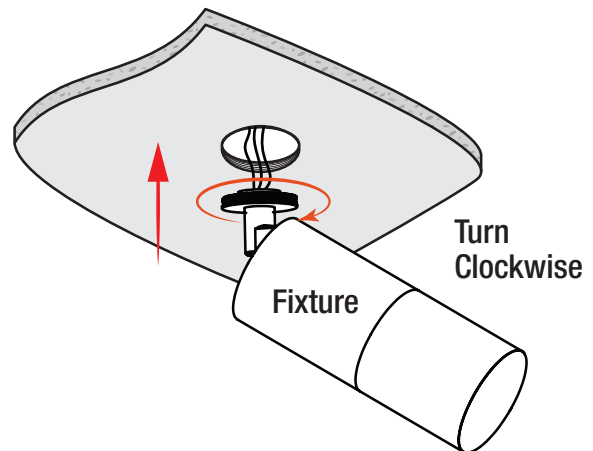
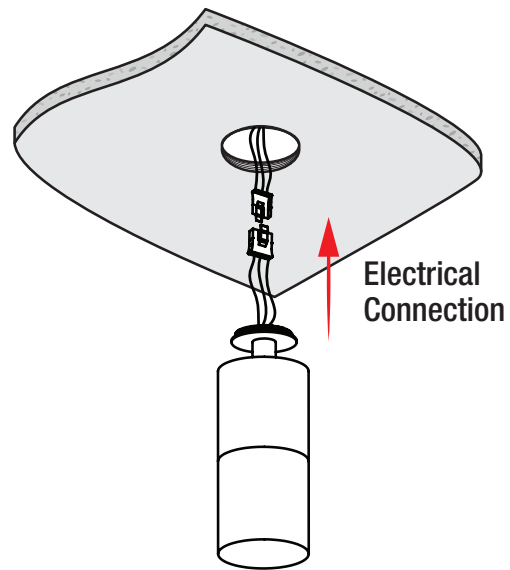
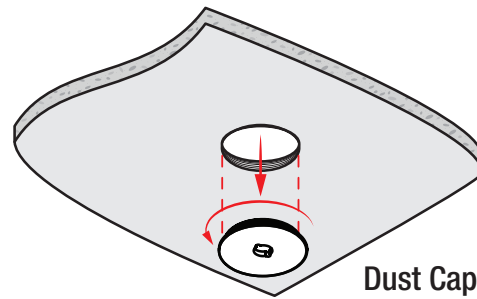
- Risk of fire or electric shock.
- **Disconnect all power before installing or servicing.**
- Installation Instructions for qualified electricians only.
- Install per National Electrical Code and local regulations.
- Read Installation Instructions completely before installation.
- Failure to follow Instructions may void warranties.
- Always use correct lamp type and wattages.



THIS PRODUCT MUST BE INSTALLED IN ACCORDANCE WITH THE APPLICABLE INSTALLATION CODE BY A PERSON FAMILIAR WITH THE CONSTRUCTION AND OPERATION OF THE PRODUCT AND THE HAZARDS INVOLVED.

## MINIPOINT FIXTURE INSTALLATION:

1. Unscrew / remove dust cap.
2. Reach into collar and pull out electrical connector.
3. Plug in fixture.
4. Twist fixture / screw clockwise into collar until tight.



**NOTE: ALL WORK MUST BE DONE WITH CIRCUIT OFF AND COMPONENTS SHOULD NOT BE INSTALLED WHEN ENERGIZED.**

## Warnings:

- Risk of fire or electric shock.
- **Disconnect all power before installing or servicing.**
- Installation Instructions for qualified electricians only.
- Install per National Electrical Code and local regulations.
- Read Installation Instructions completely before installation.
- Failure to follow Instructions may void warranties.
- Always use correct lamp type and wattages.



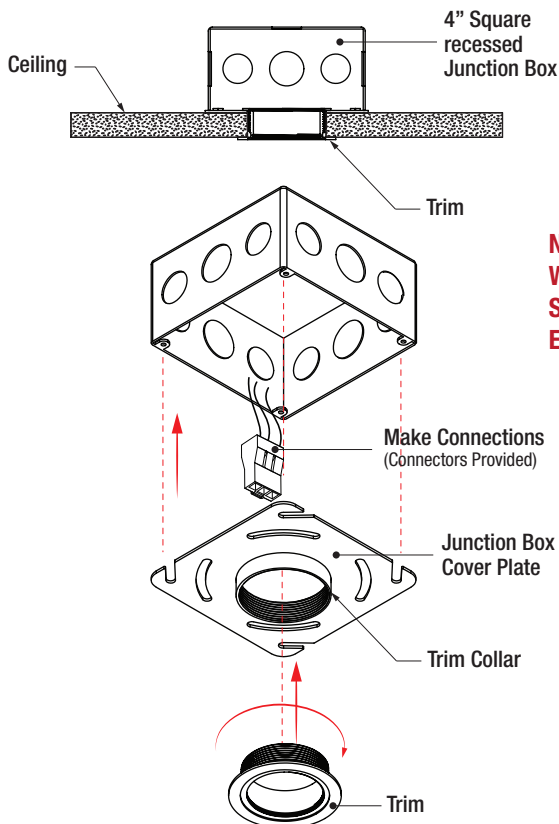
THIS PRODUCT MUST BE INSTALLED IN ACCORDANCE WITH THE APPLICABLE INSTALLATION CODE BY A PERSON FAMILIAR WITH THE CONSTRUCTION AND OPERATION OF THE PRODUCT AND THE HAZARDS INVOLVED.

## TRIMMED MINIPOINT INSTALLATION:

1. Install junction box above ceiling line. The trimmed minipoint mount accommodates for 1/2" thru 3/4" ceiling thickness.
2. Make all necessary power supply connections using quick disconnect hardware provided.
3. Install cover plate.
4. Close ceiling leaving ceiling cut-out of 2.25" (57.15mm).
5. Apply ceiling finish / paint.

## MINIPOINT FIXTURE INSTALLATION:

1. After ceiling finish, crew trim ring into collar
2. Reach into collar and pull out electrical connector.
3. Plug in fixture.
4. Twist fixture / screw clockwise into trim ring until tight.



**NOTE: ALL WORK MUST BE DONE WITH CIRCUIT OFF AND COMPONENTS SHOULD NOT BE INSTALLED WHEN ENERGIZED.**

