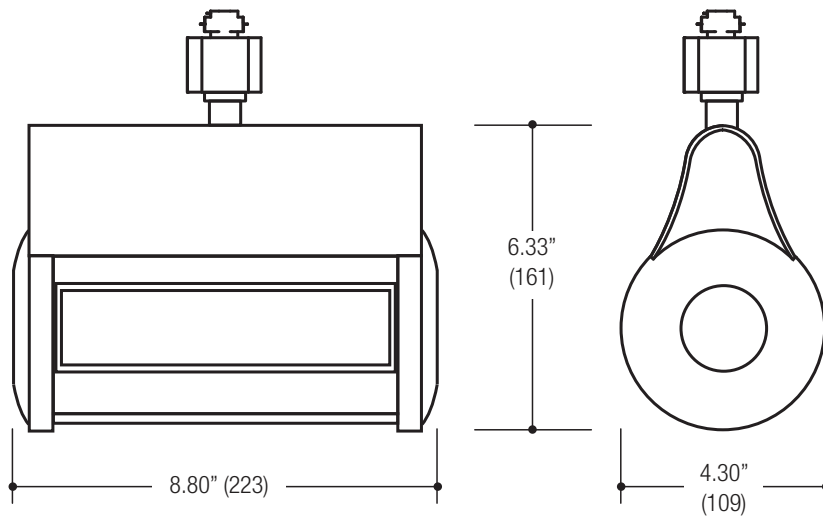
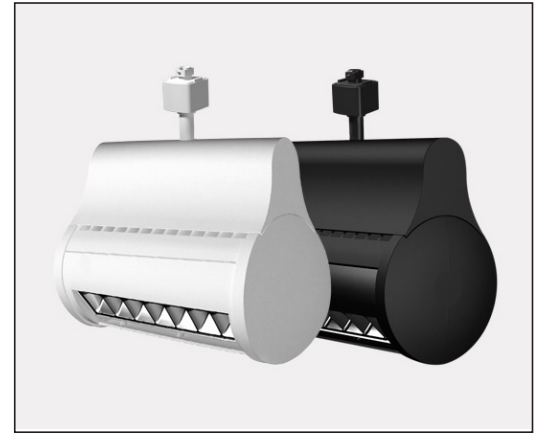


PROJECT	TYPE	CATALOG NUMBER
---------	------	----------------

KYLIE WALLWASH TRACKHEAD



Specifications

TRACKHEAD

- Teardrop shaped trackhead
- 60° x 90° asymmetrical distribution with 25° shielding angle
- 180° vertical tilting / 350° horizontal rotation
- Die cast aluminum heatsink housing
- Optimal thermal dissipation
- Powder coat finish

LED SOURCE

- **CREE**
- 45W / 3600lm (@ 90CRI / 3000K nom.)

ELECTRICAL

- Integral LED driver

MOUNTING

- Compatible with Juno®, Halo®, GES®, TEK®, XTS® or Lightolier®

LABELS

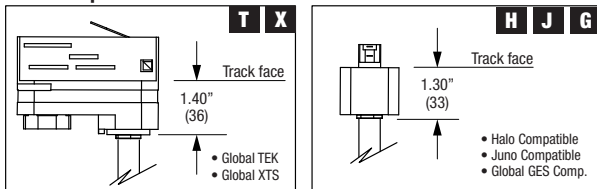
- Suitable for dry location



5 YEAR WARRANTY

Limited

Track Adapters



Halo® is a registered trademark of Cooper Industries,
Juno® is a registered trademark of Juno Lighting,
Global® is a registered trademark of Nordic Aluminium.
Lightolier® is a registered trademark of Philips.

ORDERING INFO

SERIES	ADAPTER	WATTAGE	CRI	COLOR	BEAM ANGLE	POWER SUPPLY	VOLTAGE	FINISH
TRA27-D KYLIE LARGE WALLWASH TRACKHEAD Die-Cast Aluminum Adjustable Wallwash	J Juno® compatible	45C 45W LED 3600lm del. Non-dimmable Delivered Lumens @ 90CRI / 3000K 	90	27 2700	W Wide Reflector Asymmetrical 90° x 60°	LD LED Driver	1 120V 4* 240V * "X" Adapter Only	BB Black WW White AG Aluminum Grey
	G Global® GES compatible			30 3000				
	T Global® TEK compatible			40 4000				
	X Global® XTS compatible			50 5000				
	L Lightolier compatible			65 6500				

Ordering Example: **TRA27-D-J-45C-90-30-W-LD-1-WW**