

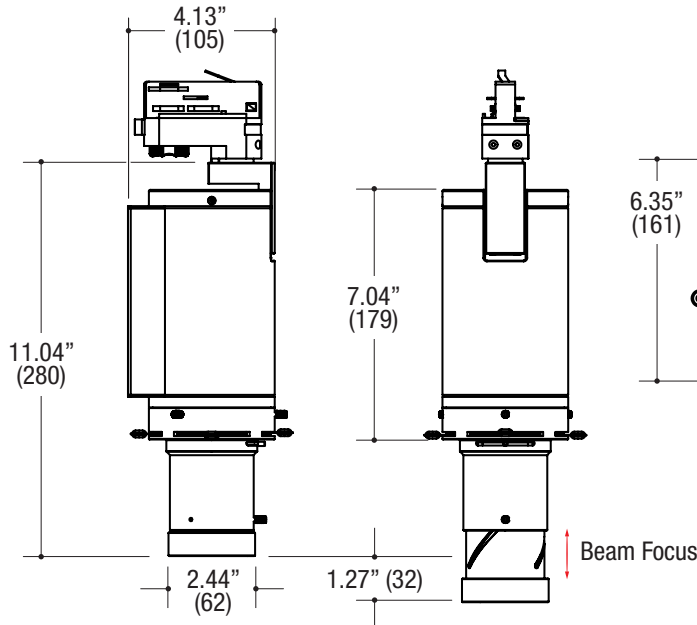
LED

INTEGRAL DRIVER

SMALL

PROJECT	TYPE	CATALOG NUMBER
---------	------	----------------

Measurements in ( ) are metric equivalents.



## Specifications

### PROJECTOR TRACKHEAD

- 0° - 90° vertical tilting / 355° horizontal rotation
- Die cast aluminum head & power supply housing
- Adjustable framing and shutter control
- Crisp image projection with uniform field of light
- Focus for smooth or sharp framing edges
- Powder coat finish

### LED SOURCE



- 30W / 405lm del., 98CRI / 3000K
- Color filters available
- E size gobo compatible

### ELECTRICAL

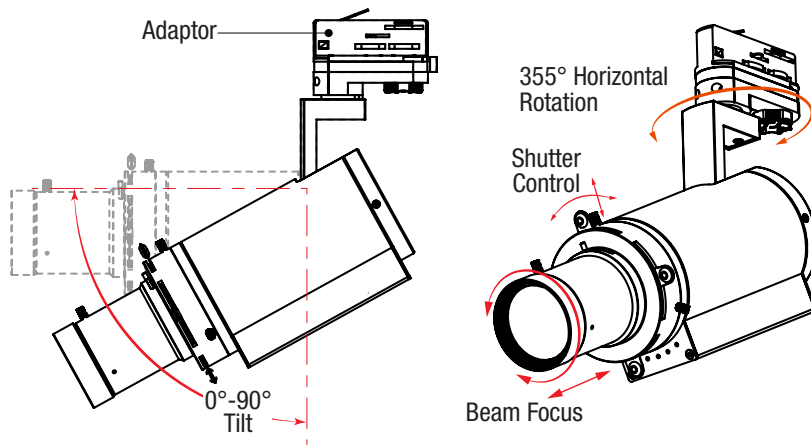
- Integral LED driver
- Dimmable power supply available

### MOUNTING

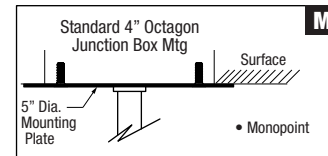
- Compatible with Global® track or direct to junction box

### LABELS

- Suitable for dry location



### Track Adaptor



**5 YEAR WARRANTY**

Limited

### ORDERING INFO

SERIES	ADAPTER	WATTAGE	CRI / COLOR	BEAM	POWER SUPPLY	VOLTAGE	FINISH
<b>TRA26B</b>  EVELYN Projector Small Cylinder Trackhead Die-Cast Aluminum Adjustable Framing and Shutter Control	<b>T</b> Global® TEK compatible <b>K</b> Global® HTEK compatible <b>X</b> Global® XTS compatible <b>M</b> Monopoint  <i>* Global® is a registered trademark of Nordic Aluminium.</i>	<b>30C</b> 30W LED	<b>9830</b> 98CRI / 3000K	<b>N</b> Narrow 16°	<b>LD</b> LED Driver Non-Dimming (277V only) <b>D1</b> TRIAC Phase Dimming (120V only) <b>D2</b> 0-10V Dim Driver (Monopoint Only)	<b>1</b> 120V <b>2</b> 277V (HTEK only) <b>U</b> 120-277V (Monopoint only)	<b>BB</b> Black

Ordering Example: **TRA26B-T-30C-9830-N-D1-1-BB**

©2019 LF ILLUMINATION LLC

We reserve the right to change or withdraw specifications without prior notice.

HEADQUARTERS  
9200 Deering Avenue  
Chatsworth CA 91311

Telephone: 818-885-1335  
Toll Free: 855-885-1335  
Fax: 818-576-1335

www.lfillumination.com  
rev: 041719