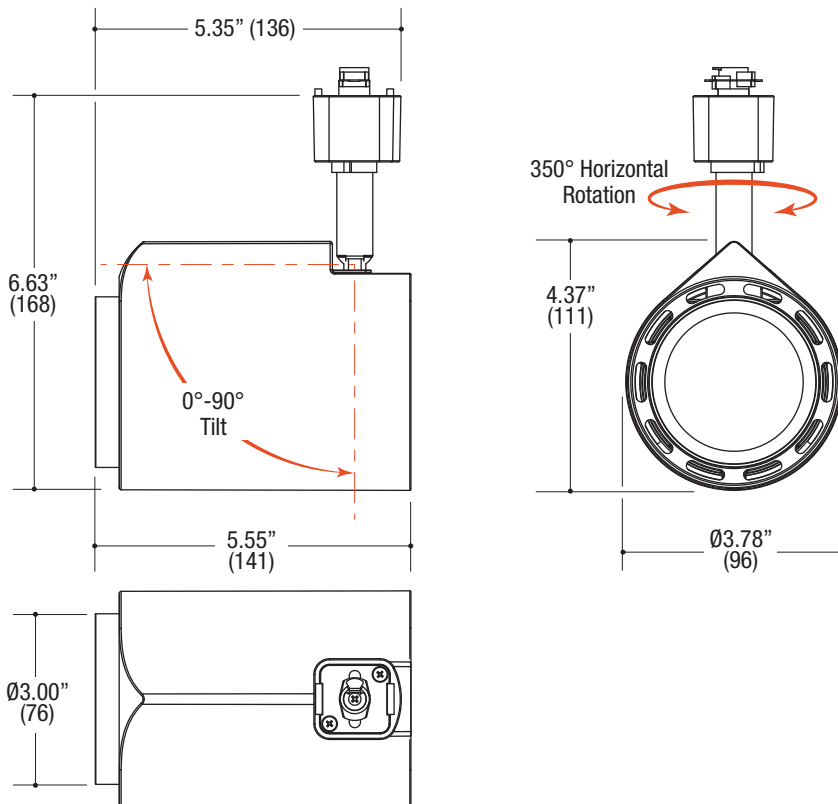


PROJECT	TYPE	CATALOG NUMBER
---------	------	----------------

EMILY Cylindrical Trackhead



Specifications

TRACKHEAD

- Cylinder shaped trackhead
- 0° - 90° vertical tilting / 350° horizontal rotation
- Die cast aluminum heatsink housing
- Optimal thermal dissipation
- Powder coat finish

LED SOURCE

CREE

- Interchangeable optics
- 34W / 3770lm (@ 92CRI / 3000K nom.)

ELECTRICAL

- Integral LED driver

MOUNTING

- Compatible with Juno®, Halo®, GES®, TEK®, XTS® or Lightolier®

LABELS

- Suitable for dry location

*Halo® is a registered trademark of Cooper Industries,
Juno® is a registered trademark of Juno Lighting,
Global® is a registered trademark of Nordic Aluminium.
Lightolier® is a registered trademark of Philips.*



Limited

ORDERING INFO

SERIES	ADAPTER	WATTAGE	CRI	COLOR	BEAM	POWER SUPPLY	VOLTAGE	FINISH
TRA24-D EMILY LARGE TRACKHEAD Die-Cast Aluminum Adjustable Aim	H Halo® compatible J Juno® compatible G Global® GES compatible T Global® TEK compatible X Global® XTS compatible L Lightolier compatible	34C 34W LED 3770lm del. Delivered @ 92CRI / 3000K Narrow Beam 	92	27 2700 30 3000 35 3500 40 4000 50 5000	M Medium Reflector 40° Optional Optics: Narrow: LF# OPT-TRA24D-REFLN 24° Wide: LF# OPT-TRA24D-REFLW 60°	D1 Phase Dimming (120V dimming only)	1 120V 4* 240V * "X" Adapter Only	BB Black WW White SS Silver

Ordering Example: **TRA24-D-J-34C-92-35-M-D1-1-WW**