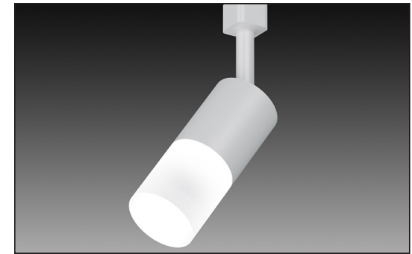
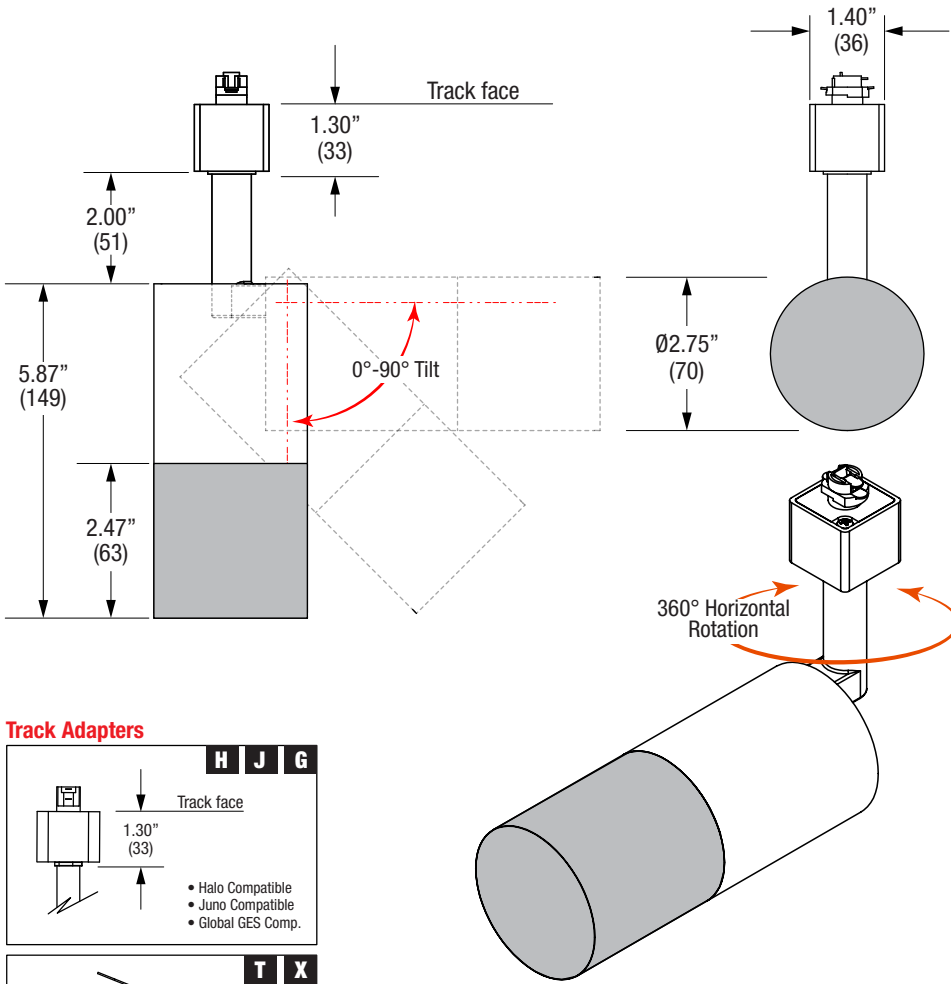


PROJECT	TYPE	CATALOG NUMBER
---------	------	----------------

Measurements in ( ) are metric equivalents.



## Specifications

### TRACKHEAD

- 2.76" diameter cylinder shaped trackhead
- 0° - 90° vertical tilting / 360° horizontal rotation
- Constant friction motion
- Extruded aluminum housing
- Satin acrylic diffuser
- Powder coat finish

### LED SOURCE

- CREE 08W / 600lm (@ 95CRI min / 3000K)

### ELECTRICAL

- Fully integral LED driver
- Phase dimmable power supply
- 1, 2 or 3 circuit track compatible

### MOUNTING

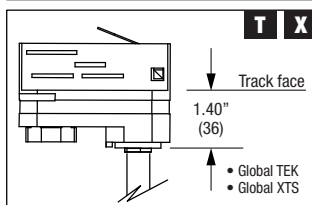
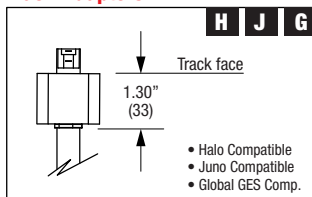
- Compatible with Halo®, Juno®, Global®  
GES track, Global® XTS track,  
Global® TEK track

### LABELS

- Suitable for dry location



### Track Adapters



Halo® is a registered trademark of Cooper Industries,  
Juno® is a registered trademark of Juno Lighting,  
Global® is a registered trademark of Nordic Aluminium.



**5 YEAR WARRANTY**

Limited

## ORDERING INFO

SERIES	ADAPTER	WATTAGE	CRI / COLOR	DIFFUSER	POWER SUPPLY	VOLTAGE	FINISH
<b>TRA21B</b> KATE Trackhead Die-Cast Aluminum Adjustable Aim Acrylic Diffuser	<b>H</b> Halo® compatible* <b>J</b> Juno® compatible* <b>G</b> Global® GES compatible* <b>T</b> Global® TEK compatible <b>X</b> Global® XTS compatible  * One Circuit Compatible Only	<b>08C</b> 08W LED 600 lm nom. 400 lm del.	<b>9530</b> 95CRI / 3000K	<b>X</b> Acrylic Diffuser	<b>D1</b> Phase Dimming	<b>1</b> 120V	<b>BB</b> Black <b>WW</b> White <b>SS</b> Silver  Consult factory for custom colors

Ordering Example: **TRA21B-T-08C-9530-X-D1-1-WW**