

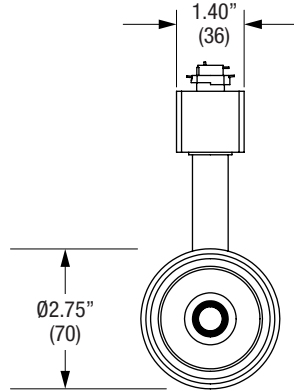
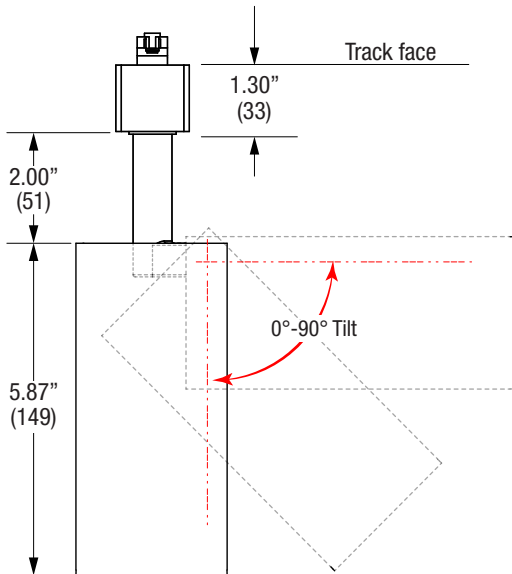
LED

INTEGRAL DRIVER

SMALL

PROJECT	TYPE	CATALOG NUMBER
---------	------	----------------

Measurements in ( ) are metric equivalents.



### Specifications

#### TRACKHEAD

- 2.75" diameter cylinder shaped trackhead
- 0° - 90° vertical tilting / 360° horizontal rotation
- Constant friction
- Die cast aluminum housing
- LED optical grade reflector
- Powder coat finish

#### LED SOURCE

- CREE 13W / 1152lm, (@ 80CRI / 3000K)
- ValuDIM™ Warm dimming
- Field replaceable optics available
- Will accept 1 additional media accessory

#### ELECTRICAL

- Fully integral LED driver
- Phase dimmable power supply

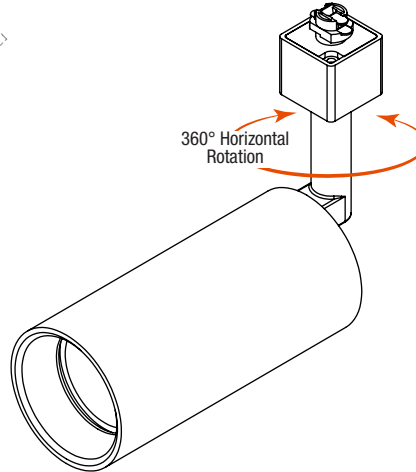
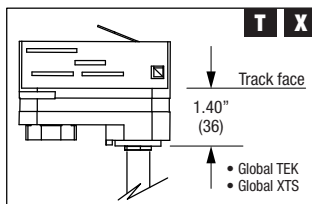
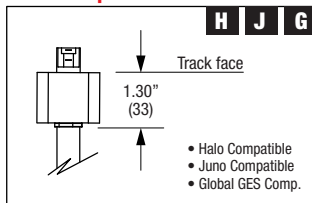
#### MOUNTING

- Compatible with Halo®, Juno®, Global® GES track, Global® XTS track, Global® TEK track

#### LABELS

- Suitable for dry location

#### Track Adapters



Halo® is a registered trademark of Cooper Industries,  
Juno® is a registered trademark of Juno Lighting,  
Global® is a registered trademark of Nordic Aluminium.



ValuDIM™



5 YEAR WARRANTY

Limited

#### ORDERING INFO

SERIES	ADAPTER	WATTAGE	CRI / COLOR	BEAM	POWER SUPPLY	VOLTAGE	FINISH
<b>TRA19B</b>  JULIE Trackhead Die-Cast Aluminum Adjustable Aim	<b>H</b> Halo® compatible* <b>J</b> Juno® compatible* <b>G</b> Global® GES compatible* <b>T</b> Global® TEK compatible <b>X</b> Global® XTS compatible  * One Circuit Compatible Only	<b>13C</b> 13W LED 1152lm delivered  Delivered @ 80CRI / 3000K Narrow Beam	<b>8027</b> 80CRI / 2700K <b>8030</b> 80CRI / 3000K <b>8035</b> 80CRI / 3500K <b>8040</b> 80CRI / 4000K <b>9227</b> 92CRI / 2700K <b>9230</b> 92CRI / 3000K <b>9235</b> 92CRI / 3500K <b>9240</b> 92CRI / 4000K	<b>N</b> Narrow 12° <b>M</b> Medium 25° <b>W</b> Wide 34° <b>V</b> Very Wide 55°	<b>D1</b> Phase Dimming	<b>1</b> 120V	<b>BB</b> All Black <b>WB</b> White with Black Bezel <b>WW</b> All White <b>SB</b> Silver with Black Bezel  Consult factory for custom colors
		<b>ValuDIM™</b> <b>15V</b> 15W LED / 710lm delivered  Delivered @ 92CRI / 3000K Narrow Beam	<b>9220</b> 92CRI / 3000-2000K Warm Dimming (ValuDIM Only)				

Ordering Example: **TRA19B-H-13C-8030-M-D1-1-WW**

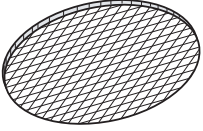
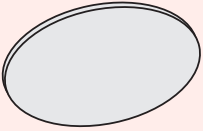
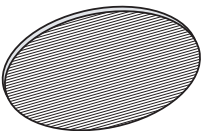
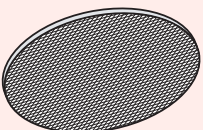
©2018 LF ILLUMINATION LLC

We reserve the right to change or withdraw specifications without prior notice.

HEADQUARTERS  
9200 Deering Avenue  
Chatsworth CA 91311

Telephone: 818-885-1335  
Toll Free: 855-885-1335  
Fax: 818-576-1335

www.lfillumination.com  
STD rev: 101918

OPTICAL ACCESSORY	DESCRIPTION	LIGHT SOURCE
		SMALL
		• 60mm LED
	Hex Cell Louver	OPT-TRA19B-HXL Ø2.36" (60mm) nom.
	Diffusion Lens	OPT-TRA19B-P-DFL Ø2.36" (60mm) nom.
	Linear Spread Lens	OPT-TRA19B-P-LSL Ø2.36" (60mm) nom.
	Prismatic Spread Lens	OPT-TRA19B-P-PSL Ø2.36" (60mm) nom.

\* Other filters, colored glass, dichroics & micro-lenses available upon request