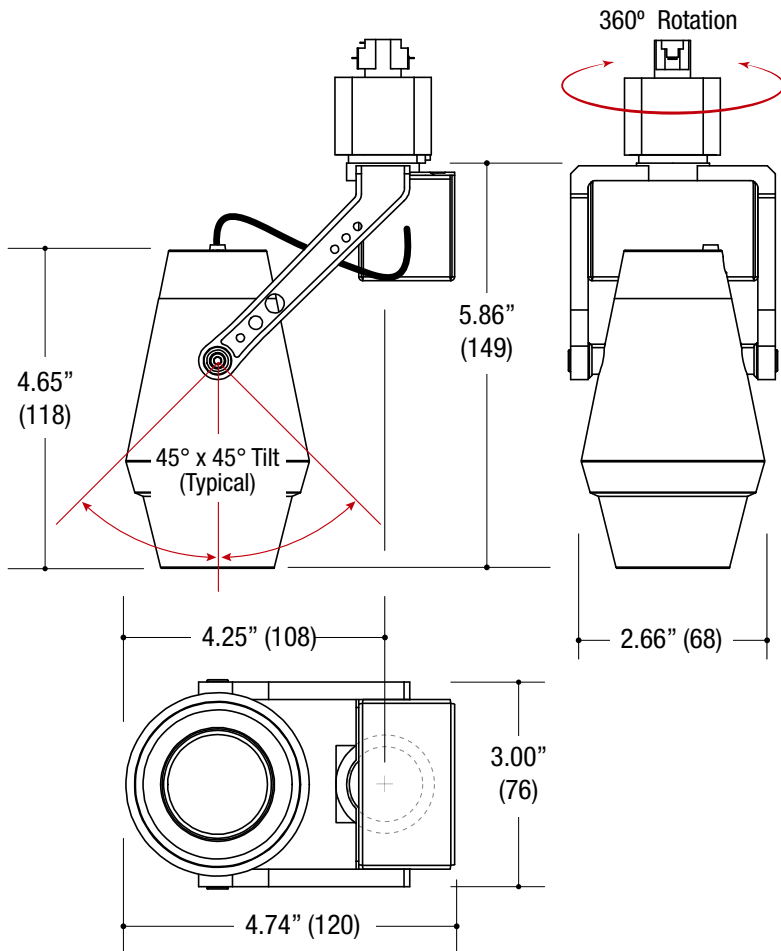


PROJECT	TYPE	CATALOG NUMBER
---------	------	----------------



TRACKHEAD SPOTLIGHT

- 2.66" diameter conical shape
- Closed back
- 45° x 45° tilt adjustment
- 360°+ horizontal rotation
- Die cast aluminum component and optical housing
- Powder coat finish

LAMPS (not included)

- 12V MR16 50W max - Derate Labels Available
- LED Retrofit 15W max - Works with SORAA
- Easy access via front snoot snap-in catch action.
- Accepts up to 2 optical accessories

ELECTRICAL

- Integral electronic transformer
- Dimmable
- 1 or 2 circuit track compatible

MOUNTING

- Compatible with Halo®, Juno®, or Global® track

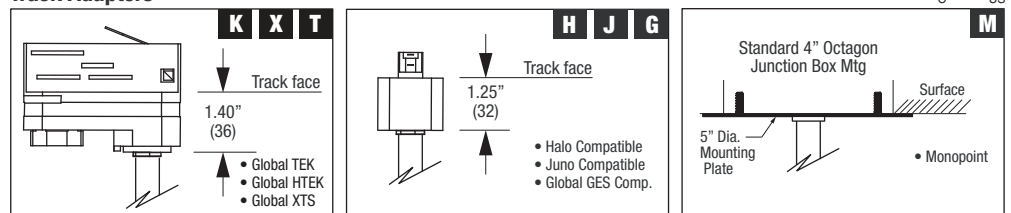
LABELS

- Suitable for dry location



Halo® is a registered trademark of Cooper Industries.
 Juno® is a registered trademark of Juno Lighting.
 Global® is a registered trademark of Nordic Aluminium.

Track Adapters



ORDERING INFO

SERIES	ADAPTER	WATTAGE / LAMP	POWER SUPPLY	VOLTAGE	FINISH
TRA07A SURFER Conical Trackhead Die-Cast Aluminum Adjustable Aim	H Halo® compatible	020MR16X MR16 20W	ET Electronic Transformer	1 120V 2 277V (HTEK only) U 120-277V (Monopoint only)	BB Black WW White SS Silver
	J Juno® compatible	035MR16X MR16 35W			
	G Global® GES compatible	050MR16X MR16 50W			
	T Global® TEK compatible				
	K Global® HTEK compatible	015MR16X MR16 15W LED Retrofit			
	X Global® XTS compatible				
	M Monopoint				

Ordering Example: **TRA07A-H-015M16X-ET-1-WW**