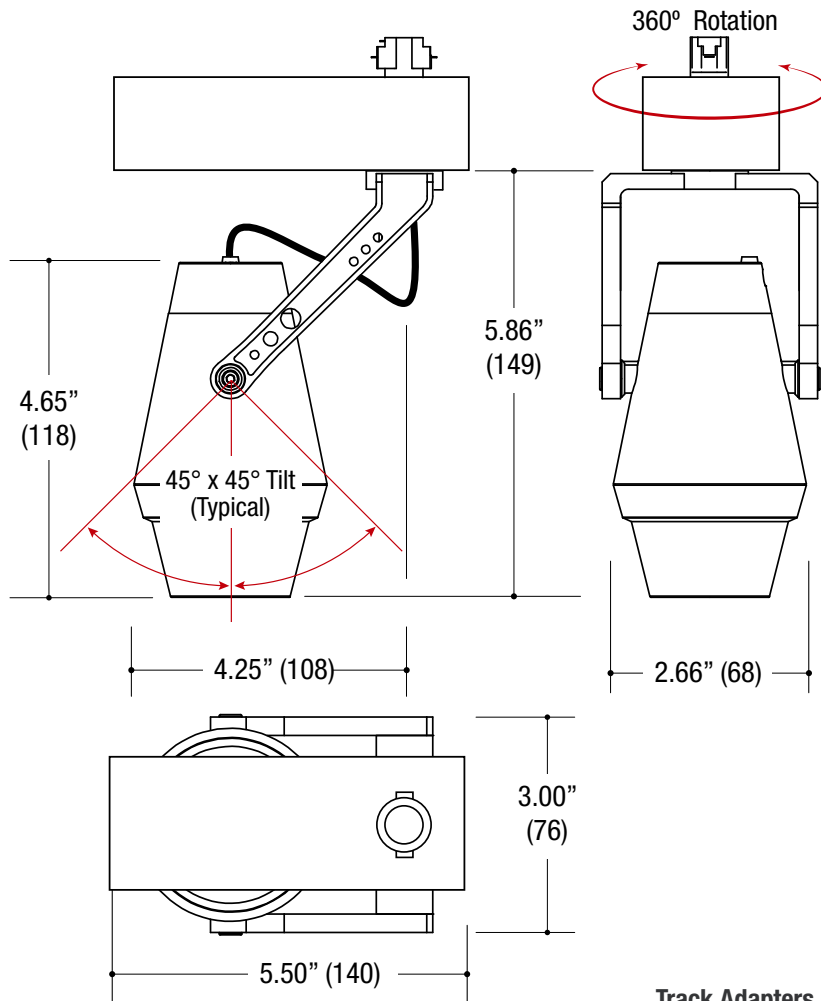


PROJECT	TYPE	CATALOG NUMBER
---------	------	----------------



TRACKHEAD SPOTLIGHT

- 2.66" diameter conical shape
- Closed back
- 45° x 45° tilt adjustment
- 360°+ horizontal rotation
- Die cast aluminum component and optical housing
- Powder coat finish

LAMPS (not included)

- CMHMR16 in 20W or 39W
- Easy access via front snoot snap-in catch action.
- Accepts up to 1 optical accessory

ELECTRICAL

- Integral electronic ballast
- 1 or 2 circuit track compatible

MOUNTING

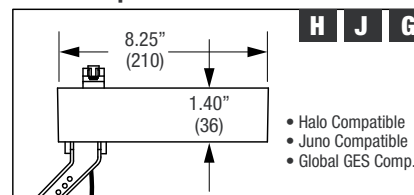
- Compatible with Halo®, Juno®, or Global® GES track

LABELS

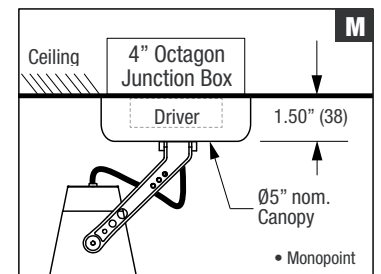
- Suitable for dry location



Track Adapters



Halo® is a registered trademark of Cooper Industries.
 Juno® is a registered trademark of Juno Lighting.
 Global® is a registered trademark of Nordic Aluminum.



ORDERING INFO

SERIES	ADAPTER	WATTAGE / LAMP	POWER SUPPLY	VOLTAGE	FINISH
TRA07A SURFER Conical Trackhead Die-Cast Aluminum Adjustable Aim	H Halo® compatible J Juno® compatible G Global® GES compatible M Monopoint	020CM16X 20W CMHMR16 039CM16X 39W CMHMR16	EB Electronic Ballast	1 120V	BB Black WW White SS Silver

Ordering Example: **TRA07A-H-020CM16X-EB-1-WW**