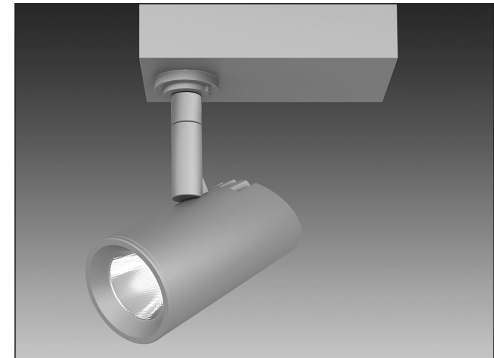
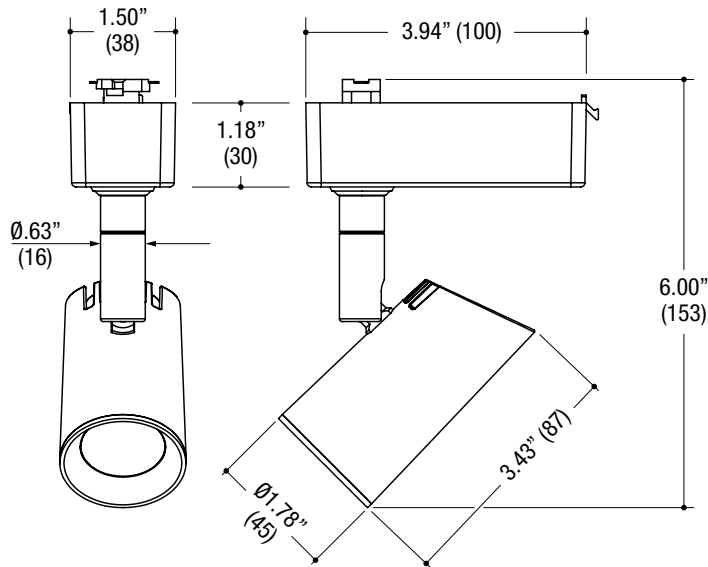


PROJECT	TYPE	CATALOG NUMBER
---------	------	----------------

Measurements in ( ) are metric equivalents.



#### TRACKHEAD

- 1.63" diameter cylinder shaped trackhead
- 0° - 90° vertical tilting / 350° horizontal rotation
- Die cast aluminum heatsink housing
- Optimal thermal dissipation
- Powder coat finish

#### LED SOURCE

- 10W / 700lm, 80CRI / 3000K

#### ELECTRICAL

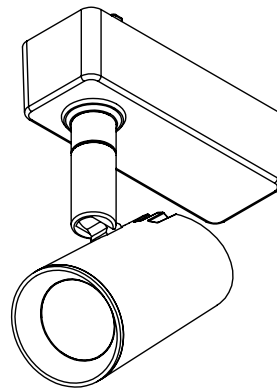
- Integral LED driver / Triac dimmable

#### MOUNTING

- Compatible with Halo®, Juno®, or Global® track

#### LABELS

- Suitable for dry location



Halo® is a registered trademark of Cooper Industries,  
 Juno® is a registered trademark of Juno Lighting,  
 Global® is a registered trademark of Nordic Aluminum.

**5 YEAR WARRANTY**  
 Limited



#### ORDERING INFO

SERIES	ADAPTER	WATTAGE	CRI / COLOR	BEAM	POWER SUPPLY	VOLTAGE	FINISH
<b>TRA03B</b>	<b>H</b> Halo® compatible <b>J</b> Juno® compatible <b>G</b> Global® GES compatible	<b>10L</b> 10W LED (Passive) 700lm nom.	<b>8030</b> 80CRI / 3000K <b>8040</b> 80CRI / 4000K <b>8050</b> 80CRI / 5000K  2700K or 90CRI versions available upon request	<b>N</b> Narrow 16° <b>M</b> Medium 24° <b>W</b> Wide 34°	<b>D1</b> Phase Dimming (120V Triac dimming only)	<b>1</b> 120V	<b>BB</b> Black <b>WW</b> White <b>SS</b> Silver
<b>JAMIE</b> <b>Cylinder Trackhead</b> Die-Cast Aluminum Adjustable Aim							

Ordering Example: **TRA03B-H-10L-8030-N-D1-1-WW**

©2018 LF ILLUMINATION LLC

We reserve the right to change or withdraw specifications without prior notice.

HEADQUARTERS  
 9200 Deering Avenue  
 Chatsworth CA 91311

Telephone: 818-885-1335  
 Toll Free: 855-885-1335  
 Fax: 818-576-1335

[www.lfillumination.com](http://www.lfillumination.com)  
 rev: 122018