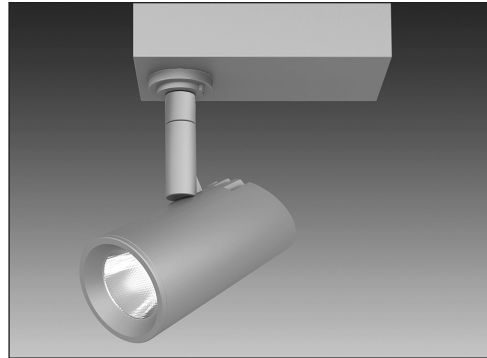
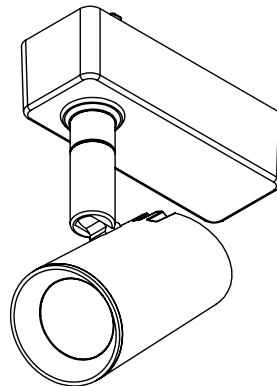
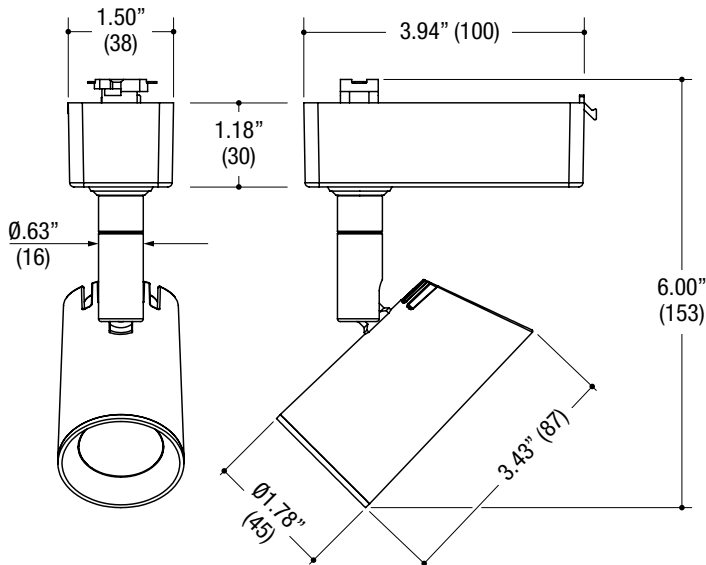


PROJECT	TYPE	CATALOG NUMBER
---------	------	----------------

Measurements in ( ) are metric equivalents.



**TRACKHEAD**

- 1.63" diameter cylinder shaped trackhead
- 0° - 90° vertical tilting / 350° horizontal rotation
- Die cast aluminum heatsink housing
- Optimal thermal dissipation
- Powder coat finish

**LED SOURCE**

- 10W / 700lm, 80CRI / 3000K

**ELECTRICAL**

- Integral LED driver / Triac dimmable

**MOUNTING**

- Compatible with Halo®, Juno®, or Global® track

**LABELS**

- Suitable for dry location

Halo® is a registered trademark of Cooper Industries,  
 Juno® is a registered trademark of Juno Lighting,  
 Global® is a registered trademark of Nordic Aluminum.



**ORDERING INFO**

SERIES	ADAPTER	WATTAGE	CRI / COLOR	BEAM	POWER SUPPLY	VOLTAGE	FINISH
<b>TRA03B</b>  JAMIE Cylinder Trackhead Die-Cast Aluminum Adjustable Aim	H Halo® compatible* J Juno® compatible* G Global® GES compatible*	<b>10L</b> 10W LED (Passive) 700lm nom.	<b>8030</b> 80CRI / 3000K <b>8040</b> 80CRI / 4000K <b>8050</b> 80CRI / 5000K	<b>N</b> Narrow 16° <b>M</b> Medium 24° <b>W</b> Wide 34°	<b>D1</b> Phase Dimming (120V Triac dimming only)	<b>1</b> 120V	<b>BB</b> Black <b>WW</b> White <b>SS</b> Silver
	* One Circuit Compatible Only		2700K or 90CRI versions available upon request				

Ordering Example: **TRA03B-H-10L-8030-N-D1-1-WW**