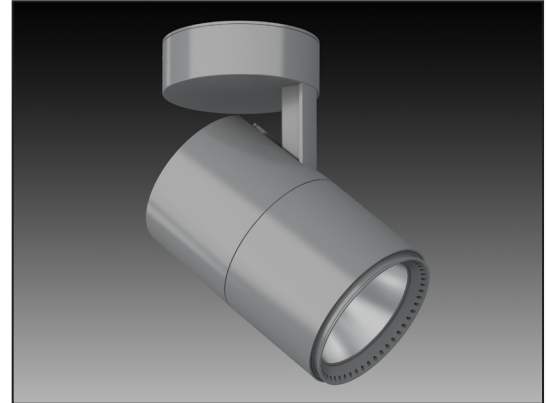
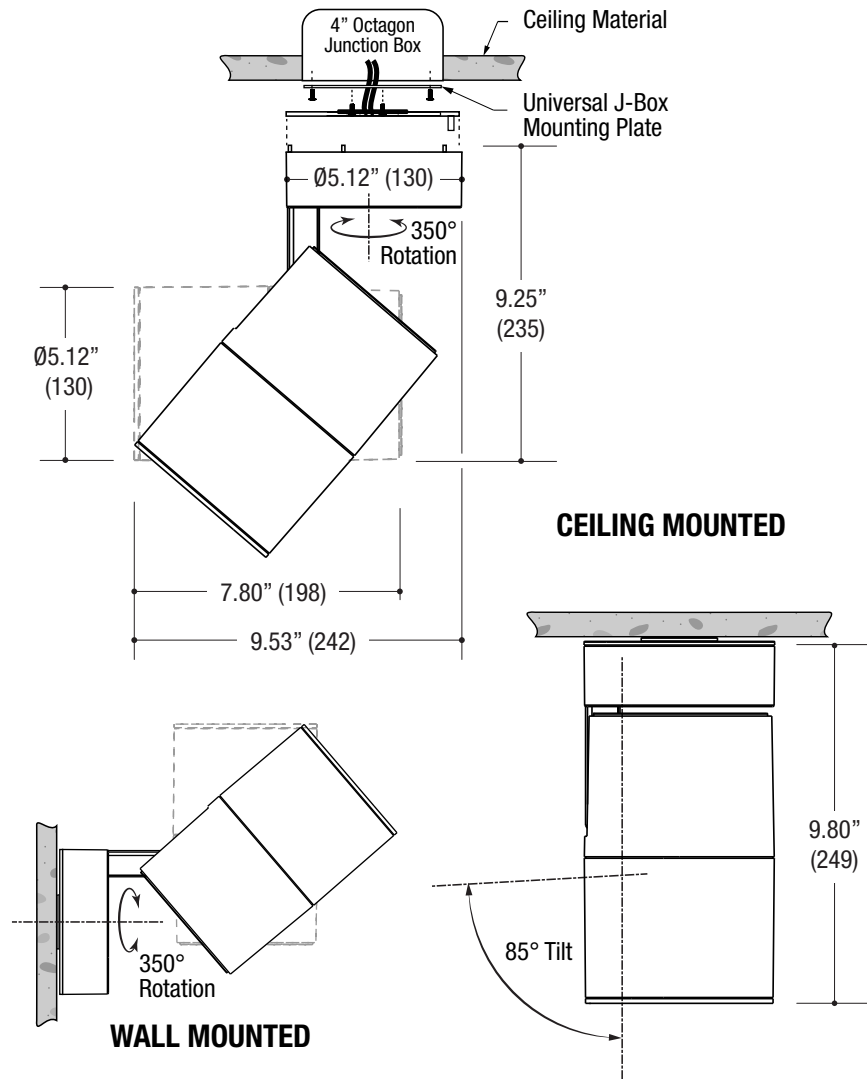


PROJECT	TYPE	CATALOG NUMBER
---------	------	----------------



CYLINDRICAL SPOTLIGHT

- 5.12" diameter simple cylinder shaped
- 0° - 85° vertical tilting / 350° horizontal rotation
- Die cast aluminum head & power supply housing
- LED optical grade metalized polycarbonate reflector
- Easy LED & reflector access via removable front ring with twist-lock action fitting
- Powder coat finish

LED SOURCE

- Field replaceable LED
- 35W / 3400lm, 80CRI / 3000K
- Accepts up to 2 optical accessories
- 3 Step MacAdams (3 SDMC)

ELECTRICAL

- Integral LED driver
- Dimmable power supply available

MOUNTING

- Standard ceiling mount configuration
- Universal J-box mounting plate
- J-box cover plate

LABELS

- Suitable for damp location

ORDERING INFO

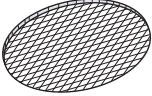
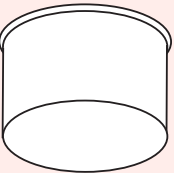
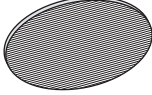
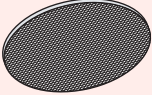
SERIES	WATTAGE	CRI / COLOR	BEAM	POWER SUPPLY	VOLTAGE	FINISH
3921-C	35L 35W LED 3400 lm nom.	8027 80CRI / 2700K 8030 80CRI / 3000K 8035 80CRI / 3500K 8040 80CRI / 4000K 9027 90CRI / 2700K 9030 90CRI / 3000K 9035 90CRI / 3500K 9040 90CRI / 4000K 9727 97CRI / 2700K 9730 97CRI / 3000K	N Narrow 16° M Medium 30° W Wide 40°	LD LED Driver D1 Phase Dimming 120V D2 0-10V Dimmable	1 120V U 120-277V	BB Black WW White SS Silver

Ordering Example: **3921-C-35L-8030-N-D1-1-WW**

3STEP
MacAdams

5 YEAR
WARRANTY
Limited



OPTICAL ACCESSORY	DESCRIPTION	LIGHT SOURCE
		• LED
	Hex Cell Louver	OPT-3921C-HXL
	Snoot - All White	OPT-3921C-SNW
	Snoot - All Black	OPT-3921C-SNB
	Snoot - White with Black Splay	OPT-3921C-SNWB
	Diffusion Film	OPT-3921C-L-DFL
	Linear Spread Film	OPT-3921C-L-LSL

* Other filters, colored glass, dichroics & micro-lenses available upon request