

Warnings:

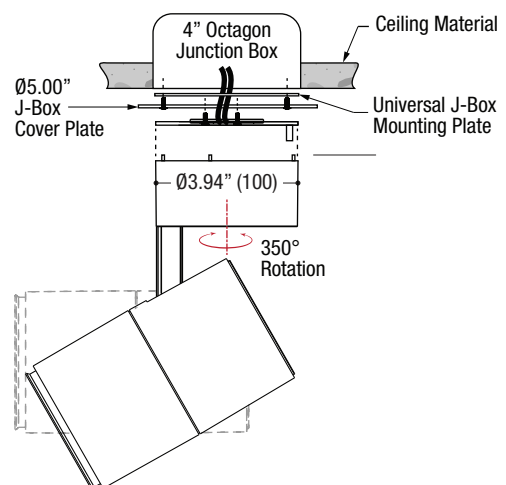
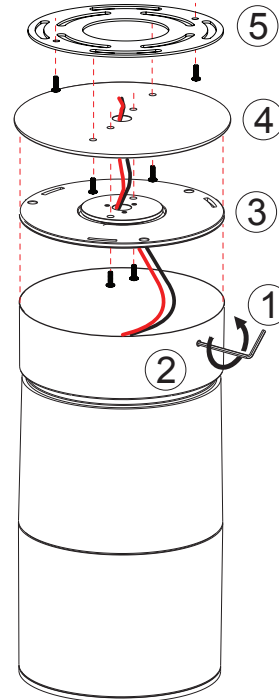
- Risk of fire or electric shock.
- **Disconnect all power before installing or servicing.**
- Installation Instructions for qualified electricians only.
- Install per National Electrical Code and local regulations.
- Read Installation Instructions completely before installation.
- Failure to follow Instructions may void warranties.
- Always use correct lamp type and wattages.



THIS PRODUCT MUST BE INSTALLED IN ACCORDANCE WITH THE APPLICABLE INSTALLATION CODE BY A PERSON FAMILIAR WITH THE CONSTRUCTION AND OPERATION OF THE PRODUCT AND THE HAZARDS INVOLVED.

COMPONENT ASSEMBLY:

1. Completely remove Set-Screw from upper housing #2.
Tool supplied #1.
2. Turn upper housing top plate #3 counter clockwise to disengage from upper housing #2.
3. Remove the two screws from the housing top plate #3 to separate from the J-box cover plate #4. This will allow access to mounting the cover plate to the J-box universal mounting bracket #5.
4. Mount the Universal J-box mounting bracket #5 to the J-box.
5. Make all necessary electrical connections.
6. Mount the J-box cover plate #4 to the J-box mounting bracket #5.
7. Remount the housing top plate #3 to the J-box cover plate #4.
8. Remount the housing #2 to the housing top plate #3. Turn housing clockwise to engage to top plate #3 and tighten set-screw #1.



NOTE: ALL WORK MUST BE DONE WITH CIRCUIT OFF AND COMPONENTS SHOULD NOT BE INSTALLED WHEN ENERGIZED.