

Warnings:

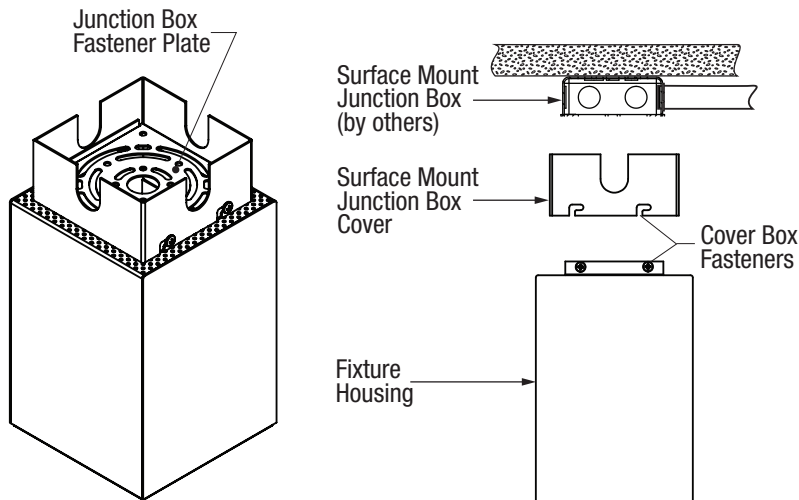
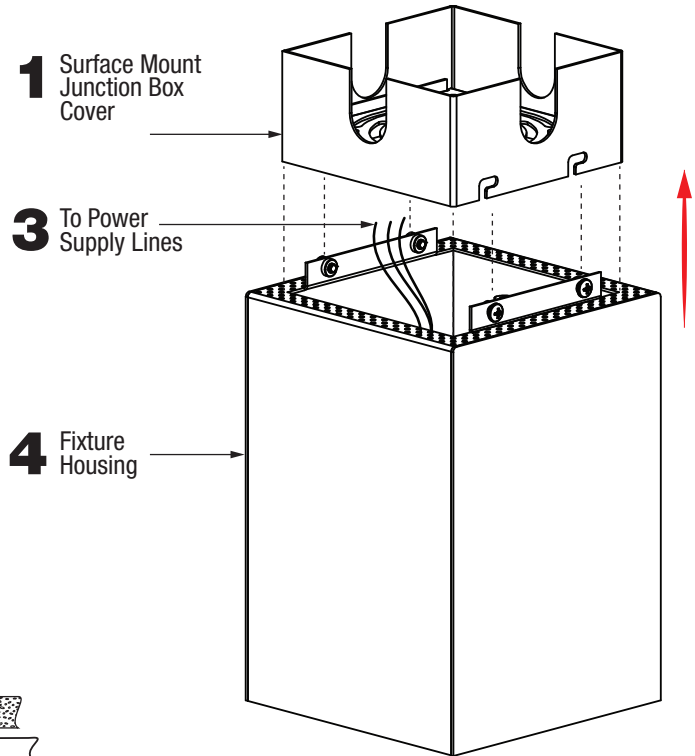
- Risk of fire or electric shock.
- **Disconnect all power before installing or servicing.**
- Installation Instructions for qualified electricians only.
- Install per National Electrical Code and local regulations.
- Read Installation Instructions completely before installation.
- Failure to follow Instructions may void warranties.
- Always use correct lamp type and wattages.



THIS PRODUCT MUST BE INSTALLED IN ACCORDANCE WITH THE APPLICABLE INSTALLATION CODE BY A PERSON FAMILIAR WITH THE CONSTRUCTION AND OPERATION OF THE PRODUCT AND THE HAZARDS INVOLVED.

FIXTURE INSTALLATION:

1. Unscrew junction box cover from housing.
2. Feed power supply lines through the surface mount junction box cover. Fasten cover to the junction box.
3. Make all necessary electrical connections .
4. Slide the fixture housing into the junction cover box and securely refasten housing.



NOTE: ALL WORK MUST BE DONE WITH CIRCUIT OFF AND COMPONENTS SHOULD NOT BE INSTALLED WHEN ENERGIZED.

It is IMPORTANT TO READ instruction sheet completely before installation.