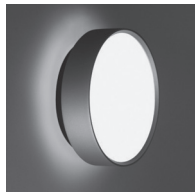


| | | |
|---------|------|----------------|
| PROJECT | TYPE | CATALOG NUMBER |
|---------|------|----------------|



5711-SRF

ROUND SURFACE MOUNT
Die-Cast Aluminum Frame



Back Light Colors

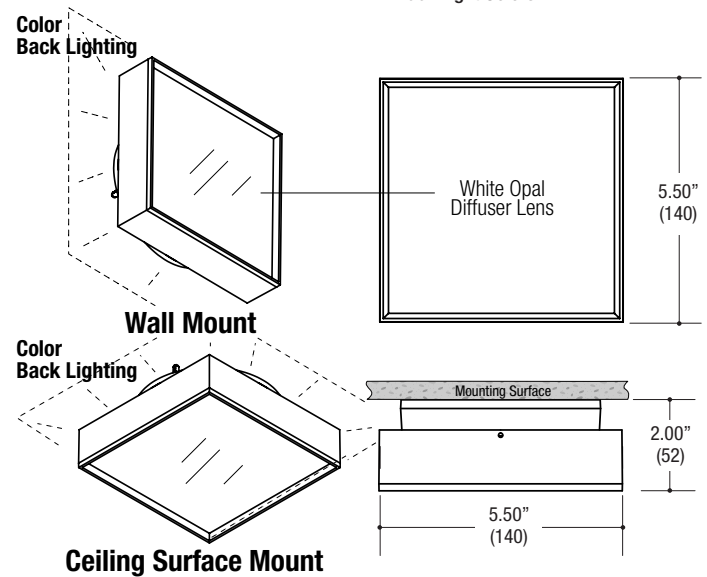
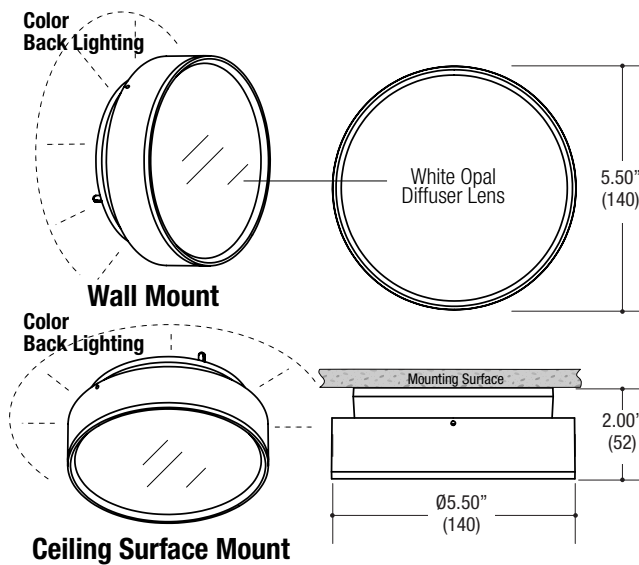


5712-SRF

SQUARE SURFACE MOUNT
Die-Cast Aluminum Frame



Back Light Colors



SURFACE MOUNT HOUSING

- Wall or Ceiling Surface mount
- Satin opal acrylic front diffuser lens
- Die-cast aluminum lens frame
- Powder coat finish

BACK LIGHTING DIFFUSER

- Injection molded translucent plastic
- Clear back lighting disc provided
- Back lighting disc color options (See below)

LED SOURCE

- Field replaceable LED
- Field-changeable optic
- 3W / 180lm, 80CRI / 3000K
- 3W / 195lm, 80CRI / 4000K

ELECTRICAL

- Driver, junction box mounted
- Field replaceable driver

MOUNTING

- Direct to junction box
- ADA compliant

LABELS

- Suitable for damp location
- IP20 rated

5 YEAR WARRANTY

Limited



ORDERING INFO

| SERIES | WATTAGE | CRI / COLOR | BEAM | DRIVER | VOLTAGE | FINISH | BACK LIGHT COLOR |
|--|-------------------|----------------------------------|---------------|----------------------|---------------|-------------------------------------|--|
| 5711-SRF ROUND Die-Cast Alumn Frame | 03L 3W LED | 8030 80CRI / 3000K, 180lm | W Wide | LD LED Driver | 1 120V | WW White SS Silver | CL Clear GR Green OR Orange PI Pink PP Purple |
| 5712-SRF SQUARE Die-Cast Alumn Frame | | | | | | | |

Ordering Example: **5711-SRF-03L-8030-W-LD-1-WW-CL**